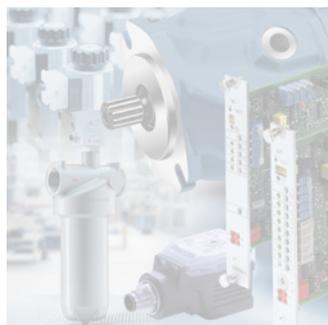


GoTo™ North America Focused Delivery Program Hydraulics



World-class technology without the wait

Whether you're designing and building machines, implementing them in your factory, or servicing them, the GoTo Program is ready to work for you.

GoTo Product Overviews



► **Electric Drives and Controls**



► **Tightening Technology**



► **Industrial and Mobile Hydraulics**

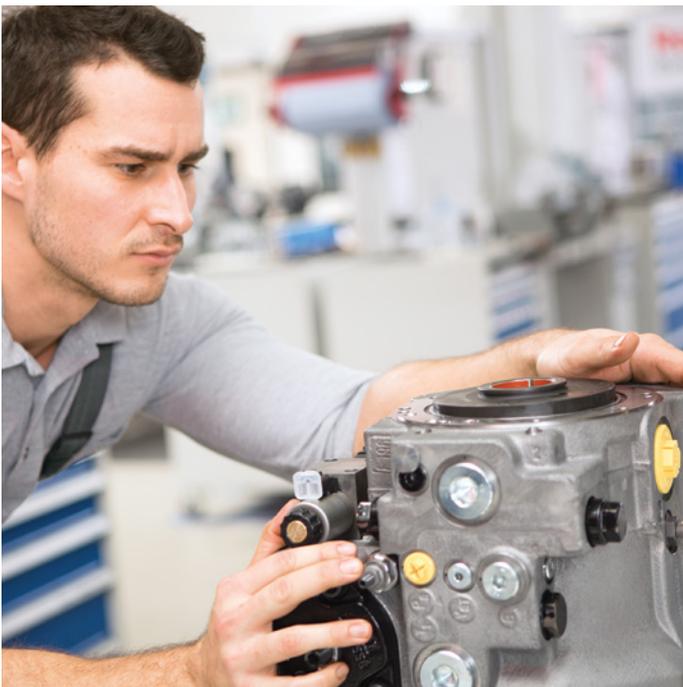


► **Linear Motion Technologies**



► **Assembly Technologies**

The GoTo Focused Delivery Program offers a targeted selection of our high-demand products with short lead times and high availability. As a result, you receive your products quickly and reliably, allowing you to be agile and responsive in your own markets.



You benefit from simplified access to product information, preferred order processing and reduced delivery times. This allows you to complete your machine or system on schedule.

Our GoTo product overviews, whether in printed form or on the Internet, show you the complete portfolio. In addition, our web pages quickly provide you with additional information on the respective product, on the technical data as well as on ordering.

www.boschrexroth-us.com/gotoEDC

www.boschrexroth-us.com/gotoTighteningSystems

www.boschrexroth-us.com/gotoHydraulics

www.boschrexroth-us.com/gotoLinear

www.boschrexroth-us.com/gotoFraming

Hydraulics GoTo Catalog

Bosch Rexroth is pleased to present our Hydraulics GoTo Product catalog as part of our GoTo Focused Delivery Program.

The GoTo Focused Delivery Program streamlines everything to make it easier for you to get a selection of our most popular Rexroth products faster. You'll benefit from quicker access to product information, reliable lead times that meet or beat the expectations of the market, and enhanced customer service.

The same GoTo product portfolio is now available in the United States, Canada, and Mexico. With the same quantities and lead times (from order acceptance to shipment in business days), GoTo is even easier to use.

For additional information on the GoTo Program and a complete list of other quality Rexroth products available in the Focused Delivery Program just go to:

USA: www.boschrexroth-us.com/GoTo

Canada: www.boschrexroth.ca/GoTo

Mexico: www.boschrexroth.com.mx/GoTo



GoTo Focused Delivery Program

Your local GoTo contact:

GoTo Program Delivery Conditions

How to place a GoTo order directly with Bosch Rexroth

Please clearly state “GoTo” on the purchase order, and ensure that all GoTo items are within the maximum GoTo quantity.

For products with a published lead time of one (1) business day, the ship date will be the following day, provided:

- the following day is a business day
- the order is placed by 1 PM (EST)

The contents of a GoTo order may not ship as a complete delivery and will not be shipped via the customer defined consolidation point / day.

All items subject to prior sale. It is advisable to confirm critical delivery requirements at time of order. All sales subject to Bosch Rexroth Terms & Conditions of sales for your country, which you can read at:

www.boschrexroth-us.com or
www.boschrexroth.ca or
www.boschrexroth.com.mx

Bosch Rexroth reserves the right to make program changes at any time without notice.

WARNING!

Failure, improper selection or improper use of the products and/or systems described herein or of related items may cause personal injury or property damage.

This document and other information from Bosch Rexroth Corporation, Bosch Rexroth Canada Corporation, and Bosch Rexroth S.A. de C.V., including its divisions, provide products and/or system options for further investigation by users having technical expertise. It is important that you analyze all aspects of your application and review the information concerning the products or systems in Rexroth’s Data Sheets. Due to the variety of operating conditions and applications for these products or systems, the user, through his own analysis and testing, is solely responsible for making the final selection of the products and systems, and assuring that all performance, safety and warning requirements are met.

The products described herein, including without limitation, product features, specifications, designs and pricing are subject to change at anytime without notice.

Table of Contents

Pumps	6
Motors	44
Check Valves	60
Directional Valves	69
Pressure Control Valves	96
Flow Control Valves	111
Proportional Valves	116
Manifolds	160
Proportional Electronics	166
Mobile Electronics	196
Mobile Controls	208
Compact Hydraulics	211
Power Packs and Motor Pump Groups	325
Accumulators	331
Filtration Systems	339
Accessories	369
Aftermarket Parts	380

Liability:

In no event can the manufacturer accept warranty claims or liability claims for damages resulting from improper use or misuse of the equipment or as a result of changes made to the equipment other than those authorized by the manufacturer. The manufacturer will accept no claim in which non-original spare parts have been used.

©2017, Bosch Rexroth Corporation

All rights are held by ROBERT BOSCH GMBH, BOSCH REXROTH CORPORATION, BOSCH REXROTH CANADA CORPORATION, and BOSCH REXROTH S.A. de C.V. also regarding patent claims. We reserve the right to make technical changes at any time without notice.

GoTo Focused Delivery Program: Pumps

Variable displacement pumps

A1VO (Series 10)



The A1VO is a variable displacement axial piston pump in swash-plate design for load sensing hydraulic circuits in the smaller classes of mobile working machinery. This cost-saving alternative to the traditional constant pump facilitates a simple, economical switch to a load sensing system that reduces fuel consumption by thousands of gallons over its service life. Its compact size and adaptability make it suitable for a wide array of mobile machines including tractors, forklifts and commercial vehicles.

For complete engineering and design information:
GoTo www.boschrexroth-us.com/GoToPumps

Features

- Significant fuel savings of up to 15% compared to fixed systems
- Optimized efficiency, though same power at less fuel consumption
- Compact design with controller and connections integrated into port plate
- High flexibility: Pumps can be combined using interchangeable through-drive adapter
- Maximum flow of 105 l/min thanks to high self-suction speeds

Detailed information:

- RE92650

Technical Data

Size			35	
Nominal pressure	p_N	bar (psi)	250 (3600)	
Peak pressure	p_{max}	bar (psi)	280 (4000)	
Displacement	$V_{g\ max}$	cm ³ (in ³)	35 (2.1)	
Speed	n_{max}	rpm	3000	
Flow	at n_{max}	$q_{V\ max}$ l/min (gpm)	105 (27.7)	
Power	$\Delta p = 250\ \text{bar (3600 PSI)}$	P_{max}	kW	44
Torque	$\Delta p = 250\ \text{bar (3600 PSI)}$	T_{max}	Nm (lb-ft)	139 (102.5)
Weight (approx.)	m	kg (lbs)	18.4 (40.6)	

Part Number	Description	Max. Quantity	Shipment (Business Days)
R902549741	A1VO035DRS0C200/10BLVB2S41000000-0	10	10
R986901177	A1VO035DRS0C200/10BLVB2S41A2S200	10	10
R986901185	A1VO035DRS0C200/10BLVB2S41A2S200	10	10
R986901181	A1VO035DRS0C200/10BLVB2S41A2S300	10	10
R986901189	A1VO035DRS0C200/10BLVB2S41B2S400	10	10
R986901193	A1VO035DRS0C200/10BLVB2S41B2S500	10	10
R902549738	A1VO035DRS0C200/10BLVB2S51000000-0	10	10
R986901178	A1VO035DRS0C200/10BLVB2S51A2S200	10	10
R986901186	A1VO035DRS0C200/10BLVB2S51A2S200	10	10
R986901182	A1VO035DRS0C200/10BLVB2S51A2S300	10	10
R986901190	A1VO035DRS0C200/10BLVB2S51B2S400	10	10
R986901194	A1VO035DRS0C200/10BLVB2S51B2S500	10	10
R902549736	A1VO035DRS0C200/10BRVB2S41000000-0	10	10
R986901179	A1VO035DRS0C200/10BRVB2S41A2S200	10	10
R986901187	A1VO035DRS0C200/10BRVB2S41A2S200	10	10
R986901183	A1VO035DRS0C200/10BRVB2S41A2S300	10	10
R986901191	A1VO035DRS0C200/10BRVB2S41B2S400	10	10
R986901195	A1VO035DRS0C200/10BRVB2S41B2S500	10	10
R902549737	A1VO035DRS0C200/10BRVB2S51000000-0	10	10
R986901180	A1VO035DRS0C200/10BRVB2S51A2S200	10	10
R986901188	A1VO035DRS0C200/10BRVB2S51A2S200	10	10
R902560883	A1VO035DRS0C200/10BRVB2S51A2S200-0	10	10
R986901184	A1VO035DRS0C200/10BRVB2S51A2S300	10	10
R986901192	A1VO035DRS0C200/10BRVB2S51B2S400	10	10
R986901196	A1VO035DRS0C200/10BRVB2S51B2S500	10	10

1) "Shipment" defined as – not to exceed the time from receipt of order to Bosch Rexroth Hydraulics to shipment ex-factory (Bosch Rexroth plant location).

GoTo Focused Delivery Program: Pumps

Variable displacement pumps

A10V(S)O & (A)A10VSO (Series 31)



Variable displacement axial piston pump (A)A10V(S)O, Series 31 in swashplate design is available for open circuit applications. It can be used in both mobile and industrial applications. Flow is proportional to the drive speed and the displacement. By adjusting the position of the swashplate, it is possible to steplessly vary the flow. Multiple forms of pressure, flow or electrohydraulic controls are available.

For complete engineering and design information:
GoTo www.boschrexroth-us.com/GoTopumps

Features

- Sizes 10 to 140
- Axial piston swashplate design
- Open circuit
- Series 31 (sizes 18, 28, 45, 71, 100, 140), Series 52 (sizes 10, 28, 45, 60, 85)
- Combination of pumps of up to the same size can be mounted to the through-drive (not with size 10)
- Pump version starting with special code 'E' available for use with water-content fluids

Detailed information:

- RE-A92701
- RE-A92711

Technical Data

Size			18	28	45	71	100	140
Nominal pressure	p_N	bar (psi)	280 (4000)	280 (4000)	280 (4000)	280 (4000)	280 (4000)	280 (4000)
Peak pressure	p_{max}	bar (psi)	350 (5100)	350 (5100)	350 (5100)	350 (5100)	350 (5100)	350 (5100)
Displacement	V_g max	cm ³ (in ³)	18 (1.10)	28 (1.71)	45 (2.75)	71 (4.33)	100 (6.10)	140 (8.54)
Speed ¹⁾	n_{max}	rpm	3300	3000	2600	2200	2000	1800
Flow at n_{max}	q_v max	l/min (gpm)	59 (15.59)	84 (22.19)	117 (31)	156 (41)	200 (53)	252 (67)
Power $\Delta p = 280$ bar (4000 PSI)	P_{max}	kW	28	39	55	73	93	118
Torque $\Delta p = 280$ bar (4000 PSI)	T_{max}	Nm (lb-ft)	80 (59)	125 (92)	200 (148)	316 (233)	445 (328)	623 (460)
Weight (approx.)	m	kg (lbs.)	12 (26)	15 (33)	21 (46)	33 (73)	45 (99)	60 (132)

1) The values are valid at an absolute pressure of 1 bar (14.50 PSI) in suction port S.

Part Number	Description	Max. Quantity	Shipment (Business Days)
R902504293	A10VO 100 DFR /31L-VUC62N00	10 / 30 / >30	10 / 30 / 40
R902504300	A10VO 100 DFR /31R-VUC62K07	10 / 30 / >30	10 / 30 / 40
R902504294	A10VO 100 DFR /31R-VUC62N00	10 / 30 / >30	10 / 30 / 40
R902503597	A10VO 100 DFR1 /31L-VUC61N00	10 / 30 / >30	10 / 30 / 40
R902504303	A10VO 100 DFR1 /31R-VUC62K07	10 / 30 / >30	10 / 30 / 40
R902504324	A10VO 140 DFR /31L-VSD62N00	10 / 30 / >30	10 / 30 / 40
R902504328	A10VO 140 DFR /31R-VSD62N00	10 / 30 / >30	10 / 30 / 40
R902504333	A10VO 140 DR /31L-VSD62N00	10 / 30 / >30	10 / 30 / 40
R902504304	A10VO 28 DFR /31L-VSC62N00	10 / >10	10 / 40
R902502726	A10VO 28 DFR /31R-VSC62N00	10 / >10	10 / 40
R902502735	A10VO 28 DFR1 /31R-VSC62N00	10 / >10	10 / 40
R902504295	A10VO 45 DFR /31L-VUC62N00	10 / >10	10 / 40
R902502728	A10VO 45 DFR /31R-VSC62K01	10 / >10	10 / 40
R902413359	A10VO 45 DFR /31R-VSC62K68	10 / >10	10 / 40
R902502703	A10VO 45 DFR /31R-VSC62N00	10 / >10	10 / 40
R902504296	A10VO 45 DRG /31L-VSC62N00	10 / >10	10 / 40
R902502700	A10VO 71 DFR /31L-VSC91N00	10 / >10	10 / 40
R902502710	A10VO 71 DFR /31L-VSC92N00	10 / >10	10 / 40
R902502698	A10VO 71 DFR /31R-VSC92N00	10 / >10	10 / 40
R902504299	A10VO 71 DFR1 /31R-VSC94N00	10 / >10	10 / 40
R902502711	A10VO 71 DR /31R-VSC92N00	10 / >10	10 / 40
R902502723	A10VO 71 DRG /31R-VSC92K68	10 / >10	10 / 40
R902502996	A10VSO 100 DFR1 /31R-VPA12N00	10 / 30 / >30	10 / 30 / 40
R902503000	A10VSO 140 DFR1 /31R-VPB12N00	10 / 30 / >30	10 / 30 / 40
R902502736	A10VSO 18 DFR /31R-VKC62N00	10 / >10	10 / 40
R910930740	A10VSO 18 DFR /31R-VKC62N00	10 / >10	10 / 40
R902503236	A10VSO 18 DFR /31R-VSC62N00	10 / >10	10 / 40
R902504298	A10VSO 18 DFR /31R-VUC62N00	10 / >10	10 / 40
R910945178	A10VSO 18 DFR1/31R-PPA12N00	10 / >10	10 / 40
R902502702	A10VSO 18 DR /31R-VKC62N00	10 / >10	10 / 40
R902502752	A10VSO 18 DRG /31R-VKC62N00	10 / >10	10 / 40
R902502988	A10VSO 71 DR /31R-VPA42N00	10 / >10	10 / 40
R902502989	A10VSO 71 DRG /31R-PPA12K01	10 / >10	10 / 40
R902502994	AA10VSO 100 DFR /31R-VKC62K03	10 / 30 / >30	10 / 30 / 40
R902502995	AA10VSO 100 DFR /31R-VKC62K08	10 / 30 / >30	10 / 30 / 40
R902502730	AA10VSO 100 DFR /31R-VKC62N00	10 / 30 / >30	10 / 30 / 40
R902506700	A AA10VSO100 DFR /31R-VKC62N00	10 / 30 / >30	10 / 30 / 40
R902546813	A AA10VSO100 DFR /31R-VKC62N00	10 / 30 / >30	10 / 30 / 40
R902502992	AA10VSO 100 DR /31R-VKC62K01	10 / 30 / >30	10 / 30 / 40
R902502991	AA10VSO 100 DR /31R-VKC62K38	10 / 30 / >30	10 / 30 / 40
R902502997	AA10VSO 100 DR /31R-VKC62N00	10 / 30 / >30	10 / 30 / 40
R902502990	AA10VSO 100 DRG /31R-VKC62N00	10 / 30 / >30	10 / 30 / 40
R902503002	AA10VSO 140 DFR /31R-VKD62K01	10 / 30 / >30	10 / 30 / 40
R902503001	AA10VSO 140 DFR /31R-VKD62N00	10 / 30 / >30	10 / 30 / 40
R910940042	AA10VSO 140 DFR /31R-VKD62N00	10 / 30 / >30	10 / 30 / 40
R902502998	AA10VSO 140 DFR1 /31R-VKD62K01	10 / 30 / >30	10 / 30 / 40
R902502731	AA10VSO 140 DR /31R-VKD62N00	10 / 30 / >30	10 / 30 / 40

GoTo™ Graduated Lead Times available for quantities exceeding the standard GoTo max. quantity!

1) "Shipment" defined as – not to exceed the time from receipt of order to Bosch Rexroth Hydraulics to shipment ex-factory (Bosch Rexroth plant location).

Part Number	Description	Max. Quantity	Shipment (Business Days)
R902503003	AA10VSO 140 DR /31R-VKD62N00	10 / 30 / >30	10 / 30 / 40
R902502999	AA10VSO 140 DRG /31R-VKD62K08	10 / 30 / >30	10 / 30 / 40
R902503004	AA10VSO 140 DRG /31R-VKD62N00	10 / 30 / >30	10 / 30 / 40
R902546821	AA10VSO 18 DFR /31R-PUC62N00	10 / >10	10 / 40
R902506737	AA10VSO 18 DFR /31R-VUC62N00	10 / >10	10 / 40
R902502185	AA10VSO 28 DFR /31R-VKC62K01	10 / >10	10 / 40
R902502732	AA10VSO 28 DFR /31R-VKC62N00	10 / >10	10 / 40
R902401464	AA10VSO 28 DR /31R-VKC62N00	10 / >10	10 / 40
R902544727	AA10VSO 28 DR /31R-VKC62N00	10 / >10	10 / 40
R902544728	AA10VSO 28 DR /31R-VKC62N00	10 / >10	10 / 40
R902502364	AA10VSO 28 DRG /31L-VSC62N00	10 / >10	10 / 40
R902502734	AA10VSO 28 DRG /31R-VKC62N00	10 / >10	10 / 40
R910907369	A A10VSO 28 DR /31R-VPA12N00	10 / >10	10 / 40
R902542670	A A10VSO 28 DR /31R-PPA12N00	10 / >10	10 / 40
R902542671	A A10VSO 28 DR /31R-PPA12N00	10 / >10	10 / 40
R902502188	AA10VSO 45 DFR /31R-VKC62K01	10 / >10	10 / 40
R902521476	AA10VSO 45 DFR /31R-VKC62K68	10 / >10	10 / 40
R902502733	AA10VSO 45 DFR /31R-VKC62N00	10 / >10	10 / 40
R902504391	AA10VSO 45 DFR /31R-VSC62N00	10 / >10	10 / 40
R902502741	AA10VSO 45 DR /31R-VKC62N00	10 / >10	10 / 40
R902502737	AA10VSO 45 DRG /31R-VKC62N00	10 / >10	10 / 40
R902506696	A A10V O 45 DFR /31L-VSC62N00	10 / >10	10 / 40
R902549833	A A10V O 45 DFR /31L-VSC62N00	10 / >10	10 / 40
R902506695	A A10V O 45 DFR1/31L-VSC62N00	10 / >10	10 / 40
R902504264	A A10VSO 45 DFR1/31R-VPA12N00	10 / >10	10 / 40
R902546775	A A10VSO 45 DFR1/31R-PPA12N00	10 / >10	10 / 40
R902506738	A A10VSO 45 DFR1/31R-VPA12N00	10 / >10	10 / 40
R902502186	AA10VSO 71 DFR /31R-VKC92K01	10 / >10	10 / 40
R902400497	AA10VSO 71 DFR /31R-VKC92N00	10 / >10	10 / 40
R902502127	AA10VSO 71 DFR1 /31R-VKC92N00	10 / >10	10 / 40
R902502701	AA10VSO 71 DR /31R-VKC92N00	10 / >10	10 / 40
R902502981	AA10VSO 71 DR /31L-VKC92N00	10 / >10	10 / 40
R902502980	AA10VSO 71 DR /31R-VKC92K01	10 / >10	10 / 40
R902502984	AA10VSO 71 DR /31R-VKC92K05	10 / >10	10 / 40
R902503042	AA10VSO 71 DR /31R-VKC92K08	10 / >10	10 / 40
R902502715	AA10VSO 71 DRG /31R-VKC92K03	10 / >10	10 / 40
R902502982	AA10VSO 71 DRG /31R-VKC92K40	10 / >10	10 / 40
R902502985	AA10VSO 71 DRG /31R-VKC92N00	10 / >10	10 / 40
R902502986	EAA10VSO 71 DR /31R-VKC92N00	10 / >10	10 / 40
R902506697	A A10V O 71 DFR /31R-VSC92K68	10 / >10	10 / 40
R902506698	A A10V O 71 DFR /31R-VSC92K68	10 / >10	10 / 40
R902506597	EAA10VSO100DR/31R-PKC62N00	10	10
R902506598	EAA10VSO140DR/31R-PKD62N00	10	10
R902506599	EAA10VSO18DR/31R-PKC62N00	10	10
R902506596	EAA10VSO25DR/31R-PKC62N00	10	10
R902546863	EAA10VSO45DR/31R-PKC62N00	10	10
R902500164	LA10VO 100 DR /31R-VUC62N00	10 / 30 / >30	10 / 30 / 40

GoTo™ Graduated Lead Times available for quantities exceeding the standard GoTo max. quantity!

1) "Shipment" defined as – not to exceed the time from receipt of order to Bosch Rexroth Hydraulics to shipment ex-factory (Bosch Rexroth plant location).

GoTo Focused Delivery Program: Pumps

Variable displacement pumps

A10V(S)O (Series 52)



Variable displacement axial piston pump A10V(S)O, Series 52 in swashplate design is available for hydrostatic drives in an open circuit. The flow is proportional to the drive speed and displacement of the pump. Flow can be steplessly varied by adjusting the swashplate angle. Long service life, low noise, and a favorable power-to-weight ratio make it ideal for mobile and industrial applications requiring a compact drive.

For complete engineering and design information:
GoTo www.boschrexroth-us.com/GoTopumps

Features

- Sizes 10 to 85 cc
- Axial piston swashplate design
- Open circuit
- Series 52
- Combination of pumps of up to same size can be mounted to the thru-drive (not with size 10)

Detailed information:

- RE-A92703

Technical Data

Size			18	28	45	60	85
Nominal pressure	p_N	bar (psi)	250 (3600)	250 (3600)	250 (3600)	250 (3600)	250 (3600)
Peak pressure	p_{max}	bar (psi)	315 (4600)	315 (4600)	315 (4600)	315 (4600)	315 (4600)
Displacement	$V_{g,max}$	cm ³ (in ³)	10.5 (0.64)	28 (1.71)	45 (2.75)	60 (3.66)	85 (5.18)
Speed ¹⁾	n_{max}	rpm	3600	3000	2600	2700	2500
Flow at n_{max}	$q_{V,max}$	l/min (gpm)	38 (10.04)	84 (22)	117 (31)	163 (43)	212 (55)
Power	$\Delta p = 250$ bar (3600 PSI) P_{max}	kW	16	35	49	68	89
Torque	$\Delta p = 250$ bar (3600 PSI) T_{max}	Nm (lb-ft)	42 (31)	111 (82)	179 (132)	238 (176)	338 (247)
Weight (approx.)	m	kg (lbs.)	8 (18)	14 (31)	18 (40)	22 (49)	34 (75)

1) The values are valid at an absolute pressure of 1 bar (14.50 PSI) in suction port S.

Part Number	Description	Max. Quantity	Shipment (Business Days)
R902504312	A10VO 28 DFR /52L-VSC64N00	10 / >10	10 / 40
R902504639	A10VO 28 DFR /52R-VRC64N00	10 / >10	10 / 40
R902502740	A10VO 28 DFR /52R-VSC64N00	10 / >10	10 / 40
R902504644	A10VO 28 DFR1 /52L-VSC64N00	10 / >10	10 / 40
R902504651	A10VO 28 DFR1 /52R-VRC64N00	10 / >10	10 / 40
R902504642	A10VO 28 DFR1 /52R-VSC64N00	10 / >10	10 / 40
R902504634	A10VO 28 DR /52L-VRC64N00	10 / >10	10 / 40
R902504317	A10VO 28 DR /52L-VSC64N00	10 / >10	10 / 40
R902504645	A10VO 28 DR /52R-VRC64N00	10 / >10	10 / 40
R902504314	A10VO 28 DR /52R-VSC64N00	10 / >10	10 / 40
R910970020	A10VO 45 DFR /52L-PUC64N00	10 / >10	10 / 40
R902502739	A10VO 45 DFR /52L-VSC64N00	10 / >10	10 / 40
R902504305	A10VO 45 DFR /52L-VUC64N00	10 / >10	10 / 40
R902504660	A10VO 45 DFR /52R-VSC62N00	10 / >10	10 / 40
R902401405	A10VO 45 DFR /52R-VSC64N00	10 / >10	10 / 40
R902505533	A10VO 45 DFR /52R-VSC64N00	10 / >10	10 / 40
R902504662	A10VO 45 DFR /52R-VUC62N00	10 / >10	10 / 40
R902504309	A10VO 45 DFR /52R-VUC64N00	10 / >10	10 / 40
R902504652	A10VO 45 DFR1 /52L-VSC64N00	10 / >10	10 / 40
R902504653	A10VO 45 DFR1 /52L-VUC64N00	10 / >10	10 / 40
R902504663	A10VO 45 DFR1 /52R-VSC62N00	10 / >10	10 / 40
R902502738	A10VO 45 DFR1 /52R-VSC64N00	10 / >10	10 / 40
R902504664	A10VO 45 DFR1 /52R-VUC62N00	10 / >10	10 / 40
R902504306	A10VO 45 DFR1 /52R-VUC64N00	10 / >10	10 / 40
R902505534	A10VO 45 DFR1/52L-VUC64N00	10 / >10	10 / 40
R902505536	A10VO 45 DFR1/52R-VUC64N00	10 / >10	10 / 40
R902504654	A10VO 45 DR /52L-VSC64N00	10 / >10	10 / 40
R902504656	A10VO 45 DR /52L-VUC64N00	10 / >10	10 / 40
R902504666	A10VO 45 DR /52R-VSC62N00	10 / >10	10 / 40
R902504658	A10VO 45 DR /52R-VSC64N00	10 / >10	10 / 40
R902504310	A10VO 45 DR /52R-VUC64N00	10 / >10	10 / 40
R902534923	AA10VO 60 DFR /52L-PUC61N00	10 / >10	10 / 40
R902506739	AA10VO 60 DFR /52L-VUC61N00	10 / >10	10 / 40
R902504690	A10VO 60 DFR /52L-VSC61N00	10 / >10	10 / 40
R902504803	A10VO 60 DFR /52L-VSC62K04	10 / >10	10 / 40
R902504821	A10VO 60 DFR /52L-VSC62K68	10 / >10	10 / 40
R902504746	A10VO 60 DFR /52L-VSC62N00	10 / >10	10 / 40
R902504790	A10VO 60 DFR /52L-VSD62K04	10 / >10	10 / 40
R902504813	A10VO 60 DFR /52L-VSD62K68	10 / >10	10 / 40
R902504755	A10VO 60 DFR /52L-VUC62N00	10 / >10	10 / 40
R902504800	A10VO 60 DFR /52R-VSC62K04	10 / >10	10 / 40
R902504820	A10VO 60 DFR /52R-VSC62K68	10 / >10	10 / 40
R902504743	A10VO 60 DFR /52R-VSC62N00	10 / >10	10 / 40
R902504320	A10VO 60 DFR /52R-VSD61N00	10 / >10	10 / 40
R902504787	A10VO 60 DFR /52R-VSD62K04	10 / >10	10 / 40
R902504727	A10VO 60 DFR /52R-VSD62N00	10 / >10	10 / 40
R902506208	A10VO 60 DFR /52R-VSD62N00	10 / >10	10 / 40

GoTo™ Graduated Lead Times available for quantities exceeding the standard GoTo max. quantity!

1) "Shipment" defined as – not to exceed the time from receipt of order to Bosch Rexroth Hydraulics to shipment ex-factory (Bosch Rexroth plant location).

Part Number	Description	Max. Quantity	Shipment (Business Days)
R902504697	A10VO 60 DFR /52R-VUC61N00	10 / >10	10 / 40
R902504705	A10VO 60 DFR /52R-VWD61N00	10 / >10	10 / 40
R902504692	A10VO 60 DFR1 /52L-VSC61N00	10 / >10	10 / 40
R902504797	A10VO 60 DFR1 /52L-VSC62K04	10 / >10	10 / 40
R902504669	A10VO 60 DFR1 /52L-VSD61N00	10 / >10	10 / 40
R902504292	A10VO 60 DFR1 /52L-VSD62K04	10 / >10	10 / 40
R902504728	A10VO 60 DFR1 /52L-VSD62N00	10 / >10	10 / 40
R902504700	A10VO 60 DFR1 /52L-VUC61N00	10 / >10	10 / 40
R902504712	A10VO 60 DFR1 /52L-VWD61N00	10 / >10	10 / 40
R902401219	A10VO 60 DFR1 /52R-PSD62N00 -SO 97	10 / >10	10 / 40
R902504689	A10VO 60 DFR1 /52R-VSC61N00	10 / >10	10 / 40
R902502753	A10VO 60 DFR1 /52R-VSD61N00	10 / >10	10 / 40
R902504789	A10VO 60 DFR1 /52R-VSD62K04	10 / >10	10 / 40
R902504316	A10VO 60 DFR1 /52R-VSD62N00	10 / >10	10 / 40
R902504319	A10VO 60 DFR1 /52R-VUC61N00	10 / >10	10 / 40
R902504753	A10VO 60 DFR1 /52R-VUC62N00	10 / >10	10 / 40
R902504708	A10VO 60 DFR1 /52R-VWD61N00	10 / >10	10 / 40
R902505535	A10VO 60 DFR1/52R-VUC61N00	10 / >10	10 / 40
R902504806	A10VO 60 DR /52L-VSC62K04	10 / >10	10 / 40
R902504759	A10VO 60 DR /52L-VUC62N00	10 / >10	10 / 40
R902504685	A10VO 60 DR /52L-VUD61N00	10 / >10	10 / 40
R902504693	A10VO 60 DR /52R-VSC61N00	10 / >10	10 / 40
R902504749	A10VO 60 DR /52R-VSC62N00	10 / >10	10 / 40
R902504671	A10VO 60 DR /52R-VSD61N00	10 / >10	10 / 40
R902504730	A10VO 60 DR /52R-VSD62N00	10 / >10	10 / 40
R902504757	A10VO 60 DR /52R-VUC62N00	10 / >10	10 / 40
R902501461	A10VO 60 DRG /52R-VUC62N00 -SO 97	10 / >10	10 / 40
R902504835	A10VO 85 DFR /52L-VUC61N00	10 / >10	10 / 40
R902504326	A10VO 85 DFR /52L-VUC62N00	10 / >10	10 / 40
R902504834	A10VO 85 DFR /52R-VUC61N00	10 / >10	10 / 40
R902504322	A10VO 85 DFR /52R-VUC62N00	10 / >10	10 / 40
R902504832	A10VO 85 DFR1 /52L-VUC61N00	10 / >10	10 / 40
R902504826	A10VO 85 DFR1 /52L-VUC62N00	10 / >10	10 / 40
R902501434	A10VO 85 DFR1 /52R-VUC61N00	10 / >10	10 / 40
R902504330	A10VO 85 DFR1 /52R-VUC62N00	10 / >10	10 / 40
R902504828	A10VO 85 DR /52L-VUC62N00	10 / >10	10 / 40
R902476345	A10VSO 10 DFR /52R-VKC64N00 E	5 / >5	10 / 40

GoTo™ Graduated Lead Times available for quantities exceeding the standard GoTo max. quantity!

1) "Shipment" defined as – not to exceed the time from receipt of order to Bosch Rexroth Hydraulics to shipment ex-factory (Bosch Rexroth plant location).

GoTo Focused Delivery Program: Pumps

Variable displacement pumps

A10V(S)O (Series 32)

	<p>Variable displacement axial piston pump A10V(S)O, Series 32 in swashplate design is available for hydrostatic drives in an open circuit. The flow is proportional to the drive speed and displacement of the pump. It contains a port for pressure transducers in the pump outlet and is highly resistant to sudden drops and spikes in pressure, contributing to maximum efficiency. Generally used in industrial applications, the Series 32 has a low-noise design and features a Universal through-drive with coverplate.</p> <p>For complete engineering and design information: GoTo www.boschrexroth-us.com/GoTopumps</p>
---	--

Features

- Sizes 71, 140, & 180 cc (A10VSO)
- Sizes 45 & 100 cc (A10VO)
- Axial piston swashplate design
- Open circuit
- Series 32

- Detailed information:**
- RE-A92714 (A10VSO)
 - RE92705 (A10VO)

Technical Data

Size (A10VSO)			71	140	180	
Nominal pressure	p_N	bar (psi)	280 (4000)			
Peak pressure	p_{max}	bar (psi)	350 (5100)			
Displacement	$V_{g\ max}$	cm ³ (in ³)	71 (4.33)	140 (8.54)	180 (10.98)	
Speed ¹⁾	n_{max}	rpm	1800			
Flow	at n_{max}	$q_{V\ max}$	l/min (gpm)	128 (33.8)	252 (67)	324 (85.6)
Power	$\Delta p = 280\ \text{bar (4000 PSI)}$	P_{max}	kW	59.7	118	151
Torque	$\Delta p = 280\ \text{bar (4000 PSI)}$	T_{max}	Nm (lb-ft)	317 (234)	624 (454)	802 (589)
Weight (approx.)	m	kg (lbs.)	47 (104)	73 (161)	78 (171)	

Size (A10VO)			45	100	
Nominal pressure	p_N	bar (psi)	280 (4000)		
Peak pressure	p_{max}	bar (psi)	350 (5100)		
Displacement	$V_{g\ max}$	cm ³ (in ³)	45 (2.75)	100 (6.10)	
Speed ¹⁾	n_{max}	rpm	3000	2300	
Flow	at n_{max}	$q_{V\ max}$	l/min (gpm)	135 (35.7)	230 (60.8)
Power	$\Delta p = 280\ \text{bar (4000 PSI)}$	P_{max}	kW	83	107
Torque	$\Delta p = 280\ \text{bar (4000 PSI)}$	T_{max}	Nm (lb-ft)	200 (148)	446 (329)
Weight (approx.)	m	kg (lbs.)	30 (66)	69 (152)	

Part Number	Description	Max. Quantity	Shipment (Business Days)
R902553517	A10VO 100 LA6DG /32R-VSC72U00E	3	10
R902553519	A10VO 45 LA7DG /32R-VSC72U00E	3	10
R902513544	A10VSO 140 DRG /32R-VSD72U00E	3	10
R902514124	A10VSO 140 DRS /32R-VSD72U00E	3	10
R902551880	A10VSO 140 LA6DG /32R-VSD72U00E	3	10
R902534337	A10VSO 180 DRF /32R-VSD72U00E	3	10
R902497939	A10VSO 180 DRG /32R-VKD72U00E E	3	10
R902551878	A10VSO 71 LA6DG /32R-VSD72U00E	3	10

1) "Shipment" defined as – not to exceed the time from receipt of order to Bosch Rexroth Hydraulics to shipment ex-factory (Bosch Rexroth plant location).

GoTo Focused Delivery Program: Pumps

Variable displacement pumps

(A)A4CSG (Series 30 & 33)



Variable displacement axial piston pump (A)A4CSG is designed for hydrostatic drives in a closed circuit. The flow is proportional to the drive speed and displacement of the pump, which can be made infinitely variable through control of the swashplate angle. The (A)A4CSG features integrated boost pump and valving required for closed circuit operation which acts as both a feed pump and pilot pressure supply.

For complete engineering and design information:
GoTo www.boschrexroth-us.com/GoTopumps

Features

- Sizes 255 & 500 cc
- Nominal pressure: 5100 psi (350 bar)
- Peak pressure: 5800 psi (400 bar)
- Highly efficient with long service life
- Compact design, short installation length

Detailed information:

- RE-A92105

Technical Data

Size			355	500	
Displacement, geometric, per revolution	$V_{g \max}$	in ³	21.7	30.5	
Nominal pressure	p_{nom}	psi	5100	5100	
Maximum pressure	p_{max}	psi	5800	5800	
Maximum speed	at $V_{g \max}$	n_{nom}	rpm	2000	1800
Flow	at $V_{g \max}$ and n_{nom}	$q_{V \text{ nom}}$	gpm	188	238
Power	at $q_{V \text{ nom}}$ and Δp_{nom} ¹⁾	P	hp	555	704
Torque	at $V_{g \max}$ and Δp_{nom}	M	lb-ft	1457	2053
Weight (approx.)		m	lbs	522	772

1) $\Delta p_{\text{nom}} = 5100$ psi

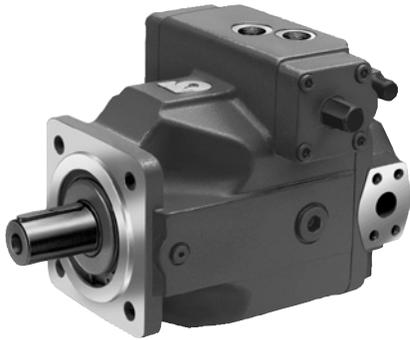
Part Number	Description	Max. Quantity	Shipment (Business Days)
R902557653	PA4CSG500EPG/33R-VZH85F994N	3	10
R902557655	PAA4CSG355EPG/30R-VRD85F994N	3	10

1) "Shipment" defined as – not to exceed the time from receipt of order to Bosch Rexroth Hydraulics to shipment ex-factory (Bosch Rexroth plant location).

GoTo Focused Delivery Program: Pumps

Variable displacement pumps

(A)A4VSO (Series 10 & 30)



Variable displacement axial piston pump (A)A4VSO in swashplate design is available for open circuit applications. Sizes 40 & 71 are available in Series 10; sizes 125-250 are available in Series 30 and have the U99 Universal through-drive with coverplate. The flow is proportional to the input drive speed and displacement. By adjusting the swashplate angle, it is possible to infinitely vary the output flow. This rugged, low-noise pump is generally used in industrial 24/7 applications.

For complete engineering and design information:
GoTo www.boschrexroth-us.com/GoTopumps

Features

- Sizes 40 to 250 cc
- Series 10 & 30
- Open circuit
- HFC Seal Versions
- Special 'F' variant available for water-content fluids – bearing flushing required
- Special 'F2' variant available for water-content fluids – operation without bearing flushing (size 250 only)

Detailed information:

- RA92050
- RA92053 (HFC Fluids)

Technical Data

Size			40	71
Nominal pressure	p_N	bar (psi)	350 (5100)	350 (5100)
Peak pressure	p_{max}	bar (psi)	400 (5800)	400 (5800)
Displacement	$V_{g\ max}$	cm ³ (in ³)	40 (2.44)	71 (4.33)
Speed ¹⁾	n_{max}	rpm	2600	2200
Flow at n_{max}	$q_{V\ max}$	l/min (gpm)	104 (27.5)	156 (41.2)
Power $\Delta p = 350\ bar\ (5100\ PSI)$	P_{max}	kW	61	91
Torque $\Delta p = 350\ bar\ (5100\ PSI)$	T_{max}	Nm (lb-ft)	223 (165)	395 (292)
Weight (approx.)	m	kg (lbs.)	39 (86)	53 (117)

Size			125	180	250
Nominal pressure	p_N	bar (psi)	350 (5100)	350 (5100)	350 (5100)
Peak pressure	p_{max}	bar (psi)	400 (5800)	400 (5800)	400 (5800)
Displacement	$V_{g\ max}$	cm ³ (in ³)	125 (7.63)	180 (11.0)	250 (15.26)
Speed ¹⁾	n_{max}	rpm	1800	1800	1500
Flow at n_{max}	$q_{V\ max}$	l/min (gpm)	225 (59.4)	324 (85.6)	375 (99)
Power $\Delta p = 350\ bar\ (5100\ PSI)$	P_{max}	kW	131	189	219
Torque $\Delta p = 350\ bar\ (5100\ PSI)$	T_{max}	Nm (lb-ft)	696 (516)	1002 (744)	1391 (1032)
Weight (approx.)	m	kg (lbs.)	1391 (1032)	102 (225)	184 (406)

Part Number	Description	Max. Quantity	Shipment (Business Days)
R902446067	AA4VSO 125 DR /30R-FKD75U99 E	3	10
R902451164	AA4VSO 125 DR /30R-VKD75U99 E	3	10
R902446069	AA4VSO 180 DR /30R-FKD75U99 E	3	10
R902446024	AA4VSO 180 DR /30R-VKD75U99 E	3	10
R902445974	AA4VSO 250 DR /30R-FKD75U99 E	3	10
R902406306	AA4VSO 40 DR /10R-PKD63N00 E	3	10
R902406401	AA4VSO 71 DR /10R-PKD63N00 E	3	10
R902550090	AA4VSO 250 DR /30R-F2KD75U99	3	10
R902445975	HAA4VSO 250DR/30R-VKD75U99 E	3	10
R902480613	HAA4VSO 250DRG/30R-VKD75U99 E	3	10

1) "Shipment" defined as – not to exceed the time from receipt of order to Bosch Rexroth Hydraulics to shipment ex-factory (Bosch Rexroth plant location).

GoTo Focused Delivery Program: Pumps

Variable displacement pumps

A15V(S,L)O (Series 10)

	<p>Variable displacement axial piston pump A15V(S,L)O, Series 10 in swashplate design is for hydrostatic drives in an open circuit. The pump is typically used in stationary applications where efficiency and compact design are required. It can work either as self-priming or with a charge pump. Other notable features include low noise operation, fast control response, overcenter operation and Universal through-drive with coverplate. The A15V(S,L)O is competitively priced compared to other industrial high-pressure designs.</p> <p>For complete engineering and design information: GoTo www.boschrexroth-us.com/GoTopumps</p>
---	--

Features

- Sizes 110 to 280 cc
- Axial piston swashplate design
- Open circuit
- Series 10
- Typical used for stationary applications

Detailed information:
• RA92800

Technical Data

Size			110	145	175	210	280	
Nominal pressure	p_N	bar (psi)	350 (5100)	350 (5100)	350 (5100)	350 (5100)	350 (5100)	
Peak pressure	p_{max}	bar (psi)	420 (6090)	420 (6090)	420 (6090)	420 (6090)	420 (6090)	
Displacement	$V_{g\ max}$	cm ³ (in ³)	110 (6.71)	145 (8.8)	175 (10.7)	210 (12.8)	280 (17.1)	
Speed ¹⁾	n_{max}	rpm	2400	2300	2150	2100	1800 ¹⁾	
Flow at n_{max}	$q_{V\ max}$	l/min (gpm)	264 (70)	334 (88.2)	376 (99.3)	441 (116.5)	504 (133.1)	
Power	$\Delta p = 350\ \text{bar}$ (5100 PSI)	P_{max}	kW	154	195	219	257	294
Torque	$\Delta p = 350\ \text{bar}$ (5100 PSI)	T_{max}	Nm (lb-ft)	613 (452)	808 (596)	975 (719)	1170 (863)	1560 (1151)
Weight (approx.)	m	kg (lbs.)	64 (141)	79 (174)	97 (214)	111 (245)	143 (315)	

For A15VLO versions (size 280 cc)

1) Max. speed = 2300 rpm

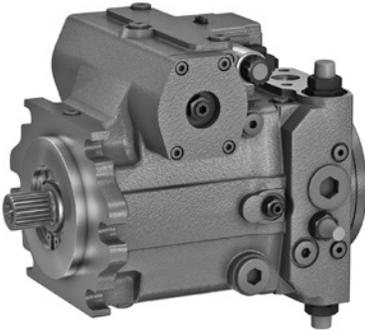
Part Number	Description	Max. Quantity	Shipment (Business Days)
R902558359	A15VLO 280DRS0A00/10ALVE4T31SU0000-0	3	10
R902558358	A15VLO 280LRDRS0A00/10ALVE4T31SU0000-0	3	10
R902537973	A15VSO 110DRS0A0V/10ARVD4T11EU0000-0	3	10
R902540646	A15VSO 110LRDRDGA0V/10ARVD4T11EU*GO2US*E	3	10
R902537975	A15VSO 110LRDRS0A0V/10ARVD4T11EU*GO2US*E	3	10
R902536979	A15VSO 145 DRS 0A0V/10ARVD4T11EU0000-0	3	10
R902536981	A15VSO 145 LRDRS 0A0V/10ARVD4T11EU0000-0	3	10
R902536791	A15VSO 175 DR S0A0V/10ARVE4T21EU0000-0	3	10
R902536793	A15VSO 175 LRDRS 0A0V/10ARVE4T21EU0000-0	3	10
R902536795	A15VSO 210 DRS 0A0V/10ARVE4T21EU0000-0	3	10
R902536797	A15VSO 210 LRDRS 0A0V/10ARVE4T21EU0000-0	3	10
R902497156	A15VSO 280 DRS 0A0V/10ARVE4T31EU0000-0	3	10
R902497154	A15VSO 280 LRDRS 0A0V/10ARVE4T31EU0000-0	3	10

1) "Shipment" defined as – not to exceed the time from receipt of order to Bosch Rexroth Hydraulics to shipment ex-factory (Bosch Rexroth plant location).

GoTo Focused Delivery Program: Pumps

Variable displacement pumps

AA4VG (Series 32)

	<p>Variable displacement axial piston pump AA4VG, Series 32 in swashplate design is for hydrostatic closed circuit transmissions. The flow is proportional to drive speed and displacement which is infinitely variable depending on the swashplate angle. The pump is equipped with two pressure relief valves on the high pressure ports to protect the transmission from overload.</p> <p>For complete engineering and design information: GoTo www.boschrexroth-us.com/GoTopumps</p>
---	---

Features

- Sizes 56 to 125 cc
- Axial piston swashplate design
- Closed circuit
- Series 32
- Integrated boost pump acts as feed and oil control pump

Detailed information:

- RA92003

Technical Data

Size			56	71	90	125
Nominal pressure	p_N	bar (psi)	400 (5800)	400 (5800)	400 (5800)	400 (5800)
Peak pressure	p_{max}	bar (psi)	450 (6500)	450 (6500)	450 (6500)	450 (6500)
Displacement	$V_{g\ max}$	cm ³ (in ³)	56 (3.42)	71 (4.33)	90 (5.49)	125 (7.63)
Speed ¹⁾	n_{max}	rpm	3600	3300	3050	2850
Flow	at n_{max}	$q_{V\ max}$				
		l/min (gpm)	202 (53.4)	234 (61.8)	275 (72.5)	356 (94.1)
Power	$\Delta p = 400\ \text{bar}$ (5800 PSI)	P_{max}				
		kW	134	156	183	237
Torque	$\Delta p = 400\ \text{bar}$ (5800 PSI)	T_{max}				
		Nm (lb-ft)	356 (263)	451 (333)	572 (422)	795 (587)
Weight (approx.)	m	kg (lbs.)	38 (84)	50 (110)	60 (145)	80 (176)

Part Number	Description	Max. Quantity	Shipment (Business Days)
R902232829	AA4VG 125 EP3 D1 /32L-NSF52F001DP	10 / >10	10 / 40
R902232828	AA4VG 125 EP3 D1 /32R-NSF52F001DP	10 / >10	10 / 40
R902232831	AA4VG 125 EP4 D1 /32L-NSF52F001DP	10 / >10	10 / 40
R902232830	AA4VG 125 EP4 D1 /32R-NSF52F001DP	10 / >10	10 / 40
R902232833	AA4VG 125 HD3 D1 /32L-NSF52F001D	10 / >10	10 / 40
R902232832	AA4VG 125 HD3 D1 /32R-NSF52F001D	10 / >10	10 / 40
R902249539	AA4VG 125 HD3 D1 /32R-NSF52F001D	10 / >10	10 / 40
R902232806	AA4VG 56 EP3 D1 /32L-NSC52F005DP	10 / >10	10 / 40
R902232804	AA4VG 56 EP3 D1 /32R-NSC52F005DP	10 / >10	10 / 40
R902232808	AA4VG 56 EP3 D1 /32R-NSC52F025DP-S	10 / >10	10 / 40
R902232807	AA4VG 56 EP4 D1 /32L-NSC52F005DP	10 / >10	10 / 40
R902232805	AA4VG 56 EP4 D1 /32R-NSC52F005DP	10 / >10	10 / 40
R902232809	AA4VG 56 EP4 D1 /32R-NSC52F025DP-S	10 / >10	10 / 40
R902232811	AA4VG 56 HD3 D1 /32L-NSC52F005D	10 / >10	10 / 40
R902232810	AA4VG 56 HD3 D1 /32R-NSC52F005D	10 / >10	10 / 40
R902232812	AA4VG 56 HD3 D1 /32R-NSC52F025D-S	10 / >10	10 / 40
R902232814	AA4VG 71 EP3 D1 /32L-NSF52F001DP	10 / >10	10 / 40
R902232813	AA4VG 71 EP3 D1 /32R-NSF52F001DP	10 / >10	10 / 40
R902232815	AA4VG 71 EP3 D1 /32R-NSF52F011DP-S	10 / >10	10 / 40
R902232817	AA4VG 71 EP4 D1 /32L-NSF52F001DP	10 / >10	10 / 40
R902232816	AA4VG 71 EP4 D1 /32R-NSF52F001DP	10 / >10	10 / 40
R902232818	AA4VG 71 EP4 D1 /32R-NSF52F011DP-S	10 / >10	10 / 40
R902232820	AA4VG 71 HD3 D1 /32L-NSF52F001D	10 / >10	10 / 40
R902232819	AA4VG 71 HD3 D1 /32R-NSF52F001D	10 / >10	10 / 40
R902232821	AA4VG 71 HD3 D1 /32R-NSF52F011D-S	10 / >10	10 / 40
R902232823	AA4VG 90 EP3 D1 /32L-NSF52F001DP	10 / >10	10 / 40
R902232822	AA4VG 90 EP3 D1 /32R-NSF52F001DP	10 / >10	10 / 40
R902232825	AA4VG 90 EP4 D1 /32L-NSF52F001DP	10 / >10	10 / 40
R902232824	AA4VG 90 EP4 D1 /32R-NSF52F001DP	10 / >10	10 / 40
R902232827	AA4VG 90 HD3 D1 /32L-NSF52F001D	10 / >10	10 / 40
R902232826	AA4VG 90 HD3 D1 /32R-NSF52F001D	10 / >10	10 / 40

GoTo™ Graduated Lead Times available for quantities exceeding the standard GoTo max. quantity!

1) "Shipment" defined as – not to exceed the time from receipt of order to Bosch Rexroth Hydraulics to shipment ex-factory (Bosch Rexroth plant location).

GoTo Focused Delivery Program: Pumps

Variable displacement pumps

AA10VG (Series 10)

	<p>Variable displacement axial piston pump AA10VG, Series 10 in swashplate design is available for hydrostatic closed circuit transmissions. The flow is proportional to the drive speed and displacement and is infinitely variable depending on the swashplate angle. The pump is equipped with two pressure relief valves on the high pressure ports to protect the transmission from overload.</p> <p>For complete engineering and design information: GoTo www.boschrexroth-us.com/GoTopumps</p>
---	--

Features

- Sizes 18 to 45 cc
- Axial piston swashplate design
- Closed circuit
- Series 10
- Pressure relief valves also function as boost valves

Detailed information:
• RA92750

Technical Data

Size			18	28	45	
Nominal pressure	p_N	bar (psi)	300 (4350)	300 (4350)	300 (4350)	
Peak pressure	p_{max}	bar (psi)	350 (5100)	350 (5100)	350 (5100)	
Displacement	$V_{g\ max}$	cm ³ (in ³)	18 (1.10)	28 (1.71)	46 (2.81)	
Speed ¹⁾	n_{max}	rpm	4000	3900	3300	
Flow	at n_{max}	$q_{V\ max}$	l/min (gpm)	72 (19)	109 (28.8)	152 (40.2)
Power	$\Delta p = 300\ bar$ (4350 PSI)	P_{max}	kW	36	54.6	75.9
Torque	$\Delta p = 300\ bar$ (4350 PSI)	T_{max}	Nm (lb-ft)	86 (63.5)	134 (99)	220 (162)
Weight (approx.)	m	kg (lbs.)	14 (31)	25 (55)	27 (60)	

Part Number	Description	Max. Quantity	Shipment (Business Days)
R902232792	AA10VG 18 EP31 /10L-NSC66F025SP-S	10 / >10	10 / 40
R902232791	AA10VG 18 EP31 /10R-NSC66F025SP-S	10 / >10	10 / 40
R902232794	AA10VG 18 HD31 /10L-NSC66F025S-S	10 / >10	10 / 40
R902232796	AA10VG 28 EP3D1 /10L-NSC60F045 DP-S	10 / >10	10 / 40
R902232797	AA10VG 28 EP3D1 /10R-NSC60F015DP-S	10 / >10	10 / 40
R902232795	AA10VG 28 EP3D1 /10R-NSC60F045 DP-S	10 / >10	10 / 40
R902232799	AA10VG 28 HD3D1 /10L-NSC60F045 D-S	10 / >10	10 / 40
R902232798	AA10VG 28 HD3D1 /10R-NSC60F045 D-S	10 / >10	10 / 40
R902232801	AA10VG 45 EP3D1 /10L-NSC60F045 DP-S	10 / >10	10 / 40
R902232800	AA10VG 45 EP3D1 /10R-NSC60F045 DP-S	10 / >10	10 / 40
R902232803	AA10VG 45 HD3D1 /10L-NSC60F045 D-S	10 / >10	10 / 40
R902232802	AA10VG 45 HD3D1 /10R-NSC60F045 D-S	10 / >10	10 / 40

GoTo™ Graduated Lead Times available for quantities exceeding the standard GoTo max. quantity!

1) "Shipment" defined as – not to exceed the time from receipt of order to Bosch Rexroth Hydraulics to shipment ex-factory (Bosch Rexroth plant location).

GoTo Focused Delivery Program: Pumps

External gear pump

AZPF and AZPN



Bosch Rexroth has been involved with the design, development and manufacture of gear pumps for many decades. Well-proven designs, the use of specially developed materials, constant testing and sophisticated mass production techniques ensure products of the very highest quality.

For complete engineering and design information:
GoTo www.boschrexroth-us.com/GoTopumps

Features

- AZPF – sizes 4 to 28 cc; AZPN – sizes 20 to 36 cc
- Plain bearings for high loads
- Drive shafts according to ISO or SAE and customer-specific standards
- Combination of several pumps possible
- Line connections: connecting flanges or female threads

Detailed information:

- RA10089 – AZPF
- RA10097 – AZPN

Technical Data

AZPF – Size			4	5	8	11	14	16	19	22	25	28
Displacement	$V_{g \max}$	cm ³ (in ³)	4.1 (0.26)	5.6 (0.35)	8.2 (0.51)	11.3 (0.71)	14.3 (0.89)	16.5 (1.03)	19.5 (1.22)	22.9 (1.43)	25.4 (1.59)	28.5 (1.78)
Operating pressure, continuous	$p_{1 \max}$	bar (psi)	250 (3600)	250 (3600)	250 (3600)	250 (3600)	250 (3600)	250 (3600)	210 (3045)	180 (2610)	200 (2900)	170 (2500)
Operating pressure, intermittent	p_3	bar (psi)	280 (4100)	280 (4100)	280 (4100)	280 (4100)	280 (4100)	280 (4100)	230 (3335)	210 (3045)	220 (3200)	190 (2800)
Max. speed at p_1	n	rpm	3500	3500	3500	3000	2500	2500	2500	2000	2000	2000
Min. speed at p_1	n	rpm	600	500	500	500	500	500	500	500	500	500

Note:

- Applicable to an oil viscosity of 25 mm²/s (116 SUS) and an oil temperature of 55 °C (131 °F) with HLP 46.
- The pressure in the suction port is 0.7 bar (10.2 PSI) min and 3 bar (43.5 PSI) max absolute.

AZPN – Size		20	22	25	28	32	36
Displacement	cm ³ /rev (in ³ /rev)	20.4 (1.24)	23.1 (1.41)	25.8 (1.57)	28.4 (1.73)	32.4 (1.98)	36.4 (2.22)
Inlet pressure	bar (psi)	min. 0.7; max. 3 (min. 10.2; max 43.5) [absolute]					
Max. continuous pressure	p_1 bar (psi)	230 (3335)	230 (3335)	230 (3335)	210 (3045)	180 (2610)	160 (2610)
Max. intermittent pressure	p_2 bar (psi)	250 (3625)	250 (3625)	250 (3625)	230 (3335)	200 (2900)	180 (2610)
Max. peak pressure	p_3 bar (psi)	270 (3915)	270 (3915)	270 (3915)	250 (3625)	220 (3190)	200 (2900)
Min. rotational speed ≤ 100	rpm	500	500	500	500	500	500
Max. rotational speed	p_1 rpm	2500	2500	2500	2300	2300	2100
	p_2 rpm	3000	3000	3000	2800	2800	2600

Part Number	Description	Max. Quantity	Shipment (Business Days)
0510225011	AZPF-10-004RQR12MB	3	10
0510325006	AZPF-11-005RCB20MB	3	10
0510325011	AZPF-11-005RQR12MB	3	10
0510425009	AZPF-11-008RCB20MB	3	10
0510425016	AZPF-11-008RQR12MB	3	10
0510525009	AZPF-11-011RCB20MB	3	10
0510225006	AZPF-12-004RCB20KB	3	10
9510290021	AZPF-12-004RQR12MB	3	10
9510290015	AZPF-12-004RRR12MB	3	10
9510290037	AZPF-12-005LRR12MB	3	10
9510290022	AZPF-12-005RQR12MB	3	10
9510290005	AZPF-12-005RRR12MB	3	10
9510290046	AZPF-12-008LQR12MB	3	10
9510290038	AZPF-12-008LRR12MB	3	10
9510290023	AZPF-12-008RQR12MB	3	10
9510290017	AZPF-12-008RRR12MB	3	10
9510290039	AZPF-12-011-LRR12MB	3	10
9510290024	AZPF-12-011-RQR12MB	3	10
9510290414	AZPF-12-011-RRR12MB	3	10
9510290040	AZPF-12-014-LRR12MB	3	10
9510290025	AZPF-12-014-RQR12MB	3	10
9510290004	AZPF-12-014-RRR12MB	3	10
9510290122	AZPF-12-016RQR12MB	3	10
9510290026	AZPF-12-016RQR12MB-S0040 - OK	3	10
9510290056	AZPF-12-016RRR12MB	3	10
9510290128	AZPF-12-019LRR12MB	3	10
9510290042	AZPF-12-019LRR12MB -S0040	3	10
9510290123	AZPF-12-019RQR12MB	3	10
9510290027	AZPF-12-019RQR12MB-S0040	3	10
9510290125	AZPF-12-019RRR12MB	3	10
9510290124	AZPF-12-022RQR12MB	3	10
9510290028	AZPF-12-022RQR12MB-S0040	3	10
9510290126	AZPF-12-022RRR12MB	3	10
9510290112	AZPF-22-025RQR12MB-S0040	3	10
9510290111	AZPF-22-025RRR12MB	3	10
9510290120	AZPF-22-028LRR12MB	3	10
9510290115	AZPF-22-028RQR12MB-S0040	3	10
9510290114	AZPF-22-028RRR12MB	3	10
9510390007	AZPN-12-020-LDC12MB	3	10
9510390001	AZPN-12-020-RDC12MB	3	10
9510390002	AZPN-12-022-RDC12MB	3	10
9510390135	AZPN-12-022RXR12MA-S0075	3	10
9510390009	AZPN-12-025LDC12MB-S0040	3	10
9510390003	AZPN-12-025RDC12MB-S0040	3	10
9510390004	AZPN-12-028RDC12MB-S0040	3	10
9510390052	AZPN12-028-RQC12MB-S0040	3	10
9510390011	AZPN-12-032LDC12MB-S0040	3	10
9510390005	AZPN-12-032RDC12MB-S0040	3	10

1) "Shipment" defined as – not to exceed the time from receipt of order to Bosch Rexroth Hydraulics to shipment ex-factory (Bosch Rexroth plant location).

GoTo Focused Delivery Program: Pumps

9510390053	AZPN-12-032RQC12MB-S0040	3	10
9510390006	AZPN-12-036RDC12MB-S0040	3	10
9510390054	AZPN-12-036-RQC12MB	3	10
9510390139	AZPN-12-036-RXR12MA-S0075	3	10

1) "Shipment" defined as – not to exceed the time from receipt of order to Bosch Rexroth Hydraulics to shipment ex-factory (Bosch Rexroth plant location).

External gear pump

AZPG



Bosch Rexroth has been involved with the design, development and manufacture of gear pumps for many decades. Well-proven designs, the use of specially developed materials, constant testing and sophisticated mass production techniques ensure products of the very highest quality.

For complete engineering and design information:
GoTo www.boschrexroth-us.com/GoTopumps

Features

- Sizes 32cc to 63cc
- Aluminum body design with cast iron end covers
- Drive shaft according to ISO or SAE and customer specific standards
- Combination pumps are possible
- Port connections, threaded or flanged
- Plain bearings for high loads

Detailed information:

- RA10097

Technical Data

Nominal size		32	36	40	45	50	56	63
Displacement	cm ³	32	36	40	45	50	56	63
	(in ³)	(1.95)	(2.20)	(2.44)	(2.75)	(3.05)	(3.42)	(3.84)
Speed Range	min	500						
	max	2800			2600		2300	
Rated Pressure	bar	250				220	195	170
	(psi)	(3625)				(3190)	(2830)	(2465)
Weight	kg	9.8	10	10.2	10.4	10.6	10.8	11.2
	(lbs)	(21.6)	(22.0)	(22.5)	(22.9)	(10.6)	(23.8)	(24.7)
Fluid Temperature Range	NBR (buna)	max 80°C (176°F)						
	FKM (viton)	max 110°C (230°F)						
Inlet Pressure (absolute)	bar	0.7 to 3						
	(psia)	(10.2 to 43.5)						

Part Number	Description	Max. Quantity	Shipment (Business Days)
9510490044	AZPG-22-032RDC40MB	3	10
9510490084	AZPG-22-032RQC40MB	3	10
9510490045	AZPG-22-036RDC40MB	3	10
9510490085	AZPG-22-036RQC40MB	3	10
9510490046	AZPG-22-040RDC40MB	3	10
9510490086	AZPG-22-040RQC40MB	3	10
9510490047	AZPG-22-045RDC40MB	3	10
9510490087	AZPG-22-045RQC40MB	3	10
9510490049	AZPG-22-056RDC40MB	3	10
9510490089	AZPG-22-056RQC40MB	3	10
9510490050	AZPG-22-063RDC40MB	3	10
9510490090	AZPG-22-063RQC40MB	3	10

1) "Shipment" defined as – not to exceed the time from receipt of order to Bosch Rexroth Hydraulics to shipment ex-factory (Bosch Rexroth plant location).

GoTo Focused Delivery Program: Pumps

Internal gear pumps

PGH



The PGH is a fixed displacement internal gear pump with an extremely versatile design, that's increasing in popularity within many variable speed drive applications. Along with its high pressure rating and low-noise and pulsation levels, the PGH reduces energy consumption and boosts overall system efficiency by providing only the flow and pressure as the system demands.

For complete engineering and design information:
GoTo www.boschrexroth-us.com/GoTopumps

Features

- Sizes 5cc through 250cc
- Wide speed range, excellent for variable speed applications
- Radial and axial gap pressure compensation
- Larger sizes have built-in gauge / bleed port
- Flexible combination concept, all pumps have through drive

Detailed information:

- Frame size 2 and 3: RE10223
- Frame size 4 and 5: RE10227

Technical Data

Frame Size			2			3			4				
Displacement	V_g	cm ³	5	6	8	11	13	16	20	25	32	40	50
Allowable speed	n	rpm	600 – 3000						200 – 3000				
Maximum continuous operating pressure (std fluids)	p_n	psi	4568									3625	
Permitted viscosity range		cSt	10 to 300 (restricted to 100 cSt for high speed 3000 rpm operation)										
Fluid temperature (std fluids)		°F	14 to 176										
Weight	m	lbs	9.5	9.7	10.1	10.6	11	11.7	30.9	32	33.1	35.3	37.5

Frame Size			5						
Displacement	V_g	cm ³	63	80	100	125	160	200	250
Allowable speed	n	rpm	200 – 3000						
Maximum continuous operating pressure (std fluids)	p_n	psi	4568				3045	2465	1958
Permitted viscosity range		cSt	10 to 300 (restricted to 100 cSt for high speed 3000 rpm operation)						
Fluid Temperature (std fluids)		°F	14 to 176						
Weight	m	lbs	92.6	95.9	100.3	105.8	114.6	122.4	133.4

Part Number	Description	Max. Quantity	Shipment (Business Days)
R900886137	COMBINED PART PGH2/3-2X+PGH2/3-2X/ &	3	10
R901155288	COMBINED PART PGH4-3X+GH2/3-2X/ &	3	10
R901155289	COMBINED PART PGH4-3X+GH4-3X..R/ &	3	10
R901155283	COMBINED PART PGH5-3X+GH2/3-2X/ &	3	10
R901155284	COMBINED PART PGH5-3X+GH4-3X..R/ &	3	10
R901155285	COMBINED PART PGH5-3X+GH5-3X..R/ &	3	10
R900968999	PGH2-2X/005RE07VU2	3	10
R900972378	PGH2-2X/005RR07VU2	3	10
R900951301	PGH2-2X/006RE07VU2	3	10
R900961549	PGH2-2X/006RR07VU2	3	10
R900951302	PGH2-2X/008RE07VU2	3	10
R900961551	PGH2-2X/008RR07VU2	3	10
R900951303	PGH3-2X/011RE07VU2	3	10
R900961556	PGH3-2X/011RR07VU2	3	10
R900951305	PGH3-2X/016RE07VU2	3	10
R900961558	PGH3-2X/016RR07VU2	3	10
R901147100	PGH4-3X/020RE11VU2	3	10
R901147110	PGH4-3X/020RR11VU2	3	10
R901147101	PGH4-3X/025RE11VU2	3	10
R901147111	PGH4-3X/025RR11VU2	3	10
R901147102	PGH4-3X/032RE11VU2	3	10
R901147112	PGH4-3X/032RR11VU2	3	10
R901147103	PGH4-3X/040RE11VU2	3	10
R901147113	PGH4-3X/040RR11VU2	3	10
R901147104	PGH4-3X/050RE11VU2	3	10
R901147114	PGH4-3X/050RR11VU2	3	10
R901286226	PGH4-3X/063RR11VU2	3	10
R901147115	PGH5-3X/063RE11VU2	3	10
R901147116	PGH5-3X/080RE11VU2	3	10
R901147130	PGH5-3X/080RR11VU2	3	10
R901147117	PGH5-3X/100RE11VU2	3	10
R901147131	PGH5-3X/100RR11VU2	3	10
R901147118	PGH5-3X/125RE11VU2	3	10
R901147132	PGH5-3X/125RR11VU2	3	10
R901147119	PGH5-3X/160RE11VU2	3	10
R901147133	PGH5-3X/160RR11VU2	3	10

1) "Shipment" defined as – not to exceed the time from receipt of order to Bosch Rexroth Hydraulics to shipment ex-factory (Bosch Rexroth plant location).

GoTo Focused Delivery Program: Pumps

Fixed displacement vane pumps

PVV



Rexroth PVV product is a fixed displacement vane pump based on the cartridge principle. PVV pumps can be used in a wide spectrum of applications, from low pressure filter / cooler loops to higher pressure systems such as presses and injection molding machines. PVV fixed vane pumps are just one of the many pump options available from the extensive Rexroth portfolio of products.

For complete engineering and design information:
GoTo www.boschrexroth-us.com/GoTopumps

Features

- 20 different displacement sizes ranging from 18cc/rev (1.1 cu-in/rev) to 193cc/rev (11.8 cu-in/rev)
- Hydraulically balanced design provides long bearing life
- Cartridge replacement simplifies service and repair
- Cartridges are interchangeable with competitive designs
- Displacement changes can be easily performed by swapping cartridges
- Rotational flexibility of port locations optimizes customer interface
- PVV pumps can be coupled to other Rexroth vane, piston and gear products

Detailed information:
• RE10335

Technical Data

Mounting style	Flange mounting to SAE J744										
Pipe connections	SAE flange version (fixing threads: UNC)										
Direction of rotation	Clockwise and counter-clockwise										
Drive	Direct, co-axial drive; radial and axial forces cannot be taken up										
Build sizes 1 and 2 (pump cartridge)	BS1					BS2					
Nominal size ($\approx V$ in cm^3)	NS	18	27	36	40	46	40	45	55	60	68
Max. flow at $n = 1500 \text{ min}^{-1}$, $p = 0.7 \text{ bar (10 PSI)}$ and $v = 25 \text{ mm}^2/\text{s}$	l/min (gpm)	25 (6.6)	39 (10.3)	53 (14.0)	59 (15.6)	70 (18.5)	59 (15.6)	66 (17.4)	80 (21.1)	89 (23.5)	100 (26.4)
Outlet continuous for PVV	p_{max} bar (psi)	210 (3000)			160 (2300)	140 (2000)	175 (2500)				
Weight	kg (lb)	12 (26.4)					14.8 (32.6)				
Speed at 1 bar (14.5 PSI)	RPM	600–1800									
Build sizes 4 and 5 (pump cartridge)	BS4					BS5					
Nominal size ($\approx V$ in cm^3)	NS	69	82	98	113	122	139	154	162	183	193
Max. flow at $n = 1500 \text{ min}^{-1}$, $p = 0.7 \text{ bar (10 PSI)}$ and $v = 25 \text{ mm}^2/\text{s}$	l/min (gpm)	101 (26.7)	120 (31.7)	141 (37.2)	167 (44.1)	177 (46.8)	203 (53.6)	223 (58.9)	234 (61.8)	267 (70.5)	285 (75.3)
Outlet continuous for PVV	p_{max} bar (psi)	175 (2500)					175 (2500)				
Weight	kg (lb)	23 (50.7)					34 (74.9)				
Speed at 1 bar (14.5 PSI)	RPM	600–1800									

Part Number	Description	Max. Quantity	Shipment (Business Days)
R900939075	PVV1-1X/027RJ15DMB	3	10
R900965314	PVV1-1X/036RJ15DMB	3	10
R900928297	PVV1-1X/040RA15DMB	3	10
R900704430	PVV1-1X/046RJ15DMB	3	10
R900931138	PVV2-1X/040RA15UMB	3	10
R900928955	PVV2-1X/055RA15UMB	3	10
R900935466	PVV2-1X/068RA15DMB	3	10
R900926823	PVV2-1X/068RA15UMB	3	10
R900936293	PVV4-1X/069RA15DMC	3	10
R900931548	PVV4-1X/082RA15DMC	5	10
R900936294	PVV4-1X/098RA15DMC	3	10
R900929542	PVV4-1X/122RA15DMC	3	10
R900936296	PVV5-1X/154RA15DMC	3	10
R900936297	PVV5-1X/183RA15DMC	3	10
R900929349	PVV5-1X/193RA15DMC	3	10

1) "Shipment" defined as – not to exceed the time from receipt of order to Bosch Rexroth Hydraulics to shipment ex-factory (Bosch Rexroth plant location).

GoTo Focused Delivery Program: Pumps

Variable vane pumps, direct operated

PV7



PV7 direct operated vane pumps are a pressure compensated design that improves system performance and efficiency vs. fixed displacement pumps. PV7 pumps can be used for lower pressure applications where low noise and pulsation are critical circuit demands.

For complete engineering and design information:
GoTo www.boschrexroth-us.com/GoTopumps

Features

- 4 displacements ranging from 10-25cc
- Maximum flow adjustment option is standard
- Compensator setting is lockable
- Multiple pressure options for each displacement

Detailed information:

- RE10522

Technical Data

Frame Size		06		20	
Displacement size	cm ³ (in ³)	10 (0.61)	14 (0.85)	20 (1.22)	25 (1.53)
Flow	l/min (gpm)	14.5 (3.8)	20 (5.3)	29 (7.7)	36 (9.5)
Max. Pressure (absolute)	Inlet	0.8 to 2.5 (11.6 to 36.25)			
	Outlet	100 (1450)	70 (1015)	100 (1450)	
Permitted viscosity range	cSt	16 to 160			
Weight	lbs	13.9		25.1	
Fluid temperature	°F	14 to 158			
Speed range	rpm	900 to 1800			
Installation position		Optional			

Part Number	Description	Max. Quantity	Shipment (Business Days)
R900563233	PV7-1X/06-10RA01MA0-10	3	10
R900950953	PV7-2X/20-20RA01MA0-10	3	10
R900950955	PV7-2X/20-25RA01MA0-10	3	10

1) "Shipment" defined as – not to exceed the time from receipt of order to Bosch Rexroth Hydraulics to shipment ex-factory (Bosch Rexroth plant location).

GoTo Focused Delivery Program: Pumps

Variable vane pumps, pilot operated PV7



The PV7 is a variable displacement vane pump used quite extensively for low to mid-pressure applications for numerous market segments such as machine tool and packaging industries. The PV7 pump utilizes a journal bearing design and pivoting control pistons to provide a low noise and durable product for the industrial hydraulic market.

For complete engineering and design information:
GoTo www.boschrexroth-us.com/GoTopumps

Features

- 8 displacement sizes ranging from 14-150cc.
- All pumps are supplied with through drive capable shaft that is capped off with an aluminum rear cover
- PV7 pumps can be incorporated into combinations with many other Rexroth products including internal and external gear pumps, radial piston pumps, fixed and variable vane pumps and axial piston pumps.
- Multiple control options are available such as pressure control, flow control, solenoid unloading control, lockable controls, etc.
- PV7 design is European based, 4-bolt DIN mounting pilot and metric shaft

Detailed information:

- RE10515

Technical Data

Size		10		16		25		40		63		100	
Size	cm ³ (in ³)	14 (0.85)	20 (1.22)	20 (1.22)	30 (1.83)	30 (1.83)	45 (2.75)	45 (2.75)	71 (4.27)	71 (4.27)	94 (5.74)	118 (7.20)	150 (9.15)
Flow	l/min (gpm)	21 (5.5)	29 (7.7)	29 (7.7)	43.5 (11.5)	43.5 (11.5)	66 (17.4)	66 (17.4)	104 (27.5)	108 (28.5)	136 (35.9)	171 (45.2)	218 (57.6)
Max. Pressure (absolute)		0.8 to 2.5 (11.6 to 36.26)											
Inlet	bar (psi)	0.8 to 2.5 (11.6 to 36.26)											
Outlet	bar (psi)	160 (2320)	100 (1450)	160 (2320)	80 (1160)	160 (2320)	80 (1160)	160 (2320)	80 (1160)	160 (2320)	80 (1160)	160 (2320)	80 (1160)
Speed range		900 to 1800 rpm											
Direction of rotation		Clockwise (viewed to shaft end)											

Part Number	Description	Max. Quantity	Shipment (Business Days)
R900506809	PV7-1X/100-118RE07MC0-16	3	10
R900580381	PV7-1X/10-14RE01MC0-16	3	10
R900534143	PV7-1X/10-20RE01MC0-10	3	10
R900580382	PV7-1X/16-20RE01MC0-16	3	10
R900580383	PV7-1X/25-30RE01MC0-16	3	10
R900580384	PV7-1X/40-45RE37MC0-16	3	10
R900506808	PV7-1X/63-71RE07MC0-16	3	10
R901169899	REGULATOR V7-1A/...C0-16 BG	3	10
R901169902	REGULATOR V7-1A/...D0-16 BG	3	5

1) "Shipment" defined as – not to exceed the time from receipt of order to Bosch Rexroth Hydraulics to shipment ex-factory (Bosch Rexroth plant location).

GoTo Focused Delivery Program: Pumps

Variable vane pumps, pilot operated VPV



Rexroth continues to offer advanced variable vane pump technology. Market conditions favor hydraulic components that operate at low noise levels without sacrificing efficiency or durability. VPV pumps feature an outstanding response to the needs of the market today and for the future.

For complete engineering and design information:
GoTo www.boschrexroth-us.com/GoTopumps

Features

- Sizes 16 to 164
- Flows from 30 to 287 L/min (7.6 to 75.8 GPM) in single pumps
- Available in combination with other VPV pumps and Rexroth gear pumps
- Through-drive horsepower transfer is 100% to the second pump
- VPV pumps are available with through-shaft versions for quick combinations
- Pressures to 210 bar (3050 PSI)
- Continuous speeds from 1000 to 1800 rpm
- A variety of fluids can be used: mineral oil, phosphate ester, and environmentally friendly fluids
- Controls include standard pressure compensation, remote pressure compensation, load sense, solenoid 2-pressure, and solenoid vented

Detailed information:

- 9535233724
- 9535233782
- 9535233785

Technical Data

Size	cc/rev (in ³ /rev)	16 (1.0)	25 (1.5)	32 (2.0)	45 (2.75)	63 (3.84)	80 (4.88)	100 (6.0)	130 (7.93)	164 (10.0)
Flow ¹⁾	l/min (gpm)	30 (7.6)	43 (11.4)	57 (15.1)	79 (20.8)	110 (29.1)	140 (37.0)	172 (45.4)	227 (60.0)	287 (75.8)
Max. Pressure	bar (psi)	210 (3000)	210 (3000)	210 (3000)	210 (3000)	210 (3000)	210 (3000)	210 (3000)	210 (3000)	210 (3000)
Speed range	1000 to 1800 rpm									
Mounting	Flange to ISO 3019/1									
Mount Position	Any									
Rotation	RH									
Sound Pressure Level ²⁾		67	69	69	68	69	71	74	76	77

1) 1750 rpm in GPM.

2) dB(A) at 3000 PSI, 1750 rpm, full flow in a hemi-anechoic chamber with microphone placed 1 meter away at 7 discrete locations. Sound pressure levels are spatially and time weighted averaged.

Part Number	Description	Max. Quantity	Shipment (Business Days)
0513300201	0513R15A7VPV16SM14FZ	3	10
0513300403	0513R15A7VPV16SM21FY	3	10
0513300407	0513R15A7VPV16SM21HY	3	10
0513300405	0513R15A7VPV16SM21HZ	3	10
0513400407	0513R15A7VPV25SM21HY	3	10
0513500407	0513R15A7VPV32SM21HY	3	10
0513600407	0513R15A7VPV45SM21HY	3	10
0513700407	0513R15A7VPV63SM21HY	3	10
0513800407	0513R15A7VPV80SM21HY	3	10
0513850216	0513R18C3VPV100SM21HYB04	3	10
0513850214	0513R18C3VPV100SM21HYB04 P1	3	10
0513860250	0513R18C3VPV130SM21HYB04	3	10
0513860258	0513R18C3VPV130SM21HYB04P1	3	10
0513870226	0513R18C3VPV164SM21HY B04	3	10
0513870216	0513R18C3VPV164SM21HYB04 P1	3	10
0513300208	0513R18C3VPV16SM21FYB03	3	10
0513300202	0513R18C3VPV16SM21FZB03	3	10
0513300212	0513R18C3VPV16SM21HYB03	3	10
0513300246	0513R18C3VPV16SM21HYB03 P1	3	10
0513400208	0513R18C3VPV25SM21FYB03	3	10
0513400212	0513R18C3VPV25SM21HYB03	3	10
0513500216	0513R18C3VPV32SM21FYB03	3	10
0513500206	0513R18C3VPV32SM21FZB03	3	10
0513500220	0513R18C3VPV32SM21HYB03	3	10
0513500254	0513R18C3VPV32SM21HYB03 P1	3	10
0513500218	0513R18C3VPV32SM21HZB03	3	10
0513600214	0513R18C3VPV45SM21HYB05	3	10
0513600234	0513R18C3VPV45SM21HYB05P1	3	10
0513600240	0513R18C3VPV45SM21HZB05	3	10
0513700218	0513R18C3VPV63SM21HYB05	3	10
0513700242	0513R18C3VPV63SM21HYB05P1	3	10
0513700214	0513R18C3VPV63SM21HZB05	3	10
0513800248	0513R18C3VPV80SM21HYB05	3	10
0513800238	0513R18C3VPV80SM21HYB05P1	3	10
0513800236	0513R18C3VPV80SM21HZB05	3	10
9511230595	PRESS REG VPV16-32 210 BAR F CONTROL SAE	3	10
9511230601	PRESS REG VPV16-32 210 BAR H CONTROL SAE	3	10
9511230610	PRESS REG VPV45-164 210 BAR H CONTROL SAE	3	10

1) "Shipment" defined as – not to exceed the time from receipt of order to Bosch Rexroth Hydraulics to shipment ex-factory (Bosch Rexroth plant location).

GoTo Focused Delivery Program: Pumps

Variable vane pumps, pilot operated PSV



As a carryover from the Racine Fluid Power legacy program, Rexroth continues to support PSV series vane pumps for both new and replacement applications. The PSV series, otherwise known as the SV or Silent Vane product line, has a very large installed base around the world. These variable displacement vane pumps have proven themselves in the most demanding applications and they have built an excellent reputation with the OEM and user markets.

For complete engineering and design information:
GoTo www.boschrexroth-us.com/GoTopumps

Features

- Sizes 1.0 to 10.0 cubic inches
- Variable displacement vane pump with pilot operated control
- Subplate versions still available on PSV10/15/20/25 sizes
- Pressures up to 2000 psi

Detailed information:

- 9535233084 (PSV10/15)
- 9535233089 (PSV20/25)
- 9535233090 (PSV40)
- 9535233091 (PSV80/100)

Technical Data

Nominal Size		10	15	20	25	40	80	100
Displacement	in ³ (cc/rev)	16 (1.0)	25 (1.5)	32 (2.0)	41 (2.5)	65 (4.0)	118 (8.0)	164 (10.0)
Flow @ 100 psi and 1800 rpm	L/min (gpm)	30.5 (8)	43.5 (11.5)	56.8 (15)	75.7 (20)	117.3 (31)	234.7 (62)	78 (295.2)
Max. system pressure	bar (psi)	138 (2000)	69 (1000)	138 (2000)	69 (1000)	138 (2000)	103 (1500)	69 (1000)
Inlet pressure	bar abs (psia)	0.8–1.7 (11.6–24.5)						
Drive speed	rpm	750–1800						
Rotation		RH only, as viewed from shaft end of pump. LH rotation phased out.						
Mount Position		Any						
Mounting		Flange to ISO 3019/1						
Weight	kg (lb)	21 (46)	21 (46)	33 (72)	33 (72)	48 (106)	80 (176)	80 (176)

Part Number	Description	Max. Quantity	Shipment (Business Days)
R978709225	PSV PNCF 20HRM -56	3	10
R978709478	PSV PNCF 20HRM 66	3	10
R978709440	PSV PNCF 40HRM 66	3	10
R978709224	PSV PNSF 20HRM -56	3	10
R978709511	PSV PSAF 10HRM 66	3	10
R978709514	PSV PSAF 15ERM 66	3	10
R978709462	PSV PSCF 20HRM 66	3	10
R978709482	PSV PSCF 25ERM 66	3	10
R978709438	PSV PSCF 40HRM 66	3	10
R978709408	PSV PSCF 80GRM 65	3	10
R978709439	PSV PSRF 40HRM 66	3	10
R978709254	PSV PSSF 10HRM -56	3	10
R978709263	PSV PSSF 15ERM -56	3	10
R978709222	PSV PSSF 20HRM -56	3	10
R978709232	PSV PSSF 25ERM -56	3	10

1) "Shipment" defined as – not to exceed the time from receipt of order to Bosch Rexroth Hydraulics to shipment ex-factory (Bosch Rexroth plant location).

GoTo Focused Delivery Program: Pumps

Radial piston pump, fixed displacement

R4



Hydraulic pumps of type R4 are integral check valve-controlled, self-priming radial piston pumps with fixed displacement. R4 pumps are designed for high pressure operation and long life.

For complete engineering and design information:
GoTo www.boschrexroth-us.com/GoTopumps

Features

- Sizes 1.6 to 20
- Radial piston pump with 3, 5 or 10 pistons
- Self-priming, valve-controlled
- Long bearing life due to hydro-dynamically lubricated plain bearings
- Optional combination with variable displacement vane and axial piston pumps

Detailed information:

- RA11263

Technical Data

Size			1.6	2.0	2.5	3.15	4.0	6.3	8.0
Displacement	$V_{g \max}$	cm ³ (in ³)	1.51 (0.09)	2.14 (0.13)	2.59 (0.16)	3.57 (0.22)	4.32 (0.26)	7.14 (0.44)	8.63 (0.53)
Operating pressure	p_{\max}	bar (PSI)	700 (10,150)	700 (10,150)	700 (10,150)	700 (10,150)	700 (10,150)	700 (10,150)	700 (10,150)
Power ¹⁾	P	kW (HP)	2.9 (3.89)	4.1 (5.50)	4.9 (6.57)	6.8 (9.12)	8.1 (10.86)	13.6 (18.24)	16.1 (21.59)
Speed	n	rpm	1000 to 2000						
Weight (approx.)	m	kg (lbs)	9.2 (20.3)	9.2 (20.3)	9.2 (20.3)	12.4 (27.3)	12.4 (27.3)	16.4 (36.1)	16.4 (36.1)

Size			3.15	5.0	6.3	8.0	10.0	16.0	20.0
Displacement	$V_{g \max}$	cm ³ (in ³)	3.39 (0.21)	4.82 (0.29)	5.83 (0.36)	8.03 (0.49)	9.71 (0.59)	16.07 (0.98)	19.43 (1.19)
Operating pressure	p_{\max}	bar (PSI)	500 (7250)	500 (7250)	500 (7250)	500 (7250)	500 (7250)	500 (7250)	500 (7250)
Power ¹⁾	P	kW (HP)	4.7 (6.30)	6.7 (8.98)	7.9 (10.59)	10.9 (14.62)	12.9 (17.30)	21.2 (28.43)	25.3 (33.93)
Speed	n	rpm	1000 to 2000						
Weight (approx.)	m	kg (lbs)	9.2 (20.3)	9.2 (20.3)	9.2 (20.3)	12.4 (27.3)	12.4 (27.3)	16.4 (36.1)	16.4 (36.1)

1) At maximum continuous operating pressure and $n = 1450$ rpm.

Part Number	Description	Max. Quantity	Shipment (Business Days)
R901093640	PR4-3X/1,60-700RA12M01	3	10
R901089173	PR4-3X/10,00-500RA01M01	3	10
R901093641	PR4-3X/10,00-500RA12M01	3	10
R901089758	PR4-3X/2,00-700RA12M01	3	10
R901093639	PR4-3X/2,50-700RA12M01	3	10
R901093852	PR4-3X/20,00-500RA12M01	3	10
R901093871	PR4-3X/3,15-500RA12M01	3	10
R901094072	PR4-3X/3,15-700RA12M01	3	10
R901093868	PR4-3X/4,00-700RA12M01	3	10
R901093643	PR4-3X/5,00-500RA12M01	3	10
R901093867	PR4-3X/6,30-500RA12M01	3	10
R901093864	PR4-3X/8,00-700RA12M01	3	10

1) "Shipment" defined as – not to exceed the time from receipt of order to Bosch Rexroth Hydraulics to shipment ex-factory (Bosch Rexroth plant location).

GoTo Focused Delivery Program: Pumps

Radial piston pump, fixed displacement

R4-Mini

	<p>Hydraulic pumps of type R4 “mini” are integral check valve-controlled, self-priming radial piston pumps with fixed displacement. R4 mini pumps are designed for low flow, high pressure operation and long life.</p> <p>For complete engineering and design information: GoTo www.boschrexroth-us.com/GoTopumps</p>
---	---

Features

- Sizes 0.4 to 2.0
- Radial piston pump with 3 pistons
- Very compact build
- Self-priming, valve-controlled
- Long service life due to hydro-dynamically lubricated plain bearings
- Optional combination with variable displacement vane pumps

Detailed information:

- RA11260

Technical Data

Size			0.4	0.63	1	1.6	2
Displacement	$V_{g \max}$	cm ³ (in ³)	0.4 (0.024)	0.63 (0.038)	1 (0.061)	1.6 (0.098)	2 (0.122)
Operating pressure	p_{\max}	bar (PSI)	700 (10,150)	700 (10,150)	450 (6500)	250 (3600)	175 (2500)
Power ¹⁾	P	kW (HP)	0.66 (0.89)	1.15 (1.54)	1.14 (1.53)	1.06 (1.42)	0.86 (1.15)
Speed	n	rpm	3400	3000	2000	2000	2000
Weight (approx.)	m	kg (lbs)	2.6 (5.73)	2.6 (5.73)	2.6 (5.73)	2.6 (5.73)	2.6 (5.73)

1) At maximum continuous operating pressure and n = 1450 rpm.

Part Number	Description	Max. Quantity	Shipment (Business Days)
R900485830	PR4-1X/0,40-700WA01M01	3	10
R900345609	PR4-1X/0,63-700WA01M01	3	10
R900490630	PR4-1X/1,00-450WA01M01	3	10
R900485829	PR4-1X/2,00-175WA01M01	3	10

1) “Shipment” defined as – not to exceed the time from receipt of order to Bosch Rexroth Hydraulics to shipment ex-factory (Bosch Rexroth plant location).

GoTo Focused Delivery Program: Motors

Variable displacement motors

(A)A6VM



Variable displacement motor (A)A6VM in axial tapered piston rotary group of bent-axis design is available for open and closed circuit applications. It can be used in both mobile and industrial applications. The output speed is dependent on the flow of the pump and the displacement of the motor. The output torque increases with the pressure differential between the high-pressure and low-pressure side and with increasing displacement.

For complete engineering and design information:
GoTo www.boschrexroth-us.com/GoTomotors

Features

- Sizes 80, 107, 160
- Series 6
- Axial tapered piston, bent-axis design
- For use in mobile and stationary applications
- Wide control range, high speeds and torque

- Compact, robust motor with long service life
- Cost savings through elimination of gear shifts and possibility of using smaller pumps
- Wide selection of control devices; good starting characteristics

Detailed information:

- Series 6:
RE91604

Technical Data

Size			80	107	160
Nominal pressure		bar (PSI)	400 (5800)	400 (5800)	400 (5800)
Peak pressure		bar (PSI)	450 (6500)	450 (6500)	450 (6500)
Displacement ¹⁾	$V_{g \max}$	cm ³ (in ³)	80 (4.88)	107 (6.53)	160 (9.76)
	$V_{g 0}$	cm ³ (in ³)	0 (0)	0 (0)	0 (0)
Max. speed ²⁾ (while adhering to the maximum permissible flow)	n_{\max} at $V_{g \max}$	rpm	3900	3550	3100
	n_{\max} at $V_g < V_{g x}$	rpm	6150	5600	4900
	$V_{g x} = 0.63 \times V_{g \max}$	cm ³ (in ³)	51 (3.11)	68 (4.15)	101 (6.16)
	n_{\max} at $V_{g 0}$	rpm	7350	6300	5500
Max. flow	$q_{V \max}$	L/min (GPM)	312 (82)	380 (100)	496 (131)
Max. torque	T_{\max} at $V_{g \max}$ ³⁾	Nm (lb-ft)	509 (375)	681 (502)	1019 (752)
Rotary stiffness $V_{g \max}$ to $V_{g/2}$	C_{\min}	Nm/rad (lb-ft/rad)	15500 (11432)	21000 (15489)	35300 (26036)
			$V_{g/2}$ to 0 (interpolated)	C_{\max}	Nm/rad (lb-ft/rad)
Moment of inertia for rotary group	JTW	kgm ² (lb-ft ²)	0.0080 (0.190)	0.0127 (0.301)	0.0253 (0.600)
Maximum angular acceleration	a	rad/s ²	24000	19000	11000
Filling capacity	V	L (Gal)	1.2 (0.32)	1.5 (0.40)	2.4 (0.63)
Mass (approx.)	m	kg (lbs.)	34 (75)	47 (104)	64 (141)

1) The minimum and maximum displacement are infinitely adjustable, see ordering code, page 3.

(default settings for sizes 250 to 1000 unless specified in the order: $V_{g \min} = 0.2 \cdot V_{g \max}$, $V_{g \max} = V_{g \max}$).

2) $V_g x = 0.75 \times V_{g \max}$ (appr.)

3) Sizes 28 to 200: $\Delta p = 400$ bar (5800 PSI); sizes 250 to 1000: $\Delta p = 350$ bar (5100 PSI)

Caution: Exceeding the permissible limit values may result in a loss of function, a reduction in service life or in the destruction of the axial piston unit. Other permissible limit values with respect to speed variation, reduced angular acceleration as a function of the frequency and the permissible startup angular acceleration (lower than the maximum angular acceleration) can be found in data sheet RE90261.

Part Number	Description	Max. Quantity	Shipment (Business Days)
R902249616	A6VM080EZ700H00XG/65AWV0C2S7200-Y	5 / >5	10 / 40
R902249618	A6VM080HP5000000G/65AWV0C2S7200-0	3 / >3	10 / 40
R902092169	AA6VM 107 HD1 /63W-VSD52000-B	5 / >5	10 / 40
R902206693	AA6VM 107 HD1 /63W-VSD520B	5 / >5	10 / 40
R902092085	AA6VM 160 HD1 /63W-VSD520B-E	5 / >5	10 / 40
R902216582	AA6VM 160 HD2 /63W-VSD520B	5 / >5	10 / 40

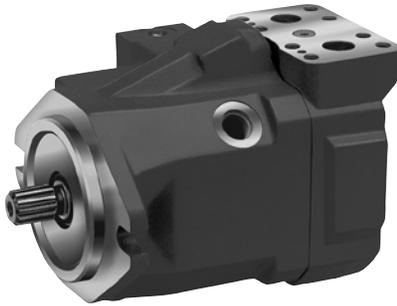
GoTo™ Graduated Lead Times available for quantities exceeding the standard GoTo max. quantity!

1) "Shipment" defined as – not to exceed the time from receipt of order to Bosch Rexroth Hydraulics to shipment ex-factory (Bosch Rexroth plant location).

GoTo Focused Delivery Program: Motors

Variable displacement motors

A10VM



Variable dual displacement motor A10VM in axial swashplate design is available for both open and closed circuit applications. Output speed is directly proportional to inlet flow and inversely proportional to motor displacement and output torque increases proportional to the pressure difference between high and low pressure sides and increasing displacement. Heavy duty design allows for high output speeds, long service life, and high power to weight ratio.

For complete engineering and design information:
GoTo www.boschrexroth-us.com/GoTomotors

Features

- Size 45 & 63
- Axial piston swashplate design
- Open and closed circuit
- High permissible output speeds

Detailed information:

- RA91703

Technical Data

Size				45	63
Displacement	$V_{g \max}$	cm^3 (in^3)		45 (2.75)	62 (3.78)
Speed	n_{\max}	rpm		4000	3300
Flow	at n_{\max}	qv_{\max}	l/min (GPM)	47.5 (180)	205 (54)
Power	$\Delta p = 280 \text{ bar (4000 psi)}$	p_{\max}	kW	84	95
Torque	$\Delta p = 280 \text{ bar (4000 psi)}$	T_{\max}	Nm (lb/ft)	200 (146)	276 (200)
Weight (approx.)		m	kg (lbs.)	18 (39.7)	26 (57.3)

Part Number	Description	Max. Quantity	Shipment (Business Days)
R902505405	A10VM 45 DG /52W1-VWC60N000	10 / >10	10 / 40
R902505407	A10VM 45 DG /52W1-VWC66N007	10 / >10	10 / 40
R902505404	A10VM 45 DG /52W2-VRC66N007	10 / >10	10 / 40
R902505401	A10VM 45 DG /52W1-VRC60N000	10 / >10	10 / 40
R902505403	A10VM 45 DG /52W1-VRC66N007	10 / >10	10 / 40
R902505402	A10VM 45 DG /52W2-VRC60N000	10 / >10	10 / 40
R902505406	A10VM 45 DG /52W2-VWC60N000	10 / >10	10 / 40
R902505408	A10VM 45 DG /52W2-VWC66N007	10 / >10	10 / 40
R902505323	A10VM 45 HZ /52W1-VRC66N007	10 / >10	10 / 40
R902505321	A10VM 45 HZ /52W1-VWC60N000	10 / >10	10 / 40
R902505319	A10VM 45 HZ /52W2-VRC60N000	10 / >10	10 / 40
R902505324	A10VM 45 HZ /52W2-VRC66N007	10 / >10	10 / 40
R902505322	A10VM 45 HZ /52W2-VWC60N000	10 / >10	10 / 40
R902505326	A10VM 45 HZ /52W2-VWC66N007	10 / >10	10 / 40
R902503914	A10VM 63 HZ /52W2-VWC60N000	10 / >10	10 / 40
R902505409	A10VM 63 HZ /52W1-VWC60N000	10 / >10	10 / 40

GoTo™ Graduated Lead Times available for quantities exceeding the standard GoTo max. quantity!

1) "Shipment" defined as – not to exceed the time from receipt of order to Bosch Rexroth Hydraulics to shipment ex-factory (Bosch Rexroth plant location).

GoTo Focused Delivery Program: Motors

Fixed displacement motors

(A)A2FM



Fixed motor with axial tapered piston rotary group of bent axis design A(A)2FM, is available for hydrostatic drives in open and closed circuits. For use in mobile and stationary application areas, the output speed is dependent on the flow of the pump and the displacement of the motor. The output torque increases with the pressure differential between the high and low pressure sides. Careful selection of the displacements offered, permit sizes to be matched to practically every application.

For complete engineering and design information:
GoTo www.boschrexroth-us.com/GoTomotors

Features

- Series 6, Sizes 16 to 180
- Fixed motor with axial tapered piston rotary group of bent axis design
- Open and closed circuits
- High power density and overall efficiency
- Compact design

Detailed information:

- Series 6:
RA91001

Technical Data

Size			16	28	32	45	56	63	
Displacement	V_g	cm ³ (in ³)	16 (0.98)	28.1 (1.71)	32 (1.95)	45.6 (2.78)	56.1 (3.42)	63 (3.84)	
Max. speed ¹⁾	n_{max}	rpm	8000	6300	6300	5600	5000	5000	
	n_{max} intermit. ¹⁾	rpm	8800	6900	6900	6200	5500	5500	
Max. flow	$q_{V max}$	l/min (GPM)	128 (33.9)	176 (46.6)	201 (52.2)	255 (67.4)	280 (74.0)	315 (83.1)	
Torque	$\Delta p = 5100$ PSI (350 bar)	T	Nm (lb-ft)	88 (66)	156 (115)	178 (132)	254 (188)	312 (231)	350 (259)
	$\Delta p = 5800$ PSI (400 bar)	T	Nm (lb-ft)	100 (75)	178 (131)	213 (150)	290 (213)	356 (263)	400 (295)
Weight (approx.)	m	kg (lbs.)	5.4 (12)	9.5 (21)	9.5 (21)	13.5 (30)	18 (40)	18 (40)	

Size			80	90	107	125	160	180	
Displacement	V_g	cm ³ (in ³)	4.91 (80.4)	5.49 (90)	6.51 (106.7)	7.63 (125)	9.79 (160.4)	10.98 (180)	
Max. speed ¹⁾	n_{max}	rpm	4500	4500	4000	4000	3600	3600	
	n_{max} intermit. ¹⁾	rpm	5000	5000	4400	4400	4000	4000	
Max. flow	$q_{V max}$	l/min (GPM)	360 (95.6)	405 (106.9)	427 (112.7)	500 (132.1)	577 (152.5)	646 (171.1)	
Torque	$\Delta p = 5100$ PSI (350 bar)	T	Nm (lb-ft)	445 (332)	501 (371)	595 (440)	697 (516)	889 (662)	1001 (742)
	$\Delta p = 5800$ PSI (400 bar)	T	Nm (lb-ft)	508 (377)	572 (422)	680 (500)	796 (587)	1016 (753)	1144 (844)
Weight (approx.)	m	kg (lbs.)	23 (51)	23 (51)	32 (71)	32 (71)	45 (99)	45 (99)	

1) Intermittent maximum speed: overspeed at discharge and over-running travel operations, $t < 5$ s and $\Delta p < 2200$ psi (150 bar)

Part Number	Description	Max. Quantity	Shipment (Business Days)
R902137843	AA2FM 107 /61W-VSD510	5 / >5	10 / 40
R902138182	AA2FM 125 /61W-VSD510	5 / >5	10 / 40
R902137733	AA2FM 125 /61W-VSD520	5 / >5	10 / 40
R902138093	AA2FM 125 /61W-VSD527	5 / >5	10 / 40
R902197791	AA2FM 16 /61W-VSC530	5 / >5	10 / 40
R902193516	AA2FM 160 /61W-VSD520	5 / >5	10 / 40
R902193869	AA2FM 180 /61W-VSD510	5 / >5	10 / 40
R902193712	AA2FM 180 /61W-VSD520	5 / >5	10 / 40
R902198240	AA2FM 28 /61W-VSD520	5 / >5	10 / 40
R902193517	AA2FM 28 /61W-VSD530	5 / >5	10 / 40
R902197566	AA2FM 28 /61W-VSD540	5 / >5	10 / 40
R902193710	AA2FM 32 /61W-VBD540	5 / >5	10 / 40
R902202055	AA2FM 32 /61W-VSD520	5 / >5	10 / 40
R902198042	AA2FM 32 /61W-VSD540	5 / >5	10 / 40
R902193533	AA2FM 45 /61W-VPD510	5 / >5	10 / 40
R902193514	AA2FM 45 /61W-VSD510	5 / >5	10 / 40
R902196957	AA2FM 45 /61W-VSD520	5 / >5	10 / 40
R902160543	AA2FM 56 /61W-VBD510	5 / >5	10 / 40
R902161224	AA2FM 63 /61W-VSD510	5 / >5	10 / 40
R902160055	AA2FM 63 /61W-VSD520	5 / >5	10 / 40
R902137826	AA2FM 80 /61W-VSD510	5 / >5	10 / 40
R902137579	AA2FM 80 /61W-VUDN520	5 / >5	10 / 40

GoTo™ Graduated Lead Times available for quantities exceeding the standard GoTo max. quantity!

1) "Shipment" defined as – not to exceed the time from receipt of order to Bosch Rexroth Hydraulics to shipment ex-factory (Bosch Rexroth plant location).

GoTo Focused Delivery Program: Motors

Fixed displacement motors

A10FM



Fixed displacement axial piston motor A10FM in swashplate design is available for both open and closed circuit applications. For use in a wide-array of mobile and industrial applications, the well-proven A10-rotary group design boasts a high power to weight ratio along with long service life and low noise levels. The output speed is proportional to the inlet flow and torque increases with the pressure differential between the high and low pressure sides.

For complete engineering and design information:
GoTo www.boschrexroth-us.com/GoTomotors

Features

- Sizes 23 to 63
- Axial piston swashplate design
- Open and closed circuit
- High permissible output speeds

Detailed information:

- RE91172

Technical Data

Size			23	28	37	45	58	63
Displacement	$V_{g \max}$	cm ³ (in ³)	23.5 (1.43)	28.5 (1.73)	36.7 (2.24)	44.5 (2.71)	58 (3.53)	63.1 (3.84)
Speed	n_{\max}	rpm	4900	4700	4200	4000	3600	3400
Flow at n_{\max}	qV_{\max}	l/min (GPM)	115 (30.4)	134 (35.4)	154 (40.7)	178 (47)	209 (55.2)	215 (56.8)
Power $\Delta p = 280$ bar (4000 psi)	p_{\max}	kW	53.6	62.5	71.8	83.1	97.4	100.1
Torque $\Delta p = 280$ bar (4000 psi)	T_{\max}	Nm (lb/ft)	105 (77.4)	127 (93.7)	163 (120)	198 (146)	258 (190)	281 (207)
Weight (approx.)	m	kg (lbs.)	12 (26.5)	12 (26.5)	17 (37.5)	17 (37.5)	22 (48.5)	22 (48.5)

Part Number	Description	Max. Quantity	Shipment (Business Days)
R902505308	A10FM 23 /52W-VCC66N000	10 / >10	10 / 40
R902505313	A10FM 28 /52W-VCC66N000	10 / >10	10 / 40
R902505302	A10FM 37 /52W-VRC60N000	10 / >10	10 / 40
R902534861	A10FM 37 /52W-VRC60N000	10 / >10	10 / 40
R902505309	A10FM 37 /52W-VRC66N000	10 / >10	10 / 40
R902506699	A10FM 37 /52W-VWC60N000	10 / >10	10 / 40
R902500025	A10FM 37 /52W-VWC66N000	10 / >10	10 / 40
R910995633	A10FM 45 /52W-VRC60N000	10 / >10	10 / 40
R902406027	A10FM 45 /52W-VRC66N000	10 / >10	10 / 40
R902505311	A10FM 45 /52W-VWC60N000	10 / >10	10 / 40
R902505312	A10FM 45 /52W-VWC66N000	10 / >10	10 / 40
R902505315	A10FM 58 /52W-VCC60N000	10 / >10	10 / 40
R902505314	A10FM 58 /52W-VWC60N000	10 / >10	10 / 40
R902505316	A10FM 63 /52W-VWC60N000	10 / >10	10 / 40
R902505747	A10FM 63 /52W-VWC60N000	10 / >10	10 / 40

GoTo™ Graduated Lead Times available for quantities exceeding the standard GoTo max. quantity!

1) "Shipment" defined as – not to exceed the time from receipt of order to Bosch Rexroth Hydraulics to shipment ex-factory (Bosch Rexroth plant location).

GoTo Focused Delivery Program: Motors

External gear motors

AZMF



Bosch Rexroth has been involved with the design, development and manufacture of gear motors for many decades. Well-proven designs, the use of specially developed materials, constant testing and sophisticated mass production techniques ensure products of the very highest quality.

For complete engineering and design information:
GoTo www.boschrexroth-us.com/GoTomotors

Features

- Sizes 8 to 22 cc
- High pressures with small installation space and low weight
- Wide speed ranges
- Wide viscosity and temperature ranges
- Reversible motors for 2- and 4-quadrant operation
- Plain bearings for high loads
- Consistently high quality owing to large-scale production
- Many design variants available

Detailed information:

- RA14025

Technical Data

Size		008	011	014	016	019	022
Displacement	cm ³ /rev (in ³ /rev)	8.2 (0.50)	11.3 (0.69)	14.3 (0.87)	16.5 (1.01)	19.5 (1.19)	22.9 (1.40)
Max. continuous pressure	p_1 bar (PSI)	210 (3045)	210 (3045)	210 (3045)	210 (3045)	180 (2610)	180 (2610)
Max. starting pressure	p_2 bar (PSI)	280 (4060)	280 (4060)	280 (4060)	280 (4060)	210 (3045)	210 (3045)
Min. rotational speed	p_1 min ⁻¹	500	500	500	500	500	500
Max. rotational speed		4000	3500	3000	3000	3000	3000
Motor outlet pressure Leakage-oil line pressure	p_A bar p_L (PSIA)						

*) Short-term when starting 10 bar (145 PSI)

Part Number	Description	Max. Quantity	Shipment (Business Days)
0511625001	AZMF-11-016RFB20MB	3	10
9511290007	AZMF-12-008-UQR12ML	3	10
9511290013	AZMF-12-008-UQR12ML-S0022	3	10
9511290014	AZMF-12-011-UQR12ML-S0022	3	10
9511290015	AZMF-12-014-UQR12ML -S0022	3	10
9511290027	AZMF-12-014-UQR12ML-S0018	3	10
9511290010	AZMF-12-016-UQR12ML	3	10
9511290029	AZMF-12-019-UQR12ML-S0018	3	10
9511290017	AZMF-12-019-UQR12ML-S0022	3	10
9511290035	AZMF-12-019-UQR12ML-S0030	3	10
9511290018	AZMF-12-022-UQR12ML-S0022	3	10

1) "Shipment" defined as – not to exceed the time from receipt of order to Bosch Rexroth Hydraulics to shipment ex-factory (Bosch Rexroth plant location).

GoTo Focused Delivery Program: Motors

Radial piston motors

MCR



The MCR radial piston motors are low-speed high-torque hydraulic motors which operate according to the multiple-stroke principle. The relationship between roll diameter and cam profile is optimized inside the central power unit. This results in the best possible balance of forces between piston and cam path and simultaneously extends the service life. The step-piston power unit or high-displacement power unit yields a very compact drive unit with high power density. MCR motors can be used both in open as well as in closed circuits.

For complete engineering and design information:
GoTo www.boschrexroth-us.com/GoTomotors

Features

- Sizes 160, 225, 255, 280, 325, 365, 400, 820
- Compact, robust design
- Uniform concentric running, even at very low speeds
- Reversible
- High Radial forces permissible on the output shaft
- Sealed tapered roller bearing

Detailed information:

- MCR 03:
RE15205
- MCR 05:
RE15206

Technical Data

Frame Size 3	Size		160	225	255	280	325	365	400
	Swept Volume	$V_{g \max}$	cm ³	160	225	255	280	325	365
Torque	T_{\max}	Nm	1022	1386	1570	1760	1875	2105	2307
Speed, intermittent	n_{\max}	rpm	400	400	360	330	310	280	260
Pressure Difference	Δp_{\max}	bar	450	450	450	450	400	400	400
Weight	m	kg	20	20	20	20	20	20	20

Frame Size 5	Size		820
Swept Volume	$V_{g \max}$	cm ³	820
Torque	T_{\max}	Nm	4860
Speed, intermittent	n_{\max}	rpm	220
Pressure Difference	Δp_{\max}	bar	400
Weight	m	kg	39

Part Number	Description	Max. Quantity	Shipment (Business Days)
R921175244	MCR3 CAM 160CC	4 / >4	10 / 40
R921176358	MCR3 CAM 225 & 325CC	4 / >4	10 / 40
R921175242	MCR3 CAM 255 & 365CC	4 / >4	10 / 40
R921178863	MCR3 CAM 280 & 400CC	4 / >4	10 / 40
R921856417	MCR3 LD ROTATING GROUP S/A	4 / >4	10 / 40
R921811056	MCR3A365A45Z32A0M1L01	2 / >2	10 / 40
R986520013	MCR3F160F180Z32AOM2WL12SP0S0536A-GO2	4 / >4	10 / 40
R986520001	MCR3F160F180Z32AOM2WL12SP1S0536A-GO2	4 / >4	10 / 40
R986520012	MCR3F160F180Z32B2M2WL12SP0S0536A-GO2	4 / >4	10 / 40
R986520000	MCR3F160F180Z32B2M2WL12SP1S0536A-GO2	4 / >4	10 / 40
R986520015	MCR3F225F180Z32AOM2WL12SP0S0536A-GO2	4 / >4	10 / 40
R986520003	MCR3F225F180Z32AOM2WL12SP1S0536A-GO2	4 / >4	10 / 40
R986520014	MCR3F225F180Z32B2M2WL12SP0S0536A-GO2	4 / >4	10 / 40
R986520002	MCR3F225F180Z32B2M2WL12SP1S0536A-GO2	4 / >4	10 / 40
R986520017	MCR3F255F180Z32AOM2WL12SP0S0536A-GO2	4 / >4	10 / 40
R986520005	MCR3F255F180Z32AOM2WL12SP1S0536A-GO2	4 / >4	10 / 40
R986520016	MCR3F255F180Z32B2M2WL12SP0S0536A-GO2	4 / >4	10 / 40
R986520004	MCR3F255F180Z32B2M2WL12SP1S0536A-GO2	4 / >4	10 / 40
R986520019	MCR3F280F180Z32AOM2WL12SP0S0536A-GO2	4 / >4	10 / 40
R986520007	MCR3F280F180Z32AOM2WL12SP1S0536A-GO2	4 / >4	10 / 40
R986520018	MCR3F280F180Z32B2M2WL12SP0S0536A-GO2	4 / >4	10 / 40
R986520006	MCR3F280F180Z32B2M2WL12SP1S0536A-GO2	4 / >4	10 / 40
R986520021	MCR3F325F180Z32AOM2WL12SP0S0536A-GO2	4 / >4	10 / 40
R986520009	MCR3F325F180Z32AOM2WL12SP1S0536A-GO2	4 / >4	10 / 40
R986520020	MCR3F325F180Z32B2M2WL12SP0S0536A-GO2	4 / >4	10 / 40
R986520008	MCR3F325F180Z32B2M2WL12SP1S0536A-GO2	4 / >4	10 / 40
R986520023	MCR3F365F180Z32AOM2WL12SP0S0536A-GO2	4 / >4	10 / 40
R986520011	MCR3F365F180Z32AOM2WL12SP1S0536A-GO2	4 / >4	10 / 40
R986520022	MCR3F365F180Z32B2M2WL12SP0S0536A-GO2	4 / >4	10 / 40
R986520010	MCR3F365F180Z32B2M2WL12SP1S0536A-GO2	4 / >4	10 / 40
R986520025	MCR3F400F180Z32AOM2WL12SP0S0536A-GO2	4 / >4	10 / 40
R921811510	MCR3F400F180Z32AOM2WL12SP1S0536A	4 / >4	10 / 40
R986520024	MCR3F400F180Z32B2M2WL12SP0S0536A-GO2	4 / >4	10 / 40
R921811511	MCR3F400F180Z32B2M2WL12SP1S0536A	4 / >4	10 / 40
R921805100	MCR5D820L50Z32A0M1L12	2 / >2	10 / 40
R921856740	Speed Sensor S/A P0 (speed sensor ready)	4 / >4	10 / 40

GoTo™ Graduated Lead Times available for quantities exceeding the standard GoTo max. quantity!

1) "Shipment" defined as – not to exceed the time from receipt of order to Bosch Rexroth Hydraulics to shipment ex-factory (Bosch Rexroth plant location).

GoTo Focused Delivery Program: Motors

High torque vane motors

Rineer MV015 Series



Bosch Rexroth Rineer MV015 Series Hydraulic Vane Motors provide high torque at start & stall, medium speed, and reliability in demanding applications. The patented Vane-Crossing-Vane design allows for high power-to-weight ratio, improved mechanical & volumetric efficiency. The rotating group is hydraulically balanced internally, resulting in no significant loads induced on the motor bearings which contribute to long service life. A variety of displacements & configurations are available on the GoTo Program.

For complete engineering and design information:
GoTo www.boschrexroth-us.com/GoTomotors

Features

- Patented Vane-Crossing-Vane design
- High torque at start & stall
- Speed to 2000 rpm continuous & 2600 rpm intermittent
- Operating pressure to 207 bar continuous
- Can conform to SAE C mounting specification
- High power-to-weight ratio
- Reliability in heavy duty & demanding applications
- Variety of displacements

Detailed information:

- RA10551

Technical Data

Code 61 Series	Displacement cm ³ /rev (in ³ /rev)	Pressure		Speed		Torque @ 207 bar
		Continuous bar (psi)	Intermittent bar (psi)	Continuous (rpm)	Intermittent (rpm)	Continuous Nm (lb-ft)
R986V00875	213 (13)	207 (3000)	241 (3500)	1500	2000	580 (428)
R986V00894	246 (15)	207 (3000)	241 (3500)	1500	2000	690 (509)
R986V00905	246 (15)	207 (3000)	241 (3500)	1500	2000	690 (509)
R986V00909	246 (15)	207 (3000)	241 (3500)	1500	2000	690 (509)
R986V00941	98 (6)	207 (3000)	241 (3500)	2000	2600	248 (183)
R986V00974	131 (8)	207 (3000)	241 (3500)	1800	2600	372 (274)
R986V00983	156 (9.5)	207 (3000)	241 (3500)	1700	2300	418 (308)

Part Number	Description	Max. Quantity	Shipment (Business Days)
R986V00941	MV015-61-1S-006-31-B1-QB-000	5 / >5	10 / 40
R986V00974	MV015-61-1S-008-31-B1-QB-000	5 / >5	10 / 40
R986V00983	MV015-61-1S-009-30-B1-QB-000	5 / >5	10 / 40
R986V00875	MV015-61-1S-013-30-B1-QB-000	5 / >5	10 / 40
R986V00894	MV015-61-1S-015-30-B1-QB-000	5 / >5	10 / 40
R986V00909	MV015-61-1S-015-31-B1-QB-000	5 / >5	10 / 40
R986V00905	MV015-61-1S-015-31-B1-TB-000	5 / >5	10 / 40

GoTo™ Graduated Lead Times available for quantities exceeding the standard GoTo max. quantity!

1) "Shipment" defined as – not to exceed the time from receipt of order to Bosch Rexroth Hydraulics to shipment ex-factory (Bosch Rexroth plant location).

GoTo Focused Delivery Program: Motors

High torque vane motors

Rineer MV037 Series



Bosch Rexroth Rineer MV037 Series Hydraulic Vane Motors provide high torque at start & stall, medium speed, and reliability in demanding applications. The patented Vane-Crossing-Vane design allows for high power-to-weight ratio, improved mechanical & volumetric efficiency. The rotating group is hydraulically balanced internally, resulting in no significant loads induced on the motor bearings which contribute to long service life. A variety of displacements & configurations are available on the GoTo Program.

For complete engineering and design information:
GoTo www.boschrexroth-us.com/GoTomotors

Features

- Patented Vane-Crossing-Vane design
 - High torque at start & stall
 - Speed to 1000 rpm continuous & 1200 rpm intermittent
 - Operating pressure to 310 bar continuous
 - Can conform to SAE D mounting specification
 - High power-to-weight ratio
 - Reliability in heavy duty & demanding applications
 - Variety of displacements
- Detailed information:**
- RA10550

Technical Data

Code	Displacement cm ³ /rev (in ³ /rev)	Pressure		Speed		Torque @ 207 bar
		Continuous bar (PSI)	Intermittent bar (PSI)	Continuous (rpm)	Intermittent (rpm)	Continuous Nm (lb-ft)
Code 61 Series						
R986V00435	328 (20)	207 (3000)	241 (3500)	1000	1200	979 (722)
R986V00441	328 (20)	207 (3000)	241 (3500)	1000	1200	979 (722)
R986V00451	426 (26)	207 (3000)	241 (3500)	800	1000	1247 (920)
R986V00452	426 (26)	207 (3000)	241 (3500)	800	1000	1247 (920)
R986V00454	426 (26)	207 (3000)	241 (3500)	800	1000	1247 (920)
R986V00469	524 (32)	207 (3000)	241 (3500)	700	950	1550 (1143)
Code 62 Series						
R986V00693	328 (20)	310 (4500)	345 (5000)	1000	1200	1497 (1104)
R986V00696	328 (20)	310 (4500)	345 (5000)	1000	1200	1497 (1104)
R986V00697	328 (20)	310 (4500)	345 (5000)	1000	1200	1497 (1104)

Part Number	Description	Max. Quantity	Shipment (Business Days)
R986V00435	MV037-A2-1S-020-30-B1-TBB-000	5 / >5	10 / 40
R986V00441	MV037-A2-1S-020-31-B1-TBB-000	5 / >5	10 / 40
R986V00452	MV037-A2-1S-026-30-B1-QBB-000	5 / >5	10 / 40
R986V00451	MV037-A2-1S-026-30-B1-TBB-000	5 / >5	10 / 40
R986V00454	MV037-A2-1S-026-31-B1-TBB-000	5 / >5	10 / 40
R986V00469	MV037-A2-1S-032-31-B1-TBB-000	5 / >5	10 / 40
R986V00697	MV037-D2-2S-020-30-T1-TVD-127	5 / >5	10 / 40
R986V00696	MV037-D2-2S-020-30-T1-TVD-141	5 / >5	10 / 40
R986V00693	MV037-D2-2S-020-31-B1-TVD-112	5 / >5	10 / 40

GoTo™ Graduated Lead Times available for quantities exceeding the standard GoTo max. quantity!

1) "Shipment" defined as – not to exceed the time from receipt of order to Bosch Rexroth Hydraulics to shipment ex-factory (Bosch Rexroth plant location).

GoTo Focused Delivery Program: Check Valves

Check valves

S

	<p>S model check valves are have a poppet design for reliable, leak-free operation. They are in-line mounted. Ports are "/12" for SAE, or G-pipe threads. This new series has a higher pressure rating. J3 corrosion protection is now included (240 hour salt spray test according to EN ISO 9227).</p> <p>For complete engineering and design information: GoTo www.boschrexroth-us.com/GoTocheck</p>
---	--

Features

- Sizes 10 to 30
- Leak-free isolation, in one direction
- In-line connection
- Increased pressure rating
- Corrosion protection included, J3

Detailed information:
• RE20378

Technical Data

Size		10	15	20	25	30
Max. Operating Pressure	p_{max} bar (psi)	450 (6525)	450 (6525)	450 (6525)	420 (6090)	420 (6090)
Port connection	omit "/12"	G1/2 3/4-16 UNF	G3/4 1 1/6-12 UNF	G1 1 5/16-12 UNF	G1-1/4 1 5/8-12 UNF	G1-1/2 1 7/8-12 UNF
Max. Flow (see RE20378 curves)	$q_{v max}$ lpm (gpm)	50 (14)	140 (37)	200 (53)	300 (80)	400 (106)
Cracking pressure (no spring)	bar (psi)	0, 0.5, 1.5 (0), (7), (22)				

Part Number	Description	Max. Quantity	Shipment (Business Days)
R901424189	S 10 A05-1X/450J3	3	10
R901449002	S 10 A05-1X/450J3/12	3	10
R901454065	S 15 A05-1X/450J3	3	10
R901454180	S 15 A05-1X/450J3/12	3	10
R901454185	S 20 A00-1X/450J3/12	3	10
R901454073	S 20 A05-1X/450J3/12	3	10
R901454186	S 20 A15-1X/450J3/12	3	10
R901454190	S 25 A05-1X/420J3/12	3	10
R901454090	S 30 A05-1X/420J3	3	10
R901454196	S 30 A05-1X/420J3/12	3	10
R901454197	S 30 A15-1X/420J3/12	3	10

1) "Shipment" defined as – not to exceed the time from receipt of order to Bosch Rexroth Hydraulics to shipment ex-factory (Bosch Rexroth plant location).

GoTo Focused Delivery Program: Check Valves

Check valves, cartridge type

M-SR



M-SR check valves are cartridge assemblies for use in manifold applications. Flow capacities of 8 GPM – 106 GPM over six cartridge sizes permit a broad application potential. Both the right angle version “KE” or straight through version “KD” feature guided poppets with varying biasing spring options. M-SR check valves can be secured in a manifold utilizing a BSP or SAE plug (pressure limits applicable). The cavity is a relatively straight bore, therefore complicated tooling is not required.

For complete engineering and design information:
GoTo www.boschrexroth-us.com/GoTocheck

Features

- Sizes 10 to 30
- For block installations:
 - Right-angled valve (“KE”)
 - Straight valve (“KD”)
- Leak-free isolation in one direction
- Plug screw with pipe thread or metric ISO thread
- Various cracking pressures

Detailed information:

- RE20380

Technical Data

Size				8	10	15	25	30
Operating pressure	p_{\max}	bar (PSI)	315 (4600)	315 (4600)	315 (4600)	315 (4600)	315 (4600)	315 (4600)
Cracking pressure		bar (PSI)	Without spring: 0.2 (2.90); 0.5 (7.25); 1.5 (21.76); 3.0 (43.51); 5.0 (72.52)					
Flow	“KE”	$q_{V \max}$	l/min (GPM)	35 (9.20)	50 (13.21)	120 (31.70)	300 (79.25)	400 (105.67)
	“KD”	$q_{V \max}$	l/min (GPM)	35 (9.20)	50 (13.21)	120 (31.70)	300 (79.25)	400 (105.67)

Part Number	Description	Max. Quantity	Shipment (Business Days)
R900345745	M-SR 10 KE02-1X/	5	10
R900344549	M-SR 10 KE05-1X/	5	10
R900348632	M-SR 10 KE05-1X/V	5	10
R900348943	M-SR 15 KE02-1X/	5	10
R900345372	M-SR 15 KE05-1X/	5	10
R900345744	M-SR 20 KE02-1X/	5	10
R900350795	M-SR 20 KE05-1X/V	5	10
R900357739	M-SR 25 KE02-1X/	5	10
R900344778	M-SR 25 KE05-1X/	5	10
R900345743	M-SR 30 KE02-1X/	5	10
R900344919	M-SR 30 KE05-1X/	5	10
R900350797	M-SR 30 KE05-1X/V	5	10
R900349973	M-SR 30 KE50-1X/	5	10
R900357718	M-SR 8 KE05-1X/V	5	10
R900348329	M-SR 8 KE30-1X/	5	10
R900340979	M-SR20KE05-1X/	5	10

1) "Shipment" defined as – not to exceed the time from receipt of order to Bosch Rexroth Hydraulics to shipment ex-factory (Bosch Rexroth plant location).

GoTo Focused Delivery Program: Check Valves

Filling valve – sandwich plate

ZSF



The valve type ZSF is a pilot operated check valve in sandwich plate design. It is used for the leakage-free isolation of pressurized working circuits (e.g. pressing cylinders). Due to its favorable flow characteristics and the low cracking pressure of the main poppet, it is particularly suitable on presses.

For complete engineering and design information:
GoTo www.boschrexroth-us.com/GoTocheck

Features

- Sizes 32 to 200
- Pilot operated check valve in sandwich plate design
- With or without pre-opening, optional
- Control by built-on directional spool valve or directional seat valve, optional
- Integrated high-pressure connection (size 32 to 160)
- Integrated throttle check valve (size 200)

Detailed information:

- RE20478

Technical Data

Size			30
Maximum operating pressure	– Port B, P	bar (PSI)	350 (5100)
	– Port X	bar (PSI)	150 (2175)
	– Port A	bar (PSI)	16 (232)
Control pressure		bar (PSI)	~0.12 (~1.74)

Part Number	Description	Max. Quantity	Shipment (Business Days)
R901089756	ZSF 125 F1-1-2X/M/01	5	10
R900539730	ZSF 40 F1-1-1X/M/12	5	10
R900539731	ZSF 50 F1-1-1X/M/12	5	10
R900539733	ZSF 80 F1-1-1X/M/12	5	10

1) "Shipment" defined as – not to exceed the time from receipt of order to Bosch Rexroth Hydraulics to shipment ex-factory (Bosch Rexroth plant location).

GoTo Focused Delivery Program: Check Valves

Check valve, hydraulically pilot operated SV & SL

	<p>The SV and SL valves are hydraulic pilot operated check valves of poppet type design which may be opened to permit flow in the reverse direction. These valves are used for the isolation of operating circuits which are under pressure, i.e. as a safe guard against the lowering of a load when a line break occurs or against creeping movement of hydraulically locked actuators. The valve basically comprises of the housing, the poppet, a compression spring, the control spool as well as optional decompression feature as a ball poppet valve.</p> <p>For complete engineering and design information: GoTo www.boschrexroth-us.com/GoTocheck</p>
---	---

Features

- Sizes 10 to 30
- For subplate mounting
- Connection location to ISO 5781
- With internal SV or external SL pilot oil drain
- With or without decompression feature, optional
- Version with decompression feature for dampened decompression (minimizing possible pressure shocks)

Detailed information:

- RE21468

Technical Data

Size		10	20	30
Maximum operating pressure	p_{max} bar (PSI)	315 (4600)	315 (4600)	315 (4600)
Control pressure	bar (PSI)	5 to 315 (72.5 to 4600)	5 to 315 (72.5 to 4600)	5 to 315 (72.5 to 4600)

Part Number	Description	Max. Quantity	Shipment (Business Days)
R900483371	SL 10 PA1-4X/	5	10
R900443419	SL 10 PB1-4X/	5	10
R900587559	SL 20 PA1-4X/	5	10
R900587560	SL 30 PA1-4X/	5	10
R900500095	SL 30 PA1-4X/V	5	10
R900599473	SL 30 PA2-4X/	5	10
R900481097	SV 10 GA1-4X//12	5	10
R900483369	SV 10 PA1-4X/	5	10
R900463364	SV 10 PA1-4X/V	5	10
R900587557	SV 20 PA1-4X/	5	10
R900587558	SV 30 PA1-4X/	5	10

1) "Shipment" defined as – not to exceed the time from receipt of order to Bosch Rexroth Hydraulics to shipment ex-factory (Bosch Rexroth plant location).

GoTo Focused Delivery Program: Check Valves

Check valves – sandwich module design

Z1S



Valve type Z1S is a direct operated check valve of sandwich plate design. They provide line contact closure in one direction and allows free flow in the opposite direction. The check function can be in one of several ports, or dual ports. The check function orientation can also be defined by model coding.

For complete engineering and design information:
GoTo www.boschrexroth-us.com/GoTocheck

Features

- Size 6 and 10
- For mounting:
 - Size 6: Porting pattern according to ISO 4401-3, NFPA T3.5.1M R1, and ANSI B 93.7 D 03
 - Size 10: Porting pattern according to ISO 4401-5, NFPA T3.5.1M R1, and ANSI B93.7 D 05
- Various isolating functions
- Various cracking pressures
- Check valve made of carbon fiber-reinforced plastic
- Excellent compatibility with various hydraulic fluids

Detailed information:

- Size 6: RE21534
- Size 10: RE21537

Technical Data

Size	6	10
Operating pressure p_{\max} bar (PSI)	350 (5100)	315 (4600)
Cracking pressure bar (PSI)	0.5 (7.25), 1.5 (21.75), 3.0 (43.5), 5.0 (72.5)	0.5 (7.25), 3.0 (43.5), 5.0 (72.5)
Flow $q_{V \max}$ l/min (GPM)	40 (10.6)	100 (26.4)

Part Number	Description	Max. Quantity	Shipment (Business Days)
R901274766	Z1S 10 B05-2-4X/F	5	10
R901274759	Z1S 10 P05-1-4X/F	5	10
R901274760	Z1S 10 TA05-2TB9-4X/F	5	10
R901086081	Z1S 6 C05-4X/V	5	10
R901086051	Z1S 6 P05-4X/V	5	10
R901086058	Z1S 6 T05-4X/V	5	10

1) "Shipment" defined as – not to exceed the time from receipt of order to Bosch Rexroth Hydraulics to shipment ex-factory (Bosch Rexroth plant location).

GoTo Focused Delivery Program: Check Valves

Piloted-to-open check valves – sandwich module Z2S



Models Z2S are pilot operated check valves in a sandwich plate design. They provide line contact closure in one or two actuator ports, even during idle periods. Piloted to open, utilizing a pressure signal from the opposite actuator port provides a self-contained function.

For complete engineering and design information:
GoTo www.boschrexroth-us.com/GoTocheck

Features

- Sizes 6 to 22
- Porting pattern according to ISO 4401-3, 5, 7, 8; NFPA T3.5.1M R1, and ANSI B93.7 D 03, D 05, D 07, D 08
- For the leak-free isolation of one or two actuator ports
- Various cracking pressures

Detailed information:

- Size 6: RE21548
- Size 10: RE21553
- Size 16: RE21558
- Size 22: RE21564

Technical Data

Size	6	10	16	22
Component series	6X	3X	5X	5X
Operating pressure p_{max} bar (PSI)	315 (4600)	315 (4600)	315 (4600)	315 (4600)
Cracking pressure bar (PSI)	1.5, 3, 7 (22, 42, 102)	1.5, 3, 6, 10 (22, 42, 87, 145)	3, 5, 7.5, 10 (42, 92.5, 109, 145)	3, 5, 7.5, 10 (42, 92.5, 109, 145)
Flow $q_{V max}$ l/min (GPM)	60 (15.9)	120 (31.7)	300 (79.3)	450 (118.9)

1) "Shipment" defined as – not to exceed the time from receipt of order to Bosch Rexroth Hydraulics to shipment ex-factory (Bosch Rexroth plant location).

Part Number	Description	Max. Quantity	Shipment (Business Days)
R900407394	Z2S 10-1-3X/	5	10
R900407439	Z2S 10-1-3X/V	5	10
R900407424	Z2S 10A1-3X/	5	10
R900407440	Z2S 10A1-3X/V	5	10
R900407465	Z2S 10B1-3X/V	5	10
R900328797	Z2S 16-1-5X/	5	10
R900412459	Z2S 16-1-5X/V	5	10
R900432915	Z2S 22-1-5X/	5	10
R900436495	Z2S 22-1-5X/V	5	10
R900347495	Z2S 6-1-6X/	5	10
R900347504	Z2S 6-1-6X/V	5	10
R900747681	Z2S 6-1-6X/V/62	5	10
R900347496	Z2S 6-2-6X/	5	10
R900347505	Z2S 6-2-6X/V	5	10
R900347498	Z2S 6A1-6X/	5	10
R900347507	Z2S 6A1-6X/V	5	10
R900347501	Z2S 6B1-6X/	5	10
R900347510	Z2S 6B1-6X/V	5	10

1) "Shipment" defined as – not to exceed the time from receipt of order to Bosch Rexroth Hydraulics to shipment ex-factory (Bosch Rexroth plant location).

GoTo Focused Delivery Program: Directional Valves

Directional poppet valves, direct operated, solenoid actuation SED & SEW



Directional control valves, model SED and SEW, are direct (SED) or lever (SEW) actuated directional poppet valves with solenoid actuation. They control the start, stop, and direction of fluid flow. Poppet valves, or seat valves, provide a line contact closure for applications where spool valve leakage or silting is not desirable.

For complete engineering and design information:
GoTo www.boschrexroth-us.com/GoTodirectional

Features

- Size 6 and 10
- For mounting:
 - Size 6: Porting pattern according to ISO 4401-3, NFPA T3.5.1M R1, and ANSI B 93.7 D 03
 - Size 10: Porting pattern according to ISO 4401-5, NFPA T3.5.1M R1, and ANSI B93.7 D 05
- Blocked port is leak-free when completely shifted
- Solenoids with detachable coil
- Pressure-tight chamber does not have to be opened for changing the coil (type SED)
- Reliable switching when under pressure over longer periods of standstill
- CSA certified part numbers available in size 6

Detailed information:

- Size 6:
SED: RE22049
SEW: RE22058
- Size 10:
SED: RE22045
SEW: RE22075

Technical Data

Type SED				
Size			6	10
Operating pressure	p_{max}	bar (PSI)	350 (5100)	350 (5100)
Flow	$q_{V max}$	l/min (GPM)	25 (6.6)	40 (10.6)

Type SEW				
Size			6	10
Operating pressure	p_{max}	bar (PSI)	420/630 (6100/9100)	420/630 (6100/9100)
Flow	$q_{V max}$	l/min (GPM)	25 (6.6)	40 (10.6)

Part Number	Description	Max. Quantity	Shipment (Business Days)
R900086685	M-3SED 10 CK1X/350CG24N9K4	5	10
R900051053	M-3SED 10 UK1X/350CG24N9K4	5	10
R900052392	M-3SED 6 CK1X/350CG24N9K4	5	10
R900218734	M-3SED 6 CK1X/350CG96N9K4	5	10
R900223676	M-3SED 6 UK1X/350CG24K4	5	10
R900052621	M-3SED 6 UK1X/350CG24N9K4	5	10
R900207848	M-3SED 6 UK1X/350CG96N9K4	5	10
R900075565	M-3SEW 10 C1X/420MG24N9K4	5	10
R900051908	M-3SEW 10 C1X/420MG96N9K4/V	5	10
R900222370	M-3SEW 10 C1X/630MG24N9K4/V	5	10
R900075563	M-3SEW 10 U1X/420MG24N9K4	5	10
R900051907	M-3SEW 10 U1X/420MG96N9K4/V	5	10
R900218367	M-3SEW 10 U1X/630MG24N9K4/V	5	10
R900213062	M-3SEW 10 U1X/630MG96N9K4	5	10
R900566273	M-3SEW 6 C3X/420MG24N9K4	5	10
R900049834	M-3SEW 6 C3X/420MG24N9K4/V	5	10
R900570252	M-3SEW 6 C3X/420MG96N9K4	5	10
R900206773	M-3SEW 6 C3X/420MG96N9K4/V	5	10
R900204628	M-3SEW 6 C3X/630MG24N9K4/V	5	10
R900051045	M-3SEW 6 C3X/630MG96N9K4	5	10
R900566283	M-3SEW 6 U3X/420MG24N9K4	5	10
R900570174	M-3SEW 6 U3X/420MG24N9K4/V	5	10
R900570744	M-3SEW 6 U3X/420MG96N9K4	5	10
R900056442	M-3SEW 6 U3X/420MG96N9K4/V	5	10
R900205344	M-3SEW 6 U3X/630MG96N9K4	5	10
R900203992	M-3SEW6U3X/420MG24N9K4=CSA	5	10

1) "Shipment" defined as – not to exceed the time from receipt of order to Bosch Rexroth Hydraulics to shipment ex-factory (Bosch Rexroth plant location).

GoTo Focused Delivery Program: Directional Valves

Directional spool valves, direct operated with manual actuation

4WMM & 4WMR



Directional valves type WMM are lever operated directional spool valves. They control the start, stop, and direction of a flow. These directional valves basically consist of housing; lever; control spool; return springs. A full array of spools are possible with variations for detented operation on both 2-position or 3-position functions. Flow and pressure rates from 4000 PSI to 5000 PSI and 16 GPM to 32 GPM cover a wide range of applications.

For complete engineering and design information:
GoTo www.boschrexroth-us.com/GoTodirectional

Features

- Size 6 and 10
- For mounting:
 - Size 6: Porting pattern according to ISO 4401-3, NFPA T3.5.1M R1, and ANSI B 93.7 D 03
 - Size 10: Porting pattern according to ISO 4401-5, NFPA T3.5.1M R1, and ANSI B93.7 D 05
- Operation by means of manual lever or roller/plunger

Detailed information:

- Size 6: RE22280
- Size 10: RE22334

Technical Data

Size			6	10
Operating pressure	p_{max}	bar (PSI)	350 (5100)	350 (5100)
Flow	$q_{V max}$	l/min (GPM)	60 (16)	160 (42.3)

1) "Shipment" defined as – not to exceed the time from receipt of order to Bosch Rexroth Hydraulics to shipment ex-factory (Bosch Rexroth plant location).

Part Number	Description	Max. Quantity	Shipment (Business Days)
R901350272	4WMM10D5X/F/M	3	10
R901350265	4WMM10E5X//M	3	10
R901350266	4WMM10E5X/F/M	3	10
R901350184	4WMM10J5X//M	3	10
R901350264	4WMM10J5X/F/M	3	10
R900468328	4WMM6D5X/	5	10
R900469301	4WMM6D5X/F	5	10
R900409450	4WMM6D5X/F/V	5	10
R900467936	4WMM6E5X/	5	10
R900405611	4WMM6E5X/F	5	10
R900471209	4WMM6G5X/	5	10
R900469533	4WMM6G5X/F	5	10
R900469302	4WMM6J5X/	5	10
R900466583	4WMM6J5X/F	5	10
R900471263	4WMM6T5X/	5	10
R900465984	4WMM6D5X/	5	10

1) "Shipment" defined as – not to exceed the time from receipt of order to Bosch Rexroth Hydraulics to shipment ex-factory (Bosch Rexroth plant location).

GoTo Focused Delivery Program: Directional Valves

Directional valves with fluid actuation

WP & WH



Valves of type WP and WH are directional spool valves with fluid actuation. They control the start, stop, and direction of flow. A full array of spools are available for both the WH and WP operator.

For complete engineering and design information:
GoTo www.boschrexroth-us.com/GoTodirectional

Features

- Size 6 and 10
- Direct operated directional spool valve
- Porting pattern according to DIN 24340 form A (**without** locating hole)
- Porting pattern according to ISO 4401-03-02-0-05 and NFPA T3.5.1 R2-2002 D03 (**with** locating hole)

Detailed information:

- Size 6: RE22282
- Size 10: RE22334

Technical Data

Size		Size 6	Size 10
Maximum operating pressure p_{max}	bar (PSI)	315 (4600)	350 (5100)
Flow $q_{v nom}$	l/min (GPM)	60 (15.8)	160 (42.3)

Part Number	Description	Max. Quantity	Shipment (Business Days)
R900955873	4WH 6 D5X//5	5	10
R901426381	4WP 10 D5X//M/12	3	10
R901347067	4WP 10 G5X//M	3	10
R901426383	4WP 10 H5X//M/12	3	10
R978917418	4WP 6 D6X/5	5	10
R978918927	4WP 6 D6X/N/5	5	10
R978917419	4WP 6 E6X/5	5	10
R978919013	4WP 6 E6X/N/5	5	10
R978917421	4WP 6 J6X/5	5	10
R978919116	4WP 6 J6X/N/5	5	10

1) "Shipment" defined as – not to exceed the time from receipt of order to Bosch Rexroth Hydraulics to shipment ex-factory (Bosch Rexroth plant location).

GoTo Focused Delivery Program: Directional Valves

Directional spool valves, direct operated with solenoid actuation

WE



Directional valves type WE are solenoid operated directional spool valves. They control the start, stop, and direction of a flow. These directional valves basically consist of housing; one or two solenoids; control spool; and no, one, or two return springs. A full array of spools are possible with variations in voltage and electrical connection, all within the program. Flow and pressure rates from 4000 PSI to 5000 PSI and 21 GPM to 32 GPM cover a wide range of applications.

For complete engineering and design information:
GoTo www.boschrexroth-us.com/GoTodirectional

Features

- Sizes 6 to 10
- For subplate mounting:
 - Size 6: Porting pattern according to ISO 4401-3, NFPA T3.5.1M R1, and ANSI B93.7 D 03
 - Size 10: Porting pattern according to ISO 4401-5, NFPA T3.5.1M R1, and ANSI B93.7 D 05
- Wet-pin AC or DC solenoids
- Solenoids with detachable coil
- Electrical connection as individual or central connection
- Optional spool position monitoring (RE24830)
- Smooth switching characteristics ³⁾
- CSA certified part numbers available in all sizes

Detailed information:

- Size 6:
RE23178 ²⁾
- Size 10:
RA23183 ³⁾
RE23327 ⁵⁾
RE23351 ⁶⁾

Technical Data

Size	6			
Version	1)	2)	3)	4)
Operating pressure p_{max} bar (PSI)	315 (4600)	350 (5100)	350 (5100)	315 (4600)
Flow $q_{v nom}$ l/min (GPM)	60 (15.8)	80 (21)	60 (15.8)	60 (15.8)

Size	10		
Version	3)	5)	6)
Operating pressure p_{max} bar (PSI)	315 (4600)	315 (4600)	315 (4600)
Flow $q_{v nom}$ l/min (GPM)	100 (26.4)	120 (32)	120 (32)

1) Standard valve, size 6 (DC solenoid only)

2) Heavy duty valve

3) Soft switch valves

4) Reduced electrical power consumption

5) Standard valve, size 10

6) 5-chamber version (DC solenoid only)

"=AN": solenoid identity is to ANSI guidelines, wherein "A" solenoid energized produces flow from "P→A"

"SO 407": indicates the solenoid power consumption is 8 watts

"K72L": defines an M12 molded electrical connection on each solenoid vs a single connection to a conduit/central box arrangement

Part Number	Description	Max. Quantity	Shipment (Business Days)
R901278770	3WE10A5X/EG24N9K4/M	3	10
R900561180	3WE6A6X/EG24N9K4	20 / >20	10 / 20
R978017740	3WE6A6X/EG24N9K4/62	20 / >20	10 / 20
R978017865	3WE6A6X/EG24N9K4/62=CSA	20 / >20	10 / 20
R978021044	3WE6A6X/EG24N9K4/V/62=CSA	20 / >20	10 / 20
R900907012	3WE6A6X/EG24N9K4QMBG24	20 / >20	10 / 20
R900905662	3WE6A6X/EW110N9K4	20 / >20	10 / 20
R978017790	3WE6A6X/EW110N9K4/62	20 / >20	10 / 20
R978017859	3WE6A6X/EW110N9K4/62=CSA	20 / >20	10 / 20
R978917519	3WE6A9-6X/EG24N9K4/62 CSA	20 / >20	10 / 20
R978916768	3WE6B6X/EG24N9K4/V/62 CSA	20 / >20	10 / 20
R900946092	3WE6B6X/EG24N9K4QMAG24	20 / >20	10 / 20
R978906497	3WE6B9-6X/EG24N9K4/62 CSA	20 / >20	10 / 20
R978022500	3WE6B9-6X/EW110N9K4/62=CSA	20 / >20	10 / 20
R900906473	4WE10C3X/CW110N9K4	5	10
R900937354	4WE10C3X/CW110N9K4=CSA	5	10
R978910297	4WE10C4X/CG12N9DA	5	10
R978908877	4WE10C4X/CG24N9DA	5	10
R978908696	4WE10C4X/CW110N9DA	5	10
R978911140	4WE10C4X/OFEG12N9DA	5	10
R901354329	4WE10C5X/EG12N9K4/M	3	10
R901278772	4WE10C5X/EG24N9K4/M	3	10
R901278786	4WE10C5X/OFEG24N9K4/M	3	10
R900598925	4WE10D3X/CW110N9K4	5	10
R900942175	4WE10D3X/CW110N9K4=CSA	5	10
R900594948	4WE10D3X/OFW110N9K4	5	10
R900943503	4WE10D3X/OFW110N9K4=CSA	5	10
R978908826	4WE10D4X/CG12N9DA	5	10
R978908490	4WE10D4X/CG24N9DA	5	10
R978908419	4WE10D4X/CG24N9DAL	5	10
R978908566	4WE10D4X/CW110N9DA	5	10
R978908934	4WE10D4X/CW110N9DA/V	5	10
R900713654	4WE10D4X/CW110N9DAL	5	10
R900617543	4WE10D4X/CW110N9DAL=CSA	5	10
R978910127	4WE10D4X/OFW110N9DA	5	10
R978908591	4WE10D4X/OFW110N9DAL	5	10
R900245920	4WE10D4X/OFW110N9DAL=CSA	5	10
R978909383	4WE10D4X/OFW110N9DK25L	5	10
R978910742	4WE10D4X/OFW110N9DK25L CSA	5	10
R901278789	4WE10D5X/EG12N9K4/M	3	10
R901278760	4WE10D5X/EG24N9K4/M	3	10
R901278783	4WE10D5X/EG24N9K4/V	3	10
R901350504	4WE10D5X/EG24N9K72L/M=AN	3	10
R901366911	4WE10D5X/OFEG12N9K4/M	3	10
R901278763	4WE10D5X/OFEG24N9K4/M	3	10
R901401279	4WE10D5X/OFEG24N9K72L/M=AN	3	10
R900934305	4WE10E3X/CG24N9K4=CSA	5	10
R900597186	4WE10E3X/CW110N9K4	5	10
R900934306	4WE10E3X/CW110N9K4=CSA	5	10

GoTo™ Graduated Lead Times available for quantities exceeding the standard GoTo max. quantity!

1) "Shipment" defined as – not to exceed the time from receipt of order to Bosch Rexroth Hydraulics to shipment ex-factory (Bosch Rexroth plant location).

Part Number	Description	Max. Quantity	Shipment (Business Days)
R978907461	4WE10E4X/CG12N9DA	5	10
R978908742	4WE10E4X/CG24N9DA	5	10
R978909385	4WE10E4X/CG24N9DAL	5	10
R978908567	4WE10E4X/CW110N9DA	5	10
R978909419	4WE10E4X/CW110N9DA/V	5	10
R900979378	4WE10E4X/CW110N9DAL	5	10
R978909075	4WE10E4X/CW110N9DAL/V	3	10
R900700430	4WE10E4X/CW110N9DAL=CSA	5	10
R900974964	4WE10E4X/CW110N9DK25L	5	10
R901326399	4WE10E5X/EG12N9K4/M	3	10
R901278761	4WE10E5X/EG24N9K4/M	3	10
R978910021	4WE10EA4X/CW110N9DA	5	10
R978908810	4WE10EA4X/CW110N9DAL	5	10
R901278775	4WE10EA5X/EG24N9K4/M	3	10
R978910173	4WE10EB4X/CW110N9DA	5	10
R901278780	4WE10EB5X/EG24N9K4/M	3	10
R900536428	4WE10G3X/CW110N9K4	5	10
R900926346	4WE10G3X/CW110N9K4/V	5	10
R900246791	4WE10G3X/CW110N9K4=CSA	5	10
R978908592	4WE10G4X/CG12N9DA	5	10
R978909405	4WE10G4X/CG24N9DAL	5	10
R978908695	4WE10G4X/CW110N9DA	5	10
R978908815	4WE10G4X/CW110N9DAL	5	10
R900617546	4WE10G4X/CW110N9DAL=CSA	5	10
R901278796	4WE10G5X/EG12N9K4/M	3	10
R901278768	4WE10G5X/EG24N9K4/M	3	10
R978910549	4WE10GA4X/CW110N9DA	5	10
R978912744	4WE10GA4X/CW110N9DAL	5	10
R900517315	4WE10H3X/CW110N9K4	5	10
R900574718	4WE10H3X/CW110N9K4/V	5	10
R900710276	4WE10H3X/CW110N9K4=CSA	5	10
R978908593	4WE10H4X/CW110N9DA	5	10
R978909071	4WE10H4X/CW110N9DAL	5	10
R901278762	4WE10H5X/EG24N9K4/M	3	10
R978007214	4WE10HA4X/CG12N9DAL	5	10
R901278779	4WE10HA5X/EG24N9K4/M	3	10
R900592338	4WE10J3X/CW110N9K4	5	10
R900527508	4WE10J3X/CW110N9K4/V	3	10
R900940565	4WE10J3X/CW110N9K4=CSA	5	10
R978910621	4WE10J4X/CG12N9DA	5	10
R978909072	4WE10J4X/CG24N9DA	5	10
R900732331	4WE10J4X/CG24N9DAL	5	10
R900977484	4WE10J4X/CG24N9DK25L	5	10
R978908568	4WE10J4X/CW110N9DA	5	10
R978908908	4WE10J4X/CW110N9DA/V	5	10
R900708880	4WE10J4X/CW110N9DAL	5	10
R900619253	4WE10J4X/CW110N9DAL/V	3	10
R900619145	4WE10J4X/CW110N9DAL=CSA	5	10
R900963610	4WE10J4X/CW110N9DK25L	5	10

GoTo™ Graduated Lead Times available for quantities exceeding the standard GoTo max. quantity!

1) "Shipment" defined as – not to exceed the time from receipt of order to Bosch Rexroth Hydraulics to shipment ex-factory (Bosch Rexroth plant location).

Part Number	Description	Max. Quantity	Shipment (Business Days)
R978013851	4WE10J4X/CW110N9DK25L=CSA	5	10
R901278794	4WE10J5X/EG12N9K4/M	3	10
R901278744	4WE10J5X/EG24N9K4/M	3	10
R901325488	4WE10J5X/EG24N9K4/MH	3	10
R901278790	4WE10J5X/EG24N9K4/V	3	10
R901349723	4WE10J5X/EG24N9K72L/M=AN	3	10
R978913850	4WE10JA4X/CW110N9DAL	5	10
R978914148	4WE10JB4X/CW110N9DA	5	10
R978909781	4WE10JB4X/CW110N9DAL	5	10
R901349474	4WE10JB5X/EG24N9K4/M	3	10
R901278776	4WE10L5X/EG24N9K4/M	3	10
R978908808	4WE10M4X/CW110N9DA	5	10
R900961858	4WE10M4X/CW110N9DAL	5	10
R900934433	4WE10R3X/CW110N9K4/V	5	10
R901278784	4WE10R5X/EG24N9K4/M	3	10
R901349519	4WE10RB5X/EG24N9K4/M	3	10
R978908880	4WE10Y4X/CW110N9DA	5	10
R978909074	4WE10Y4X/CW110N9DAL	5	10
R900714541	4WE10Y4X/CW110N9DAL=CSA	5	10
R901278769	4WE10Y5X/EG24N9K4/M	3	10
R978878225	4WE6C6X/EG12N9DA/62	20 / >20	10 / 20
R900903685	4WE6C6X/EG12N9K4	20 / >20	10 / 20
R978913831	4WE6C6X/EG12N9K4/62 CSA	20 / >20	10 / 20
R978878229	4WE6C6X/EG24N9DA/62	20 / >20	10 / 20
R978017853	4WE6C6X/EG24N9DAL/62	20 / >20	10 / 20
R900561272	4WE6C6X/EG24N9K4	20 / >20	10 / 20
R978017744	4WE6C6X/EG24N9K4/62	20 / >20	10 / 20
R978017849	4WE6C6X/EG24N9K4/62=CSA	20 / >20	10 / 20
R900567535	4WE6C6X/EG24N9K4/A12	20 / >20	10 / 20
R900905548	4WE6C6X/EG24N9K4/V	20 / >20	10 / 20
R978017829	4WE6C6X/EG96N9K4/62	20 / >20	10 / 20
R978874587	4WE6C6X/EW110N9DA/62	20 / >20	10 / 20
R978890314	4WE6C6X/EW110N9DA/V/62	20 / >20	10 / 20
R978874588	4WE6C6X/EW110N9DAL/62	20 / >20	10 / 20
R900900065	4WE6C6X/EW110N9DAL/V	20 / >20	10 / 20
R900901748	4WE6C6X/EW110N9K4	20 / >20	10 / 20
R978017780	4WE6C6X/EW110N9K4/62	20 / >20	10 / 20
R978017774	4WE6C6X/EW110N9K4/62=CSA	20 / >20	10 / 20
R900919729	4WE6C6X/EW110N9K4/V	20 / >20	10 / 20
R978890367	4WE6C6X/OFEG12N9DA/62	20 / >20	10 / 20
R978915962	4WE6C6X/OFEG12N9K4/62	20 / >20	10 / 20
R978017773	4WE6C6X/OFEG24N9DAL/62	20 / >20	10 / 20
R900564107	4WE6C6X/OFEG24N9K4	20 / >20	10 / 20
R978017758	4WE6C6X/OFEG24N9K4/62	20 / >20	10 / 20
R978875037	4WE6C6X/OFEW110N9DA/62	20 / >20	10 / 20
R978875038	4WE6C6X/OFEW110N9DAL/62	20 / >20	10 / 20
R900909140	4WE6C6X/OFEW110N9K4	20 / >20	10 / 20
R978017798	4WE6C6X/OFEW110N9K4/62	20 / >20	10 / 20
R978898363	4WE6C6X/OFEW110N9K4/62 CSA	20 / >20	10 / 20

GoTo™ Graduated Lead Times available for quantities exceeding the standard GoTo max. quantity!

1) "Shipment" defined as – not to exceed the time from receipt of order to Bosch Rexroth Hydraulics to shipment ex-factory (Bosch Rexroth plant location).

Part Number	Description	Max. Quantity	Shipment (Business Days)
R901275214	4WE6D466X/OFEG24N9K72L-SO407=AN	20 / >20	10 / 20
R900918382	4WE6D6-6X/EG24N9K4	20 / >20	10 / 20
R978878237	4WE6D6X/EG12N9DA/62	20 / >20	10 / 20
R978895300	4WE6D6X/EG12N9DA/V/62	20 / >20	10 / 20
R900913281	4WE6D6X/EG12N9K4	20 / >20	10 / 20
R978017812	4WE6D6X/EG12N9K4/62	20 / >20	10 / 20
R978905132	4WE6D6X/EG12N9K4/62 CSA	20 / >20	10 / 20
R900783170	4WE6D6X/EG12N9K4/V	20 / >20	10 / 20
R978917435	4WE6D6X/EG12N9K4/V/62 CSA	20 / >20	10 / 20
R978878241	4WE6D6X/EG24N9DA/62	20 / >20	10 / 20
R900550589	4WE6D6X/EG24N9DAL	20 / >20	10 / 20
R978017732	4WE6D6X/EG24N9DAL/62	20 / >20	10 / 20
R978017862	4WE6D6X/EG24N9DAL/62=CSA	20 / >20	10 / 20
R978896201	4WE6D6X/EG24N9DK24L2/62	20 / >20	10 / 20
R978905660	4WE6D6X/EG24N9DK24L2/B10	20 / >20	10 / 20
R900561274	4WE6D6X/EG24N9K4	20 / >20	10 / 20
R978017922	4WE6D6X/EG24N9K4/62	20 / >20	10 / 20
R901105197	4WE6D6X/EG24N9K4/62=CSA	20 / >20	10 / 20
R900929558	4WE6D6X/EG24N9K4/A12	20 / >20	10 / 20
R900915069	4WE6D6X/EG24N9K4/B10	20 / >20	10 / 20
R901262824	4WE6D6X/EG24N9K4/B10/62	20 / >20	10 / 20
R900564105	4WE6D6X/EG24N9K4/V	20 / >20	10 / 20
R978908705	4WE6D6X/EG24N9K4/V/62 CSA	20 / >20	10 / 20
R900931341	4WE6D6X/EG24N9K4=CSA	20 / >20	10 / 20
R900910413	4WE6D6X/EG24N9K4QMBG24	20 / >20	10 / 20
R901235361	4WE6D6X/EG24N9K72L=AN	20 / >20	10 / 20
R901275215	4WE6D6X/EG24N9K72LSO407=AN	20 / >20	10 / 20
R900904957	4WE6D6X/EG96N9K4	20 / >20	10 / 20
R978017787	4WE6D6X/EG96N9K4/62	20 / >20	10 / 20
R978025630	4WE6D6X/EG96N9K4/V/62=CSA	20 / >20	10 / 20
R978020087	4WE6D6X/EW110N9DA	20 / >20	10 / 20
R978874053	4WE6D6X/EW110N9DA/62	20 / >20	10 / 20
R978032133	4WE6D6X/EW110N9DA/V	20 / >20	10 / 20
R978875901	4WE6D6X/EW110N9DA/V/62	20 / >20	10 / 20
R900559677	4WE6D6X/EW110N9DAL	20 / >20	10 / 20
R978017739	4WE6D6X/EW110N9DAL/62	20 / >20	10 / 20
R978017775	4WE6D6X/EW110N9DAL/62=CSA	20 / >20	10 / 20
R900710108	4WE6D6X/EW110N9DAL/B10	20 / >20	10 / 20
R978030511	4WE6D6X/EW110N9DAL/B10/62	20 / >20	10 / 20
R900578560	4WE6D6X/EW110N9DAL/V	20 / >20	10 / 20
R978021153	4WE6D6X/EW110N9DAL/V/62	20 / >20	10 / 20
R900551704	4WE6D6X/EW110N9K4	20 / >20	10 / 20
R978017734	4WE6D6X/EW110N9K4/62	20 / >20	10 / 20
R978017841	4WE6D6X/EW110N9K4/62=CSA	20 / >20	10 / 20
R900906820	4WE6D6X/EW110N9K4/B10	20 / >20	10 / 20
R900964575	4WE6D6X/EW110N9K4/B10V	20 / >20	10 / 20
R900925868	4WE6D6X/EW110N9K4/B12	20 / >20	10 / 20
R900911653	4WE6D6X/EW110N9K4/V	20 / >20	10 / 20
R978023806	4WE6D6X/EW110N9K4/V/62	20 / >20	10 / 20

GoTo™ Graduated Lead Times available for quantities exceeding the standard GoTo max. quantity!

1) "Shipment" defined as – not to exceed the time from receipt of order to Bosch Rexroth Hydraulics to shipment ex-factory (Bosch Rexroth plant location).

Part Number	Description	Max. Quantity	Shipment (Business Days)
R978019688	4WE6D6X/EW110N9K4/V/62=CSA	20 / >20	10 / 20
R900962492	4WE6D6X/EW110N9K4/V=CSA	20 / >20	10 / 20
R978017766	4WE6D6X/OEG24N9K4/62	20 / >20	10 / 20
R900955732	4WE6D6X/OEG24N9K4/B10	20 / >20	10 / 20
R978874049	4WE6D6X/OEW110N9DA/62	20 / >20	10 / 20
R978017838	4WE6D6X/OEW110N9K4/62	20 / >20	10 / 20
R978890292	4WE6D6X/OFEG12N9DA/62	20 / >20	10 / 20
R900924018	4WE6D6X/OFEG12N9K4	20 / >20	10 / 20
R978017819	4WE6D6X/OFEG12N9K4/62	20 / >20	10 / 20
R978908958	4WE6D6X/OFEG12N9K4/62 CSA	20 / >20	10 / 20
R978032032	4WE6D6X/OFEG12N9K4/B10	20 / >20	10 / 20
R978911678	4WE6D6X/OFEG12N9K4/B10/62	20 / >20	10 / 20
R978916765	4WE6D6X/OFEG12N9K4/V/62	20 / >20	10 / 20
R978892546	4WE6D6X/OFEG24N9DA/62	20 / >20	10 / 20
R978892867	4WE6D6X/OFEG24N9DA/V/62	20 / >20	10 / 20
R978017871	4WE6D6X/OFEG24N9DAL/62	20 / >20	10 / 20
R978896205	4WE6D6X/OFEG24N9DK24L2/62	20 / >20	10 / 20
R900567512	4WE6D6X/OFEG24N9K4	20 / >20	10 / 20
R978017763	4WE6D6X/OFEG24N9K4/62	20 / >20	10 / 20
R978017826	4WE6D6X/OFEG24N9K4/62=CSA	20 / >20	10 / 20
R901147438	4WE6D6X/OFEG24N9K4/B08V	20 / >20	10 / 20
R900568899	4WE6D6X/OFEG24N9K4/B10	20 / >20	10 / 20
R900903465	4WE6D6X/OFEG24N9K4/V	20 / >20	10 / 20
R901235363	4WE6D6X/OFEG24N9K72L=AN	20 / >20	10 / 20
R900904958	4WE6D6X/OFEG96N9K4	20 / >20	10 / 20
R978873230	4WE6D6X/OFEW110N9DA/62	20 / >20	10 / 20
R978875810	4WE6D6X/OFEW110N9DA/V/62	20 / >20	10 / 20
R900912994	4WE6D6X/OFEW110N9DAL	20 / >20	10 / 20
R978017810	4WE6D6X/OFEW110N9DAL/62	20 / >20	10 / 20
R901183229	4WE6D6X/OFEW110N9DAL/B10V	20 / >20	10 / 20
R900959714	4WE6D6X/OFEW110N9DAL/V	20 / >20	10 / 20
R900552321	4WE6D6X/OFEW110N9K4	20 / >20	10 / 20
R978017735	4WE6D6X/OFEW110N9K4/62	20 / >20	10 / 20
R978017845	4WE6D6X/OFEW110N9K4/62=CSA	20 / >20	10 / 20
R900925207	4WE6D6X/OFEW110N9K4/B08	20 / >20	10 / 20
R900949737	4WE6D6X/OFEW110N9K4/B10	20 / >20	10 / 20
R900921614	4WE6D6X/OFEW110N9K4/V	20 / >20	10 / 20
R978907764	4WE6D6X/OFEW110N9K4/V/62 CSA	20 / >20	10 / 20
R900758399	4WE6E6X/EG110N9K4/V	20 / >20	10 / 20
R978878249	4WE6E6X/EG12N9DA/62	20 / >20	10 / 20
R978878250	4WE6E6X/EG12N9DAL/62	20 / >20	10 / 20
R900903906	4WE6E6X/EG12N9K4	20 / >20	10 / 20
R978017783	4WE6E6X/EG12N9K4/62	20 / >20	10 / 20
R978905130	4WE6E6X/EG12N9K4/62 CSA	20 / >20	10 / 20
R978001259	4WE6E6X/EG12N9K4/A12/62	20 / >20	10 / 20
R900774335	4WE6E6X/EG12N9K4/V	20 / >20	10 / 20
R978911234	4WE6E6X/EG12N9K4/V/62 CSA	20 / >20	10 / 20
R900921107	4WE6E6X/EG12NK4	20 / >20	10 / 20
R901204482	4WE6E6X/EG12NK4/62	20 / >20	10 / 20

GoTo™ Graduated Lead Times available for quantities exceeding the standard GoTo max. quantity!

1) "Shipment" defined as – not to exceed the time from receipt of order to Bosch Rexroth Hydraulics to shipment ex-factory (Bosch Rexroth plant location).

Part Number	Description	Max. Quantity	Shipment (Business Days)
R978878253	4WE6E6X/EG24N9DA/62	20 / >20	10 / 20
R978890211	4WE6E6X/EG24N9DA/V/62	20 / >20	10 / 20
R900979840	4WE6E6X/EG24N9DAL	20 / >20	10 / 20
R978017870	4WE6E6X/EG24N9DAL/62	20 / >20	10 / 20
R978018869	4WE6E6X/EG24N9DAL/62=CSA	20 / >20	10 / 20
R900933968	4WE6E6X/EG24N9DAL/V	20 / >20	10 / 20
R900561278	4WE6E6X/EG24N9K4	20 / >20	10 / 20
R978017750	4WE6E6X/EG24N9K4/62	20 / >20	10 / 20
R901105198	4WE6E6X/EG24N9K4/62=CSA	20 / >20	10 / 20
R900957917	4WE6E6X/EG24N9K4/B10V	20 / >20	10 / 20
R900931613	4WE6E6X/EG24N9K4/B12	20 / >20	10 / 20
R900903464	4WE6E6X/EG24N9K4/V	20 / >20	10 / 20
R978021268	4WE6E6X/EG24N9K4/V/62	20 / >20	10 / 20
R978916601	4WE6E6X/EG24N9K4/V/62 CSA	20 / >20	10 / 20
R900904959	4WE6E6X/EG96N9K4	20 / >20	10 / 20
R978017789	4WE6E6X/EG96N9K4/62	20 / >20	10 / 20
R978875049	4WE6E6X/EW110N9DA/62	20 / >20	10 / 20
R978877942	4WE6E6X/EW110N9DA/V/62	20 / >20	10 / 20
R901001943	4WE6E6X/EW110N9DAL	20 / >20	10 / 20
R978873115	4WE6E6X/EW110N9DAL/62	20 / >20	10 / 20
R978017851	4WE6E6X/EW110N9DAL/62=CSA	20 / >20	10 / 20
R901067547	4WE6E6X/EW110N9DAL/V	20 / >20	10 / 20
R978875745	4WE6E6X/EW110N9DAL/V/62	20 / >20	10 / 20
R900558641	4WE6E6X/EW110N9K4	20 / >20	10 / 20
R978017737	4WE6E6X/EW110N9K4/62	20 / >20	10 / 20
R978017842	4WE6E6X/EW110N9K4/62=CSA	20 / >20	10 / 20
R978912723	4WE6E6X/EW110N9K4/B12/62	20 / >20	10 / 20
R900931049	4WE6E6X/EW110N9K4/V	20 / >20	10 / 20
R978025719	4WE6E6X/EW110N9K4/V/62	20 / >20	10 / 20
R978019230	4WE6E6X/EW110N9K4/V/62=CSA	20 / >20	10 / 20
R900940567	4WE6E6X/EW110N9K4=CSA	20 / >20	10 / 20
R978010949	4WE6E6X/EW110NK4/V/62 CSA	20 / >20	10 / 20
R978026086	4WE6E73-6X/EG12NK4/A12	20 / >20	10 / 20
R978017760	4WE6E73-6X/EG24N9K4/A12/62	20 / >20	10 / 20
R900928531	4WE6EA6X/EG12N9K4	20 / >20	10 / 20
R978024420	4WE6EA6X/EG12N9K4/62	20 / >20	10 / 20
R900964681	4WE6EA6X/EG24N9DAL	20 / >20	10 / 20
R900561280	4WE6EA6X/EG24N9K4	20 / >20	10 / 20
R978017752	4WE6EA6X/EG24N9K4/62	20 / >20	10 / 20
R978034580	4WE6EA6X/EG96N9K4/62=CSA	20 / >20	10 / 20
R978891959	4WE6EA6X/EW110N9DA/V/62	20 / >20	10 / 20
R978875042	4WE6EA6X/EW110N9DAL/62	20 / >20	10 / 20
R978879878	4WE6EA6X/EW110N9DAL/V/62	20 / >20	10 / 20
R900906670	4WE6EA6X/EW110N9K4	20 / >20	10 / 20
R978017796	4WE6EA6X/EW110N9K4/62	20 / >20	10 / 20
R978019231	4WE6EA6X/EW110N9K4/62=CSA	20 / >20	10 / 20
R978032138	4WE6EA6X/OFEW110N9DA	20 / >20	10 / 20
R900921992	4WE6EB6X/EG12N9K4	20 / >20	10 / 20
R978914474	4WE6EB6X/EG12N9K4/62 CSA	20 / >20	10 / 20

GoTo™ Graduated Lead Times available for quantities exceeding the standard GoTo max. quantity!

1) "Shipment" defined as – not to exceed the time from receipt of order to Bosch Rexroth Hydraulics to shipment ex-factory (Bosch Rexroth plant location).

Part Number	Description	Max. Quantity	Shipment (Business Days)
R900561281	4WE6EB6X/EG24N9K4	20 / >20	10 / 20
R978024421	4WE6EB6X/EG24N9K4/62	20 / >20	10 / 20
R978875045	4WE6EB6X/EW110N9DA/62	20 / >20	10 / 20
R900906671	4WE6EB6X/EW110N9K4	20 / >20	10 / 20
R978024422	4WE6EB6X/EW110N9K4/62	20 / >20	10 / 20
R978912396	4WE6EB6X/EW110N9K4/V/62	20 / >20	10 / 20
R901242185	4WE6EB6X/OFEW110N9K4	20 / >20	10 / 20
R900933648	4WE6F6X/EG24N9K4	20 / >20	10 / 20
R978030173	4WE6F6X/EG24N9K4/62	20 / >20	10 / 20
R901318705	4WE6F6X/EG24N9K4/V/62=CSA	20 / >20	10 / 20
R978891103	4WE6F6X/EW110N9DA/62	20 / >20	10 / 20
R900908714	4WE6F6X/EW110N9K4	20 / >20	10 / 20
R901327984	4WE6F6X/EW110N9K4/62=CSA	20 / >20	10 / 20
R978878257	4WE6G6X/EG12N9DA/62	20 / >20	10 / 20
R978017779	4WE6G6X/EG12N9DAL/62	20 / >20	10 / 20
R900567497	4WE6G6X/EG12N9K4	20 / >20	10 / 20
R978017762	4WE6G6X/EG12N9K4/62	20 / >20	10 / 20
R978908129	4WE6G6X/EG12N9K4/62 CSA	20 / >20	10 / 20
R978916692	4WE6G6X/EG12N9K4/A12/62	20 / >20	10 / 20
R901204481	4WE6G6X/EG12NK4/62	20 / >20	10 / 20
R978878261	4WE6G6X/EG24N9DA/62	20 / >20	10 / 20
R900561282	4WE6G6X/EG24N9K4	20 / >20	10 / 20
R901224429	4WE6G6X/EG24N9K4/62	20 / >20	10 / 20
R978906689	4WE6G6X/EG24N9K4/62 CSA	20 / >20	10 / 20
R901105199	4WE6G6X/EG24N9K4/62=CSA	20 / >20	10 / 20
R900552009	4WE6G6X/EG24N9K4/V	20 / >20	10 / 20
R978872815	4WE6G6X/EW110N9DA/62	20 / >20	10 / 20
R978877999	4WE6G6X/EW110N9DA/V/62	20 / >20	10 / 20
R978875060	4WE6G6X/EW110N9DAL/62	20 / >20	10 / 20
R978894256	4WE6G6X/EW110N9DAL/V/62	20 / >20	10 / 20
R900558642	4WE6G6X/EW110N9K4	20 / >20	10 / 20
R978017738	4WE6G6X/EW110N9K4/62	20 / >20	10 / 20
R978017852	4WE6G6X/EW110N9K4/62=CSA	20 / >20	10 / 20
R978912932	4WE6G6X/EW110N9K4/V/62	20 / >20	10 / 20
R978908959	4WE6GA6X/EG125N9K4/62 CSA	20 / >20	10 / 20
R978894725	4WE6GA6X/EG12N9DA/62	20 / >20	10 / 20
R978900420	4WE6GA6X/EG12N9DA/V/62	20 / >20	10 / 20
R900923844	4WE6GA6X/EG12N9K4	20 / >20	10 / 20
R978909420	4WE6GA6X/EG24N9DA/62	20 / >20	10 / 20
R978903747	4WE6GA6X/EG24N9DAL/62	20 / >20	10 / 20
R900561284	4WE6GA6X/EG24N9K4	20 / >20	10 / 20
R978024424	4WE6GA6X/EG24N9K4/62	20 / >20	10 / 20
R900939610	4WE6GA6X/EG24N9K4/V	20 / >20	10 / 20
R901298103	4WE6GA6X/EG24N9K4/V/62	20 / >20	10 / 20
R978009134	4WE6GA6X/EG24N9K4/V/62 CSA	20 / >20	10 / 20
R978875052	4WE6GA6X/EW110N9DA/62	20 / >20	10 / 20
R978875053	4WE6GA6X/EW110N9DAL/62	20 / >20	10 / 20
R900909139	4WE6GA6X/EW110N9K4	20 / >20	10 / 20
R978018469	4WE6GA6X/EW110N9K4/62	20 / >20	10 / 20

GoTo™ Graduated Lead Times available for quantities exceeding the standard GoTo max. quantity!

1) "Shipment" defined as – not to exceed the time from receipt of order to Bosch Rexroth Hydraulics to shipment ex-factory (Bosch Rexroth plant location).

Part Number	Description	Max. Quantity	Shipment (Business Days)
R978908357	4WE6GA6X/EW110N9K4/62 CSA	20 / >20	10 / 20
R978914690	4WE6GB6X/EG24N9K4/62 CSA	20 / >20	10 / 20
R900929635	4WE6GB6X/EG24N9K4/V	20 / >20	10 / 20
R900906930	4WE6GB6X/EW110N9K4	20 / >20	10 / 20
R978911236	4WE6GB6X/EW110N9K4/62 CSA	20 / >20	10 / 20
R978878265	4WE6H6X/EG12N9DA/62	20 / >20	10 / 20
R978890853	4WE6H6X/EG12N9DA/V/62	20 / >20	10 / 20
R978878266	4WE6H6X/EG12N9DAL/62	20 / >20	10 / 20
R900903900	4WE6H6X/EG12N9K4	20 / >20	10 / 20
R978017782	4WE6H6X/EG12N9K4/62	20 / >20	10 / 20
R978907962	4WE6H6X/EG12N9K4/62 CSA	20 / >20	10 / 20
R978899193	4WE6H6X/EG24N9DA/V/62	20 / >20	10 / 20
R900910276	4WE6H6X/EG24N9DAL	20 / >20	10 / 20
R900561286	4WE6H6X/EG24N9K4	20 / >20	10 / 20
R978017754	4WE6H6X/EG24N9K4/62	20 / >20	10 / 20
R978017828	4WE6H6X/EG24N9K4/62=CSA	20 / >20	10 / 20
R900929366	4WE6H6X/EG24N9K4/V	20 / >20	10 / 20
R978875071	4WE6H6X/EW110N9DA/62	20 / >20	10 / 20
R978890842	4WE6H6X/EW110N9DA/V/62	20 / >20	10 / 20
R978875072	4WE6H6X/EW110N9DAL/62	20 / >20	10 / 20
R900906672	4WE6H6X/EW110N9K4	20 / >20	10 / 20
R978017797	4WE6H6X/EW110N9K4/62	20 / >20	10 / 20
R978905734	4WE6H6X/EW110N9K4/62 CSA	20 / >20	10 / 20
R900704185	4WE6H6X/EW110N9K4/V	20 / >20	10 / 20
R900903992	4WE6HA6X/EG12N9K4	20 / >20	10 / 20
R978912645	4WE6HA6X/EG12N9K4/62 CSA	20 / >20	10 / 20
R900549534	4WE6HA6X/EG24N9K4	20 / >20	10 / 20
R978022019	4WE6HA6X/EG24N9K4/62	20 / >20	10 / 20
R978024230	4WE6HA6X/EG24N9K4/62=CSA	20 / >20	10 / 20
R978918850	4WE6HA6X/EG24N9K4/B10/62	20 / >20	10 / 20
R900554556	4WE6HA6X/EG24N9K4/V	20 / >20	10 / 20
R978875063	4WE6HA6X/EW110N9DA/62	20 / >20	10 / 20
R978893575	4WE6HA6X/EW110N9DAL/V/62	20 / >20	10 / 20
R900906460	4WE6HA6X/EW110N9K4	20 / >20	10 / 20
R978031520	4WE6HA6X/EW110N9K4/B10	20 / >20	10 / 20
R900916446	4WE6HA6X/EW110N9K4=CSA	20 / >20	10 / 20
R900947683	4WE6HB6X/EG24K4	20 / >20	10 / 20
R978893179	4WE6HB6X/EG24N9DA/62	20 / >20	10 / 20
R900553670	4WE6HB6X/EG24N9K4	20 / >20	10 / 20
R978911060	4WE6HB6X/EG24N9K4/A12/62	20 / >20	10 / 20
R900729410	4WE6HB6X/EG24N9K4/V	20 / >20	10 / 20
R900909144	4WE6HB6X/EW110N9K4	20 / >20	10 / 20
R978020086	4WE6J6X/EG12N9DA	20 / >20	10 / 20
R978878274	4WE6J6X/EG12N9DA/62	20 / >20	10 / 20
R978878275	4WE6J6X/EG12N9DAL/62	20 / >20	10 / 20
R900567496	4WE6J6X/EG12N9K4	20 / >20	10 / 20
R978017761	4WE6J6X/EG12N9K4/62	20 / >20	10 / 20
R978905419	4WE6J6X/EG12N9K4/62 CSA	20 / >20	10 / 20
R900935677	4WE6J6X/EG12N9K4/B10	20 / >20	10 / 20

GoTo™ Graduated Lead Times available for quantities exceeding the standard GoTo max. quantity!

1) "Shipment" defined as – not to exceed the time from receipt of order to Bosch Rexroth Hydraulics to shipment ex-factory (Bosch Rexroth plant location).

Part Number	Description	Max. Quantity	Shipment (Business Days)
R978031709	4WE6J6X/EG12N9K4/B12/62/V	20 / >20	10 / 20
R901246196	4WE6J6X/EG12N9K4K/62	20 / >20	10 / 20
R901204483	4WE6J6X/EG12NK4/62	20 / >20	10 / 20
R978020085	4WE6J6X/EG24N9DA	20 / >20	10 / 20
R978878278	4WE6J6X/EG24N9DA/62	20 / >20	10 / 20
R900920381	4WE6J6X/EG24N9DAL	20 / >20	10 / 20
R978017815	4WE6J6X/EG24N9DAL/62	20 / >20	10 / 20
R978017863	4WE6J6X/EG24N9DAL/62=CSA	20 / >20	10 / 20
R900979944	4WE6J6X/EG24N9DAL/B10	20 / >20	10 / 20
R978896729	4WE6J6X/EG24N9DAL/N12/62	20 / >20	10 / 20
R978896206	4WE6J6X/EG24N9DK24L2/62	20 / >20	10 / 20
R978017767	4WE6J6X/EG24N9DK25L/62	20 / >20	10 / 20
R900561288	4WE6J6X/EG24N9K4	20 / >20	10 / 20
R978017756	4WE6J6X/EG24N9K4/62	20 / >20	10 / 20
R901105200	4WE6J6X/EG24N9K4/62=CSA	20 / >20	10 / 20
R900567271	4WE6J6X/EG24N9K4/A12	20 / >20	10 / 20
R900548271	4WE6J6X/EG24N9K4/B10	20 / >20	10 / 20
R900957815	4WE6J6X/EG24N9K4/B10=CSA	20 / >20	10 / 20
R900548772	4WE6J6X/EG24N9K4/V	20 / >20	10 / 20
R978024425	4WE6J6X/EG24N9K4/V/62	20 / >20	10 / 20
R901235359	4WE6J6X/EG24N9K72L=AN	20 / >20	10 / 20
R901261658	4WE6J6X/EG24N9K72L-SO407=AN	20 / >20	10 / 20
R901028055	4WE6J6X/EG96N4K4=CSA	20 / >20	10 / 20
R900909593	4WE6J6X/EG96N9K4	20 / >20	10 / 20
R978017802	4WE6J6X/EG96N9K4/62	20 / >20	10 / 20
R900949273	4WE6J6X/EG96N9K4/V	20 / >20	10 / 20
R978019413	4WE6J6X/EW110N9DA	20 / >20	10 / 20
R978874065	4WE6J6X/EW110N9DA/62	20 / >20	10 / 20
R978027142	4WE6J6X/EW110N9DA/B10	20 / >20	10 / 20
R978027086	4WE6J6X/EW110N9DA/B10V	20 / >20	10 / 20
R978018772	4WE6J6X/EW110N9DA/V	20 / >20	10 / 20
R978875805	4WE6J6X/EW110N9DA/V/62	20 / >20	10 / 20
R900553481	4WE6J6X/EW110N9DAL	20 / >20	10 / 20
R978017736	4WE6J6X/EW110N9DAL/62	20 / >20	10 / 20
R978017820	4WE6J6X/EW110N9DAL/62=CSA	20 / >20	10 / 20
R900902946	4WE6J6X/EW110N9DAL/B10	20 / >20	10 / 20
R900774070	4WE6J6X/EW110N9DAL/B10V	20 / >20	10 / 20
R978878845	4WE6J6X/EW110N9DAL/N12V/62	20 / >20	10 / 20
R900578218	4WE6J6X/EW110N9DAL/V	20 / >20	10 / 20
R978021922	4WE6J6X/EW110N9DAL/V/62	20 / >20	10 / 20
R978017785	4WE6J6X/EW110N9DK25L/62	20 / >20	10 / 20
R900551703	4WE6J6X/EW110N9K4	20 / >20	10 / 20
R978017733	4WE6J6X/EW110N9K4/62	20 / >20	10 / 20
R978017813	4WE6J6X/EW110N9K4/62=CSA	20 / >20	10 / 20
R900908786	4WE6J6X/EW110N9K4/B08	20 / >20	10 / 20
R900912188	4WE6J6X/EW110N9K4/B10	20 / >20	10 / 20
R978021624	4WE6J6X/EW110N9K4/B10/62	20 / >20	10 / 20
R900956829	4WE6J6X/EW110N9K4/B10=CSA	20 / >20	10 / 20
R978022923	4WE6J6X/EW110N9K4/B10N10	20 / >20	10 / 20

GoTo™ Graduated Lead Times available for quantities exceeding the standard GoTo max. quantity!

1) "Shipment" defined as – not to exceed the time from receipt of order to Bosch Rexroth Hydraulics to shipment ex-factory (Bosch Rexroth plant location).

Part Number	Description	Max. Quantity	Shipment (Business Days)
R978908790	4WE6J6X/EW110N9K4/B10N10/62	20 / >20	10 / 20
R900946083	4WE6J6X/EW110N9K4/B10V	20 / >20	10 / 20
R978910843	4WE6J6X/EW110N9K4/N12/62	20 / >20	10 / 20
R900910785	4WE6J6X/EW110N9K4/V	20 / >20	10 / 20
R978024426	4WE6J6X/EW110N9K4/V/62	20 / >20	10 / 20
R900962493	4WE6J6X/EW110N9K4/V=CSA	20 / >20	10 / 20
R900916703	4WE6J6X/EW110N9K4=CSA	20 / >20	10 / 20
R900923495	4WE6JA6X/EG12N9K4	20 / >20	10 / 20
R978910767	4WE6JA6X/EG12N9K4/A12/62	20 / >20	10 / 20
R900561290	4WE6JA6X/EG24N9K4	20 / >20	10 / 20
R978017757	4WE6JA6X/EG24N9K4/62	20 / >20	10 / 20
R900554557	4WE6JA6X/EG24N9K4/V	20 / >20	10 / 20
R900957299	4WE6JA6X/EG24N9K4=CSA	20 / >20	10 / 20
R978874057	4WE6JA6X/EW110N9DA/62	20 / >20	10 / 20
R978874058	4WE6JA6X/EW110N9DAL/62	20 / >20	10 / 20
R900964300	4WE6JA6X/EW110N9DAL/V	20 / >20	10 / 20
R900905452	4WE6JA6X/EW110N9K4	20 / >20	10 / 20
R978024428	4WE6JA6X/EW110N9K4/62	20 / >20	10 / 20
R901111218	4WE6JA6X/EW110N9K4/B10V	20 / >20	10 / 20
R900918061	4WE6JA6X/EW110N9K4/V	20 / >20	10 / 20
R978892258	4WE6JB6X/EG24N9DA/62	20 / >20	10 / 20
R900561291	4WE6JB6X/EG24N9K4	20 / >20	10 / 20
R978024429	4WE6JB6X/EG24N9K4/62	20 / >20	10 / 20
R900932917	4WE6JB6X/EG24N9K4/V	20 / >20	10 / 20
R978874061	4WE6JB6X/EW110N9DA/62	20 / >20	10 / 20
R978018512	4WE6JB6X/EW110N9DAL	20 / >20	10 / 20
R900906202	4WE6JB6X/EW110N9K4	20 / >20	10 / 20
R978024431	4WE6JB6X/EW110N9K4/62	20 / >20	10 / 20
R978898130	4WE6L6X/EG24N9DAL/62	20 / >20	10 / 20
R900901751	4WE6L6X/EG24N9K4	20 / >20	10 / 20
R978024432	4WE6L6X/EG24N9K4/62	20 / >20	10 / 20
R978891157	4WE6L6X/EW110N9DAL/62	20 / >20	10 / 20
R900906462	4WE6L6X/EW110N9K4	20 / >20	10 / 20
R978933518	4WE6LA6X/EG12N9K4/A12/62	20 / >20	10 / 20
R900919093	4WE6LA6X/EW110N9K4	20 / >20	10 / 20
R900763384	4WE6LB6X/EG24N9K4=AN	20 / >20	10 / 20
R900765945	4WE6M6X/EG24N9DAL	20 / >20	10 / 20
R900577475	4WE6M6X/EG24N9K4	20 / >20	10 / 20
R978017771	4WE6M6X/EG24N9K4/62	20 / >20	10 / 20
R978909824	4WE6M6X/EG24N9K4/62 CSA	20 / >20	10 / 20
R978878850	4WE6M6X/EW110N9DA/62	20 / >20	10 / 20
R978879585	4WE6M6X/EW110N9DAL/62	20 / >20	10 / 20
R900904559	4WE6M6X/EW110N9K4	20 / >20	10 / 20
R978017843	4WE6M6X/EW110N9K4/62=CSA	20 / >20	10 / 20
R900923360	4WE6M6X/EW110N9K4/V	20 / >20	10 / 20
R901328365	4WE6M6X/EW110N9K4/V/62=CSA	20 / >20	10 / 20
R900940568	4WE6M6X/EW110N9K4=CSA	20 / >20	10 / 20
R900546939	4WE6MA6X/EG24N9K4	20 / >20	10 / 20
R978025541	4WE6MA6X/EG24N9K4/62	20 / >20	10 / 20

GoTo™ Graduated Lead Times available for quantities exceeding the standard GoTo max. quantity!

1) "Shipment" defined as – not to exceed the time from receipt of order to Bosch Rexroth Hydraulics to shipment ex-factory (Bosch Rexroth plant location).

Part Number	Description	Max. Quantity	Shipment (Business Days)
R978909633	4WE6MA6X/EW110N9DAL/V/62	20 / >20	10 / 20
R900959972	4WE6MA6X/EW110N9K4	20 / >20	10 / 20
R900577367	4WE6MB6X/EG24N9K4	20 / >20	10 / 20
R978035381	4WE6U6X/EG24N9K4/V/62=CSA	20 / >20	10 / 20
R978898240	4WE6W6X/EG12N9K4/62	20 / >20	10 / 20
R900568233	4WE6W6X/EG24N9K4	20 / >20	10 / 20
R978017764	4WE6W6X/EG24N9K4/62	20 / >20	10 / 20
R978017868	4WE6W6X/EG24N9K4/62=CSA	20 / >20	10 / 20
R900908486	4WE6W6X/EG24N9K4/V	20 / >20	10 / 20
R978892081	4WE6W6X/EW110N9DAL/62	20 / >20	10 / 20
R900941137	4WE6X5A6X/EG24N9K4	20 / >20	10 / 20
R978878282	4WE6Y6X/EG12N9DA/62	20 / >20	10 / 20
R900942273	4WE6Y6X/EG12N9K4	20 / >20	10 / 20
R978905637	4WE6Y6X/EG12N9K4/62 CSA	20 / >20	10 / 20
R901008606	4WE6Y6X/EG12N9K4/V	20 / >20	10 / 20
R978020055	4WE6Y6X/EG12N9K4/V/62=CSA	20 / >20	10 / 20
R978878286	4WE6Y6X/EG24N9DA/62	20 / >20	10 / 20
R900935501	4WE6Y6X/EG24N9DAL	20 / >20	10 / 20
R900561276	4WE6Y6X/EG24N9K4	20 / >20	10 / 20
R978017748	4WE6Y6X/EG24N9K4/62	20 / >20	10 / 20
R978017823	4WE6Y6X/EG24N9K4/62=CSA	20 / >20	10 / 20
R900908877	4WE6Y6X/EG24N9K4/B12	20 / >20	10 / 20
R900909636	4WE6Y6X/EG24N9K4/V	20 / >20	10 / 20
R901274620	4WE6Y6X/EG24N9K4/V/62	20 / >20	10 / 20
R978902121	4WE6Y6X/EG24N9K4/V/62 CSA	20 / >20	10 / 20
R900929714	4WE6Y6X/EG24N9K4=CSA	20 / >20	10 / 20
R901342992	4WE6Y6X/EG24N9K72LSO407=AN	20 / >20	10 / 20
R900909273	4WE6Y6X/EG96N9K4	20 / >20	10 / 20
R978017800	4WE6Y6X/EG96N9K4/62	20 / >20	10 / 20
R978032040	4WE6Y6X/EW110N9DA	20 / >20	10 / 20
R978874546	4WE6Y6X/EW110N9DA/62	20 / >20	10 / 20
R978891254	4WE6Y6X/EW110N9DA/V/62	20 / >20	10 / 20
R900962944	4WE6Y6X/EW110N9DAL	20 / >20	10 / 20
R978017864	4WE6Y6X/EW110N9DAL/62	20 / >20	10 / 20
R978878937	4WE6Y6X/EW110N9DAL/V/62	20 / >20	10 / 20
R900905896	4WE6Y6X/EW110N9K4	20 / >20	10 / 20
R978017791	4WE6Y6X/EW110N9K4/62	20 / >20	10 / 20
R978017846	4WE6Y6X/EW110N9K4/62=CSA	20 / >20	10 / 20
R900910847	4WE6Y6X/EW110N9K4/V	20 / >20	10 / 20
R978901065	4WE6Y6X/EW110N9K4/V/62 CSA	20 / >20	10 / 20
R900942177	4WE6Y6X/EW110N9K4=CSA	20 / >20	10 / 20

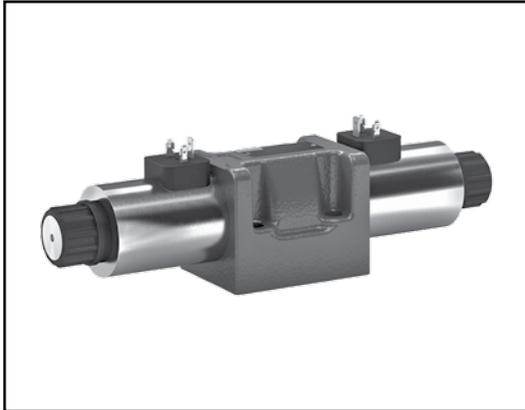
GoTo™ Graduated Lead Times available for quantities exceeding the standard GoTo max. quantity!

1) "Shipment" defined as – not to exceed the time from receipt of order to Bosch Rexroth Hydraulics to shipment ex-factory (Bosch Rexroth plant location).

GoTo Focused Delivery Program: Directional Valves

Directional spool valves, direct operated with solenoid actuation

5-WE (5-chamber version)



The 5-chamber directional valve type 5-WE is a solenoid operated directional spool valve influencing the switching time. It controls the start, stop and direction of a flow. Directional spool valves connect or isolate the connections by moving a control spool in a housing bore.

For complete engineering and design information:
GoTo www.boschrexroth-us.com/GoToDirectional

Features

- Size 10
- Porting pattern according to ISO 4401-05-04-0-05 and NFPA T3.5.1 R2-2002 D05
- Wet-pin DC solenoids with detachable coil
- Solenoid coil can be rotated by 90*
- Coil can be replaced without opening pressure tight chamber
- Single or double valve mating connectors (see RE08006)

Detailed information:

- RE23352

Technical Data

Size	10		
Version	Standard		
Operating pressure	p_{\max}	bar (PSI)	420 (6000)
Flow	$q_{v \text{ nom}}$	l/min (GPM)	150 (39.6)

Part Number	Description	Max. Quantity	Shipment (Business Days)
R901337328	5-4WE10D5X/EG24N9K4QMBG24/M	3	10
R901334064	5-4WE10EB5X/EG24N9K4QMBG24/M	3	10
R901349492	5-4WE10Y5X/EG24N9K4QMAG24/M	3	10

1) "Shipment" defined as – not to exceed the time from receipt of order to Bosch Rexroth Hydraulics to shipment ex-factory (Bosch Rexroth plant location).

GoTo Focused Delivery Program: Directional Valves

Directional spool valves, pilot operated with solenoid actuation

4WEH



Directional valves type WEH are solenoid operated directional spool valves. They control the start, stop, and direction of a flow. These pilot operated directional valves consist of a pilot control valve and main stage with spring or hydraulic centering options. Additionally, the pilot and drain configuration may be selected. A full array of spools are possible with variations in voltage and electrical connection, all within the program. Flow and pressure rates from 4000 PSI to 5000 PSI and 42 GPM to 120 GPM cover a wide range of applications.

For complete engineering and design information:
GoTo www.boschrexroth-us.com/GoTodirectional

Features

- Sizes 10 to 22
- Porting pattern according to DIN 24340 form A and ISO 4401-5, 7, 8; NFPA T3.5.1M R1, and ANSI B93.7 D 05, D 07, D 08
- Wet-pin AC or DC solenoids
- Spring and/or pressure return of the main spool to its initial position
- Spring centering (size 10, 16 & 22)
- Spring or pressure centering (sizes 16 & 22)
- Electrical connection as individual connection or central connection
- Optional switching time adjustment
- Stroke limitation of the main spool, optional
- CSA certified part numbers available in all sizes

Detailed information:

- RE24751

Technical Data

Size			10	16	22
Operating pressure	p_{max}	bar (PSI)	350/280 (5100/4060)	350/280 (5100/4060)	350/280 (5100/4060)
Flow	$q_{V max}$	l/min (GPM)	160 (42.3)	300 (79.3)	450 (118.9)

1) "Shipment" defined as – not to exceed the time from receipt of order to Bosch Rexroth Hydraulics to shipment ex-factory (Bosch Rexroth plant location).

Part Number	Description	Max. Quantity	Shipment (Business Days)
R900943462	4WEH10D4X/6EG24N9ETK4/B10	5	10
R901106535	4WEH10D4X/6EG24N9ETK4/B10=CSA	5	10
R900952630	4WEH10E4X/6EG24N9ETK4/B10	5	10
R901213170	4WEH10E4X/6EW110N9ETK4/B10=CSA	5	10
R978908782	4WEH10E4X/6EW110N9ETK4/B10N10	5	10
R900948924	4WEH10J4X/6EG24N9ETK4/B10	5	10
R900962924	4WEH10J4X/6EG24N9ETK4/B10=CSA	5	10
R900717396	4WEH10J4X/6EW110N9ETK4/B10	5	10
R901225587	4WEH16D7X/6EG12N9ETK4/B10SO388	5	10
R900924874	4WEH16D7X/6EG24N9ETK4/B10	5	10
R901221827	4WEH16D7X/6EG24N9ETK4/B10=CSA	5	10
R900923989	4WEH16D7X/6EG24N9K4	5	10
R900965804	4WEH16D7X/6EW110N9ETK4/B10	5	10
R901281255	4WEH16D7X/6EW110N9ETK4/B10=CSA	5	10
R900978983	4WEH16E7X/6EG24N9EK4/B10	5	10
R901225026	4WEH16E7X/6EG24N9EK4/B10=CSA	5	10
R901236007	4WEH16E7X/6EG24N9ETDAL/B10	5	10
R900923971	4WEH16E7X/6EG24N9ETK4/B10	5	10
R900958279	4WEH16E7X/6EG24N9ETK4/B10=CSA	5	10
R900608720	4WEH16E7X/6EG24N9K4/B10	5	10
R900933564	4WEH16E7X/6EG24N9TK4/B10	5	10
R901225031	4WEH16E7X/6EW110N9EDAL/B10	5	10
R901225039	4WEH16E7X/6EW110N9ETDAL/B10	5	10
R900705278	4WEH16EA7X/6EW110N9ETK4/B10	5	10
R900931973	4WEH16EB7X/6EG24N9TK4	5	10
R900248291	4WEH16HD7X/O6EG24N9ETK4/B10	5	10
R900930431	4WEH16J7X/6EG24N9ETK4/B10	5	10
R900958161	4WEH16J7X/6EG24N9ETK4/B10=CSA	5	10
R900925580	4WEH16J7X/6EG24N9K4	5	10
R900972458	4WEH16J7X/6EG24N9K4/B10	5	10
R900927255	4WEH16J7X/6EG24N9TK4	5	10
R900959609	4WEH16J7X/6EW110N9EK4/B10	5	10
R900957117	4WEH16J7X/6EW110N9EK4/B10=CSA	5	10
R900939187	4WEH16J7X/6EW110N9ETK4/B10	5	10
R901181644	4WEH16J7X/6EW110N9ETK4/B10=CSA	5	10
R901025600	4WEH16JB7X/6EW110N9EK4/B10	5	10
R978899831	4WEH22D7X/6EW110N9DA	5	10
R978913434	4WEH22D7X/6EW110N9EDAL/B10	5	10
R978891600	4WEH22D7X/6EW110N9ETDAL/B10	5	10
R900966234	4WEH22D7X/6EW110N9ETDAL/B10=CSA	5	10
R900973561	4WEH22D7X/6EW110N9ETK4/B10	5	10
R900935725	4WEH22D7X/6EW110N9K4	5	10
R978010140	4WEH22D7X/OF6EW110N9K4/B10	5	10
R900932659	4WEH22E7X/6EG24N9EK4/B10	5	10
R900943534	4WEH22E7X/6EG24N9ETK4/B10	5	10
R978892640	4WEH22E7X/6EW110N9DA	5	10
R901225767	4WEH22E7X/6EW110N9EDAL/B10	5	10
R901225788	4WEH22E7X/6EW110N9EDAL/B10=CSA	5	10

1) "Shipment" defined as – not to exceed the time from receipt of order to Bosch Rexroth Hydraulics to shipment ex-factory (Bosch Rexroth plant location).

Part Number	Description	Max. Quantity	Shipment (Business Days)
R901225778	4WEH22E7X/6EW110N9ETDA/B10	5	10
R901205276	4WEH22E7X/6EW110N9ETDAL/B10	5	10
R901033012	4WEH22E7X/6EW110N9ETDAL/B10=CSA	5	10
R901211089	4WEH22E7X/6EW110N9ETK4/B10	5	10
R901082531	4WEH22E7X/6EW110N9ETK4/B10=CSA	5	10
R900911063	4WEH22E7X/6EW110N9K4	5	10
R978907992	4WEH22E7X/6EW110N9TDA	5	10
R978002840	4WEH22G7X/6EG24N9K4	5	10
R978892609	4WEH22G7X/6EW110N9DA	5	10
R901225800	4WEH22G7X/6EW110N9EDA/B10	5	10
R900939327	4WEH22G7X/6EW110N9K4	5	10
R978910815	4WEH22H7X/6EG12N9TK4	5	10
R900977313	4WEH22J7X/6EG24N9EK4/B10	5	10
R901211330	4WEH22J7X/6EG24N9EK4/B10=CSA	5	10
R900932049	4WEH22J7X/6EG24N9ETK4/B10	5	10
R978912740	4WEH22J7X/6EG24N9ETK4/B10=CSA	5	10
R978896846	4WEH22J7X/6EW110N9DA	5	10
R900939179	4WEH22J7X/6EW110N9EK4/B10	5	10
R900939186	4WEH22J7X/6EW110N9ETK4/B10	5	10
R900912919	4WEH22J7X/6EW110N9K4	5	10
R900923871	4WH 16 D7X/	5	10
R900409848	4WH 22 J7X/	5	10
R900491846	4WH 22 Y7X/	5	10
R900932940	H-4WEH 25 J6X/6EG24N9ETK4/B10D3	5	10
R978904865	H-4WEH25G6X/6EW110N9DA	5	10

1) "Shipment" defined as – not to exceed the time from receipt of order to Bosch Rexroth Hydraulics to shipment ex-factory (Bosch Rexroth plant location).

GoTo Focused Delivery Program: Directional Valves

Directional shut-off valves, internally pilot operated, externally pilot operated

Z4WEH



Valve type Z4WEH are directional spool valves with electrohydraulic actuation. They control the start and stop of a flow, and function as an emergency on-off isolating valve or on-off isolating/bypass valve, primarily used for servo/proportional systems.

For complete engineering and design information:
GoTo www.boschrexroth-us.com/GoTodirectional

Features

- Sizes 10
- Directional spool valve, pilot operated
- 2 types of actuation:
 - Electrohydraulic (type WEH)
 - Hydraulic (type WH) – available
- Function as shut-off through-valve or shut-off/through valve/short-circuit valve
- Free flow in P and T in every spool position
- Porting pattern to ISO 4401-05-04-0-05
- Wet-pin DC or AC voltage solenoids, optional
- Manual override, optional
- Electrical connection as individual or central connection
- Switching time adjustment, optional
- Stroke adjustment of main spool, optional
- Inductive position switch and proximity sensors

Detailed information:

- RE24753

Technical Data

Size	10		
Maximum operating pressure	p_{\max}	bar (PSI)	315 (4600)
Flow	$q_{V \max}$	l/min (GPM)	160 (42)

Part Number	Description	Max. Quantity	Shipment (Business Days)
R900940791	Z4WE6E63-3X/EG24K4QMAG24	3	10
R900941212	Z4WE6E68-3X/EG24N9K4	5	10
R900977314	Z4WEH10E63-4X/6EG24NETK4/B10	5	10

1) "Shipment" defined as – not to exceed the time from receipt of order to Bosch Rexroth Hydraulics to shipment ex-factory (Bosch Rexroth plant location).

GoTo Focused Delivery Program: Directional Valves

Logic valves for direction functions

LC + LFA



Logic valves consist of a cartridge (LC) and cover (LFA) which are ordered separately. The directional valve cartridges have area ratios to suit application needs. LC..A has a 50% or (2:1) area ratio. LC..B has a 7% (14.3:1) area ratio. Cracking pressure is determined by spring code (ex: 00 = no spring, 10 = 1 bar). The LC without damping nose has option E. The LC with damping nose has option D. The LFA for direction functions have many configurations (D, WEA, GWA, KWA) with various options. When the cover accepts a directional pilot valve, this (4WE6, SEW, SED) must be specified separately. The standard LFA includes metric fasteners.

For complete engineering and design information:
GoTo www.boschrexroth-us.com/GoTodirectional

Features

- Sizes 16, 25, 32, 40, 50, 63
- Mounting cavity and connections to DIN ISO 7368
- LC has 2 area ratios, various springs, optional damping nose
- Control cover with remote control port
- Control cover for mounting directional spool or poppet valve

Detailed information:

- RE21010 (LC..A, B)

Technical Data

Size		16	25	32	40	50	63
Maximum pressure without directional valve	bar	420					
Maximum pressure ports A, B, X, Z1, Z2**	bar	315, 350, 420 (according to build-on)					
Maximum pressure ports Y**	bar	(according to build-on)					
Max. Flow @10 bar delta-p (w/o damping nose)*	l/min	320	800	1300	2200	2800	4600
Max. Flow @10 bar delta-p (with damping nose)*	l/min	300	600	1000	1750	2300	3400

* see flow curves on data sheet

** pressure according to built-on valve (WE, SEW, SED)

Part Number	Description	Max. Quantity	Shipment (Business Days)
R900912570	LC 16 A00D7X/	3	10
R900910269	LC 16 A20E7X/	3	10
R900912573	LC 16 A40D7X/	3	10
R900912593	LC 16 B05E7X/	3	10
R900912599	LC 16 B20D7X/	5	10
R900912590	LC 16 B40E7X/	5	10
R900912579	LC 25 A00D7X/	3	10
R900909251	LC 25 A05D7X/	5	10
R900912576	LC 25 A05E7X/	3	10
R900941241	LC 25 A05E7X/V	3	10
R900912578	LC 25 A10D7X/	3	10
R900912577	LC 25 A10E7X/	5	10
R900912580	LC 25 A20D7X/	3	10
R900910270	LC 25 A20E7X/	3	10
R900912581	LC 25 A40D7X/	5	10
R900912574	LC 25 A40E7X/	5	10
R900909246	LC 25 B05E7X/	5	10
R900912604	LC 25 B20E7X/	3	10
R900912585	LC 32 A05E7X/	3	10
R900912583	LC 32 A10E7X/	3	10
R900912589	LC 32 A20D7X/	3	10
R900906337	LC 32 A20E7X/	5	10
R900909662	LC 32 A40E7X/	3	10
R900909570	LC 32 B05E7X/	5	10
R900912610	LC 32 B40E7X/	5	10
R900937996	LC 40 A05E7X/	3	10
R900937999	LC 40 A20D7X/	3	10
R900938000	LC 40 A20E7X/	5	10
R900927973	LC 40 A40E7X/	5	10
R900938002	LC 40 B05E7X/	5	10
R900938006	LC 40 B20D7X/	5	10
R900938007	LC 40 B20E7X/	5	10
R900938009	LC 40 B40E7X/	5	10
R900938022	LC 50 A05E7X/	3	10
R900938026	LC 50 A20D7X/	5	10
R900920273	LC 50 A20E7X/	3	10
R900928826	LC 63 A20E7X/	5	10
R900912625	LFA 16 D-7X/F	3	10
R900932358	LFA 16 WEA-7X//12	3	10
R900905302	LFA 25 D-7X/F	3	10
R900932362	LFA 25 D-7X/F/12	5	10
R900954327	LFA 25 D-7X/FV/12	3	10
R900932363	LFA 25 GWA-7X//12	5	10
R900932364	LFA 25 H2-7X/F/12	5	10
R900910273	LFA 25 WEA-7X/	3	10
R900932368	LFA 25 WEA-7X//12	5	10
R901056232	LFA 25 WEA-7X/A08T08	3	10
R900701867	LFA 25 WEA-7X/T10	3	10

1) "Shipment" defined as – not to exceed the time from receipt of order to Bosch Rexroth Hydraulics to shipment ex-factory (Bosch Rexroth plant location).

Part Number	Description	Max. Quantity	Shipment (Business Days)
R900773881	LFA 25 WEMA-7X/V/12	3	10
R900905303	LFA 32 D-7X/F	3	10
R900932373	LFA 32 D-7X/F/12	5	10
R900912708	LFA 32 GWA-7X/	3	10
R900932746	LFA 32 KWA-7X/A15	3	10
R900912712	LFA 32 WEA-7X/	3	10
R900932379	LFA 32 WEA-7X//12	3	10
R901229326	LFA 32 WEA-7X/P20	3	10
R900938073	LFA 40 D-7X/F	3	10
R900938074	LFA 40 D-7X/F/12	5	10
R900956116	LFA 40 GWA-7X//12	5	10
R900938124	LFA 40 H2-7X/F/12	3	10
R900968571	LFA 40 WEA-7X//12	3	10
R900938150	LFA 50 D-7X/F	3	10
R900970722	LFA 50 WEA-7X//12	3	10

1) "Shipment" defined as – not to exceed the time from receipt of order to Bosch Rexroth Hydraulics to shipment ex-factory (Bosch Rexroth plant location).

GoTo Focused Delivery Program: Directional Valves

Logic valves for pressure functions

LC + LFA



Logic valves consist of a cartridge (LC) and cover (LFA) which are ordered separately. The LC..DB is a pressure relief cartridge. Cracking pressure is determined by spring code (ex: 40 = 4 bar). The LC without damping nose has option E. The LC with damping nose has option D. The LFA for pressure functions have many configuration. LFA..DB includes a manual relief valve. LFA..DBEM has mounting provision for a proportional relief valve. The standard LFA includes metric fasteners.

For complete engineering and design information:
GoTo www.boschrexroth-us.com/GoTodirectional

Features

- Sizes 16, 25, 32, 40
 - Mounting cavity and connections to DIN ISO 7368
 - LC has optional damping nose
 - Control cover with DB relief cartridge
 - Control cover for mounting DBET proportional relief valve
- Detailed information:**

 - • RA21050 (LC..DB)

Technical Data

Size		16	25	32	40
Maximum pressure LC without pilot valve	bar	420			
Pressure limit, determined by pilot valve	bar	50, 100, 200, 315, 350, 420			
Maximum Flow (w/o damping nose E)	l/min	300	450	600	1000
Maximum Flow (with damping nose D)	l/min	175	300	450	700

1) "Shipment" defined as – not to exceed the time from receipt of order to Bosch Rexroth Hydraulics to shipment ex-factory (Bosch Rexroth plant location).

Part Number	Description	Max. Quantity	Shipment (Business Days)
R900912531	LC 16 DB20E7X/	5	10
R900912547	LC 16 DB40D7X/	3	10
R900912532	LC 16 DB40E7X/	3	10
R900912549	LC 25 DB20E7X/	5	10
R900912555	LC 25 DB40D7X/	5	10
R900912550	LC 25 DB40E7X/	3	10
R900912543	LC 32 DB20E7X/	5	10
R900912557	LC 32 DB40D7X/	5	10
R900910773	LC 32 DB40E7X/	3	10
R900938012	LC 40 DB20E7X/	5	10
R900938014	LC 40 DB40D7X/	3	10
R900927969	LC 40 DB40E7X/	5	10
R900938039	LC 50 DB20E7X/	5	10
R900938041	LC 50 DB40E7X/	5	10
R900912757	LFA 16 DB2-7X/315	3	10
R900912761	LFA 25 DB2-7X/315	3	10
R900932360	LFA 25 DBW2-7X/200/12	5	10
R900912801	LFA 32 DBEM-7X/315	3	10
R900948914	LFA 40 DBW2-7X/200/12	5	10
R900961763	LFA 40 DBW2-7X/315/12	5	10

1) "Shipment" defined as – not to exceed the time from receipt of order to Bosch Rexroth Hydraulics to shipment ex-factory (Bosch Rexroth plant location).

GoTo Focused Delivery Program: Pressure Control Valves

Pressure relief valves, direct operated

DBD



The DBD pressure relief valves are direct operated type relief valves. They are used to limit the pressure in a hydraulic system. DBD type relief valves offer line contact sealing for minimal leakage at closure and a full array of pressure capacities are available.

For complete engineering and design information:
GoTo www.boschrexroth-us.com/GoToPressure

Features

- Sizes 6 to 20
- For threaded connection (“G”)
- As cartridge valve (“K”)
- Optional adjustment types:
 - Screw with hexagon socket and protective cap
 - Rotary knob / hand wheel

Detailed information:
• RE25402

Technical Data

Size		6	10	20
Version		“G, K”	“G, K”	“G, K”
Operating pressure	p_{max} bar (PSI)	100 (1450) 400 (5800)	100 (1450) 630 (9150)	400 (5800)
Flow	$q_{V max}$ l/min (GPM)	50 (13)	120 (32)	250 (66)
Version “G” port size	SAE	-4; 7/16-20	-8; 3/4-16	-16; 1-5/6-12

Part Number	Description	Max. Quantity	Shipment (Business Days)
R900423891	DBDH 10 K1X/100	5	10
R900424190	DBDH 10 K1X/200	5	10
R900345310	DBDH 6 G1X/200/12	5	10
R900458278	DBDH 6 G1X/315/12	5	10
R900385305	DBDH 6 G1X/400/12	5	10
R900424199	DBDH 6 K1X/100	5	10
R900424200	DBDH 6 K1X/200	5	10
R900424201	DBDH6K1X/315	5	10
R900424202	DBDH6K1X/400	5	10
R900341591	DBDS 10 G1X/200/12	5	10
R900351411	DBDS 10 G1X/25/12	5	10
R900377746	DBDS 10 G1X/315/12	5	10
R900342738	DBDS 10 G1X/400/12	5	10
R900347687	DBDS 10 G1X/50/12	5	10
R900424149	DBDS 10 K1X/200	5	10
R900420276	DBDS 10 K1X/25	5	10
R900424150	DBDS 10 K1X/315	5	10
R900424151	DBDS 10 K1X/315V	5	10
R900424153	DBDS 10 K1X/50	5	10
R900345502	DBDS 20 G1X/200/12	5	10
R900356476	DBDS 20 G1X/315/12	5	10
R900424269	DBDS 20 K1X/200	5	10
R900424271	DBDS 20 K1X/315	5	10
R900424203	DBDS 20 K1X/400	5	10
R900424286	DBDS 30 K1X/200	5	10
R900424288	DBDS 30 K1X/315	5	10
R900341066	DBDS 6 G1X/200/12	5	10
R900352672	DBDS 6 G1X/315/12	5	10
R900423723	DBDS 6 K1X/100	5	10
R900423724	DBDS 6 K1X/200	5	10
R900423725	DBDS 6 K1X/315	5	10
R900428388	DBDS 6 K1X/315V	5	10
R900423726	DBDS 6 K1X/400	5	10
R900423727	DBDS 6 K1X/50	5	10
R900424152	DBDS10K1X/400	5	10

1) "Shipment" defined as – not to exceed the time from receipt of order to Bosch Rexroth Hydraulics to shipment ex-factory (Bosch Rexroth plant location).

GoTo Focused Delivery Program: Pressure Control Valves

Pressure relief valves

DZT



Type DZT pressure relief valves are seat design remote control valves and allow for the limitation of the system pressure. These valves are basically used as pilot control valves for the indirect control of major flow.

For complete engineering and design information:
GoTo www.boschrexroth-us.com/GoToPressure

Features

- Sizes 6
- Directly operated valve for the limitation of the system pressure
- Application as pilot control valve
- For plate and control panel mounting

Detailed information:
• RE25724

Technical Data

Size	6		
Maximum operating pressure	p_{max}	bar (PSI)	350 (5100)
Maximum flow	$q_{V max}$	l/min (GPM)	3 (0.79)

Part Number	Description	Max. Quantity	Shipment (Business Days)
0811104126	DZT-XA2-1X/160	3	10

1) "Shipment" defined as – not to exceed the time from receipt of order to Bosch Rexroth Hydraulics to shipment ex-factory (Bosch Rexroth plant location).

GoTo Focused Delivery Program: Pressure Control Valves

Pressure relief valves – direct operated

ZDBD & Z2DBD



ZDBD and Z2DBD are direct operated relief valves with a sandwich mount design. Several pressure ranges are available, up to 350 bar. The improved performance in a very cost effective design made for demanding mobile and industrial applications.

ZDBD models have a single port pressure relief in ports A, B or P. Z2DBD models have dual port relief, for (A-T, B-T) or a cross port relief function.

For complete engineering and design information:
GoTo www.boschrexroth-us.com/GoTopressure

Features

- Size 6, Size 10
- Nominal flow to 60, 120 Lpm
- Several pressure ranges, up to 350 bar
- Single port relief: DA, DB, or DP
- Dual port relief: DC (A-T, B-T) or DD (A-B, B-A)
- Mounts on ISO 4401-3, ANSI B93.8 D03; or ISO 4401-5, ANSI B93.8 D05
- Includes hole for locating pin R900005694 (separate order)
- Hex screw adjustment type

Detailed information:

- Size 6: RE25771
- Size 10: RE25774

Technical Data

Size			6	10
Max. operating pressure	p_{max}	bar (PSI)	350 (5000)	
Max. pressure settings (outlet)		bar (PSI)	50 to 350 (725 to 5000)	
Nominal flow	$q_{V max}$	l/min (GPM)	60 (16)	120 (32)

Part Number	Description	Max. Quantity	Shipment (Business Days)
R901233033	Z2DB 10 DC2-2X/200V	3	10
R901232960	Z2DB 10 DC2-2X/350V	3	10
R901439552	Z2DB 10 DD2-2X/200V	3	10
R901439544	ZDB 10 DA2-2X/200V	3	10
R901439545	ZDB 10 DA2-2X/350V	3	10
R901439549	ZDB 10 DB2-2X/200V	3	10
R901439550	ZDB 10 DB2-2X/350V	3	10
R901232957	ZDB 10 DP2-2X/200V	3	10
R901438983	ZDB 10 DP2-2X/350MPV	3	10
R901423482	ZDB 6 DA2-2X/200V	3	10
R901423483	ZDB 6 DA2-2X/350V	3	10
R901423487	ZDB 6 DB2-2X/200V	3	10
R901423490	ZDB 6 DB2-2X/350V	3	10
R901431559	ZDB 6 DP2-2X/200MPV	3	10
R901422002	ZDB 6 DP2-2X/350MPV	3	10

1) "Shipment" defined as – not to exceed the time from receipt of order to Bosch Rexroth Hydraulics to shipment ex-factory (Bosch Rexroth plant location).

GoTo Focused Delivery Program: Pressure Control Valves

Pressure relief valves – sandwich module, pilot operated ZDB & Z2DB



Pressure relief valve types ZDB and Z2DB are pilot sandwich type pressure controls. ZDB versions offer single port pressure control, while Z2DB models offer dual port pressure control. Z2DB models can be configured as either port relief or cross port relief. The ZDB program offers multiple spring options.

For complete engineering and design information:
GoTo www.boschrexroth-us.com/GoTopressure

Features

- Sizes 6 and 10
- For mounting:
 - Size 6: Porting pattern according to ISO 4401-3, NFPA T3.5.1M R1, and ANSI B93.7 D 03
 - Size 10: Porting pattern according to ISO 4401-5, NFPA T3.5.1M R1, and ANSI B93.7 D05
- Four pressure ratings: 50 bar (725 PSI), 100 bar (1450 PSI), 200 bar (2900 PSI), and 315 bar (4600 PSI)
- Five pressure relief functions:
 - A → T; P → T; B → T; A → T as well as A+B → T; A → B and B → A
- Adjustment type:
 - Hex screw with protective cap

Detailed information:

- Size 6
ZDB & Z2DB:
RE25751
- Size 10
ZDB & Z2DB:
RE25761

Technical Data

ZDB & Z2DB		Size	6	10
Operating pressure	p_{max}	bar (PSI)	315 (4600)	350 (4600)
Flow	$q_{V max}$	l/min (GPM)	60 (15.9)	100 (26.4)

Part Number	Description	Max. Quantity	Shipment (Business Days)
R900411358	Z2DB 10 VD2-4X/200V	5	10
R900411312	Z2DB 6 VC2-4X/200V	5	10
R900411318	Z2DB 6 VC2-4X/315V	5	10
R900411314	Z2DB 6 VD2-4X/200V	5	10
R900422189	ZDB 10 VA2-4X/200V	5	10
R900409937	ZDB 10 VP2-4X/200V	5	10
R900409958	ZDB 10 VP2-4X/315V	5	10
R900409886	ZDB 6 VA2-4X/200V	5	10
R900409893	ZDB 6 VA2-4X/315V	5	10
R900409936	ZDB 6 VB2-4X/100V	5	10
R900409854	ZDB 6 VB2-4X/200V	5	10
R900409896	ZDB 6 VB2-4X/315V	5	10
R900409933	ZDB 6 VP2-4X/100V	5	10
R900409844	ZDB 6 VP2-4X/200V	5	10
R900409898	ZDB 6 VP2-4X/315V	5	10

1) "Shipment" defined as – not to exceed the time from receipt of order to Bosch Rexroth Hydraulics to shipment ex-factory (Bosch Rexroth plant location).

GoTo Focused Delivery Program: Pressure Control Valves

Pressure relief valve, pilot operated

DB & DBW



Pressure control valves of type DB are pilot operated pressure relief valves. They are used for the limitation of the operating pressure. Pressure relief valves basically consist of a main valve with main spool insert and pilot valve with pressure adjustment element.

For complete engineering and design information:
GoTo www.boschrexroth-us.com/GoTopressure

Features

- Sizes 10, 20, & 30
- For mounting:
- – Porting pattern according to ISO 6264-AT-10-2-A

Detailed information:

- RE25802

Technical Data

Size		10	20	30
Operating pressure	p_{max} bar (PSI)	350 (5100)	350 (5100)	350 (5100)
Flow	$q_{V max}$ l/min (GPM)	250 (66)	500 (132)	650 (172)

Part Number	Description	Max. Quantity	Shipment (Business Days)
R900535928	DB 10-2-5X/200/12	3	10
R900511690	DB 20-2-5X/315/12	3	10
R900558107	DB 30-2-5X/315/12	3	10
R978030501	DBW 10 A2-5X/200Y6EW110N9K4/12	3	10
R900955012	DBW 10 B2-5X/315-6EG24N9K4/12	5	10
R900925587	DBW 20 B2-5X/200-6EW110N9K4/12	5	10
R900941920	DBW 30 B2-5X/315-6EG24N9K4/12	5	10
R978912159	DBW10A2-5X/200-6EG24N9K4/12	3	10
R978010494	DBW20A2-5X/200-6EG24N9K4/12	3	10
R978910390	DBW20A2-5X/200-6EW110N9K4/12	3	10

1) "Shipment" defined as – not to exceed the time from receipt of order to Bosch Rexroth Hydraulics to shipment ex-factory (Bosch Rexroth plant location).

GoTo Focused Delivery Program: Pressure Control Valves

Pressure reducing valve, direct operated

DR



The valve type DR 6 DP is a direct operated pressure reducing valve in 3-way design, i.e. with pressure limitation of the secondary circuit.

For complete engineering and design information:
GoTo www.boschrexroth-us.com/GoToPressure

Features

- For subplate mounting
- Porting pattern according to DIN 24340 form A
- Porting pattern according to ISO 4401-03-02-0-05 and NFPA T3.5.1 R2-2002 D03 (with locating hole)
- 4 adjustment types for pressure adjustment, optionally:
 - Rotary knob
 - Hex screw with protective cap
 - Lockable rotary knob with scale
 - Rotary knob with scale
- 5 pressure ratings
- Check valve, optional

Detailed information:

- RE26564

Technical Data

DR		
Weight	kg (lbs)	1.2 (2.64)
Ambient temperature range	°C (°F)	–30 to +80 (–22 to +176) [NBR seals] –20 to +80 (–4 to +176) [FKM seals]
Maximum operating pressure	– Port P bar (PSI)	315 (4600)
Maximum secondary pressure	– Port A bar (PSI)	150 (2175)
Maximum backpressure	– Port T (Y) bar (PSI)	160 (2300)
Maximum flow	l/min (GPM)	60 (15.9)

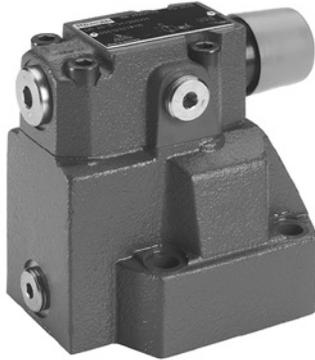
Part Number	Description	Max. Quantity	Shipment (Business Days)
R900554887	DR 6 DP1-5X/150YM/12	5	10
R900433346	DR 6 DP2-5X/75YM/12	5	10
R900481941	DR6DP2-5X/150Y/12	5	10
R900479792	DR6DP2-5X/150YM/12	5	10
R900434477	DR6DP2-5X/210YM/12	5	10

1) "Shipment" defined as – not to exceed the time from receipt of order to Bosch Rexroth Hydraulics to shipment ex-factory (Bosch Rexroth plant location).

GoTo Focused Delivery Program: Pressure Control Valves

Pressure reducing valve, pilot operated

DR



Models DR are pilot operated reducing valves. They reduce pressure in a branch circuit lower than that of the main circuit. The valve design is capable of maintaining a precise pressure setting even at high flow.

For complete engineering and design information:
GoTo www.boschrexroth-us.com/GoToPressure

Features

- Size 10, 20
- Nominal Pressure 100, 200 Bar
- Mounts on standard ISO 5781-06, 08, or 10
- 4 adjustment types for pressure adjustment, optionally:
 - Rotary knob
 - Hex screw with protective cap
 - Lockable rotary knob with scale
 - Rotary knob with scale

Detailed information:

- RE26892

Technical Data

Size		10	20
Operating Pressure	Bar	350	350
Maximum flow	GPM	39.6	79.2
Weight	lb.	7.5	11.7

Part Number	Description	Max. Quantity	Shipment (Business Days)
R900618736	DR 10-5-5X/200YM/12	5	10
R900519810	DR 20-5-5X/100Y/12	5	10
R900546289	DR 20-5-5X/200YM/12	5	10

1) "Shipment" defined as – not to exceed the time from receipt of order to Bosch Rexroth Hydraulics to shipment ex-factory (Bosch Rexroth plant location).

GoTo Focused Delivery Program: Pressure Control Valves

Pressure-reducing valves – sandwich module, direct operated

ZDR



Models ZDR are 3-way direct operated pressure reducing-relieving valves. They maintain a “reduced” pressure in a branch circuit and permit “relieving” pressure spike occurrences in the reduced branch circuit. Options for pressure ranges and operator adjustment options are within the scope of the modular reducing valve portfolio.

For complete engineering and design information:
GoTo www.boschrexroth-us.com/GoToPressure

Features

- Sizes 6 and 10
- For mounting:
 - Size 6: Porting pattern according to ISO 4401-3, NFPA T3.5.1M Ra, and ANSI B93.7 D 03
 - Size 10: Porting pattern according to ISO 4401-05, NFPA T3.5.1M R1, and ANSI B93.7 D 05
- Pressure reduction in channel A, B or P
- Four pressure ratings:
 - 25 bar (360 PSI), 75 bar (1100 PSI), 150 bar (2175 PSI), 210 bar (3050 PSI)
- Adjustment type:
 - Hex screw with protective cap
- Check valve, optional

Detailed information:

- Size 6: RE26570
- Size 10: RE26585 RA26861

Technical Data

ZDR	Size	6	10
Component series		4X	5X
Operating pressure	p_{max} bar (PSI)	210 (3050)	210 (3050)
Flow	qV_{max} l/min (GPM)	50 (13.2)	80 (21.1)

Part Number	Description	Max. Quantity	Shipment (Business Days)
R900410880	ZDR 10 DP2-5X/150YM	5	10
R900582108	ZDR 10 DP2-5X/150YM/12	5	10
R900582564	ZDR 10 DP2-5X/210YM/12	5	10
R900513528	ZDR 10 DP2-5X/75YM/12	5	10
R900512452	ZDR 10 VP5-3X/200YM/12	5	10
R900410849	ZDR 6 DA2-4X/150Y	5	10
R900427723	ZDR 6 DA2-4X/150Y/12	5	10
R900401222	ZDR 6 DA2-4X/210Y/12	5	10
R900410813	ZDR 6 DA2-4X/75Y	5	10
R900430193	ZDR 6 DA2-4X/75Y/12	5	10
R900441081	ZDR 6 DA2-4X/75YM/12	5	10
R900431172	ZDR 6 DB2-4X/150YM	5	10
R900483787	ZDR 6 DP2-4X/150YM	5	10
R900404754	ZDR 6 DP2-4X/150YM/12	5	10
R900483788	ZDR 6 DP2-4X/210YM	5	10
R900433350	ZDR 6 DP2-4X/210YM/12	5	10
R900483785	ZDR 6 DP2-4X/25YM	5	10
R900404346	ZDR 6 DP2-4X/25YM/12	5	10
R900483786	ZDR 6 DP2-4X/75YM	5	10
R900401216	ZDR 6 DP2-4X/75YM/12	5	10

1) "Shipment" defined as – not to exceed the time from receipt of order to Bosch Rexroth Hydraulics to shipment ex-factory (Bosch Rexroth plant location).

GoTo Focused Delivery Program: Pressure Control Valves

Pressure-reducing valves – pilot operated

Z3DR6

	<p>Z3DR 6 is a new sandwich pilot operated, 3-way pressure reducing valve. Pressure reducing-relieving in port P is available in (4) pressure settings 50, 100, 200 and 315 bar.</p> <p>The Z3DR 6 has a low pressure drop, reduced hysteresis, improved stability, higher pressure rating. The cost effective design suitable for demanding mobile and industrial applications.</p> <p>For complete engineering and design information: GoTo www.boschrexroth-us.com/GoTopressure</p>
---	--

Features

- Size 6
- Nominal flow to 60 Lpm
- Pilot operated, reducing in P-port (model VP)
- Four pressure ranges 50, 100, 200, 315 bar
- Improved performance and stability
- Mounts on ISO 4401-3, ANSI B93.8 D03
- Hex screw adjustment type with protective cap

Detailed information:
• RE26871

Technical Data

Size			6
Max. operating pressure	p_{max}	bar (PSI)	350 (5000)
Max. pressure settings (outlet)		bar (PSI)	50 to 315 (725 to 4570)
Nominal flow	$q_{V max}$	l/min (GPM)	60 (16)

Part Number	Description	Max. Quantity	Shipment (Business Days)
R901160883	Z3DR 6 VP2-1X/100MSV/12	3	10
R901159724	Z3DR 6 VP2-1X/200V	3	10
R901232899	Z3DR 6 VP2-1X/315V	3	10
R901161012	Z3DR 6 VP2-1X/50MSV/12	3	10

1) "Shipment" defined as – not to exceed the time from receipt of order to Bosch Rexroth Hydraulics to shipment ex-factory (Bosch Rexroth plant location).

GoTo Focused Delivery Program: Pressure Control Valves

Pressure-reducing valves – pilot operated

Z3DR10



Z3DR 10 is a new sandwich pilot operated, 3-way pressure reducing valve. Maximum pressure is 350 bar. Pressure reducing-relieving is available in (4) pressure settings 50, 100, 200 and 315 bar at controlled port. VP models reduce pressure in P-port. Adjustment-2 has an internal hex. MS models include a measuring port on side. SO30 models include X and Y ports, for use with pilot operated (directional valve) applications. Z3DR 10 features a high pressure, cast housing with low pressure drop and long life. It has improved stability, reduced hysteresis, and superior pressure regulation under changing flows. The cost effective design is suitable for demanding mobile and industrial applications.

For complete engineering and design information:
GoTo www.boschrexroth-us.com/GoToPressure

Features

- Size 10
- Maximum flow 120 Lpm
- 350 bar maximum pressure
- 50, 100, 200, 315 bar pressure reducing
- Improved performance and stability
- MS models include measurement port
- Porting pattern ISO 4401-05-04 (So30: ISO 4401-05-05)

Detailed information:

- RE26874

Technical Data

Size	10		
Max. Operating Pressure	p_{max}	bar (psi)	350 (5000)
Max. Pressure Settings (outlet)		bar (psi)	50, 100, 200, 315 (725, 1450, 2900, 4570)
Nominal flow	$q_{v\ max}$	l/min (gpm)	120 (32)

Part Number	Description	Max. Quantity	Shipment (Business Days)
R901155612	Z3DR 10 VP2-1X/100MSV/12	3	10
R901155617	Z3DR 10 VP2-1X/200MSV/12	3	10
R901405944	Z3DR 10 VP2-1X/315MSV SO30	3	10
R901155687	Z3DR 10 VP2-1X/50MSV/12	3	10

1) "Shipment" defined as – not to exceed the time from receipt of order to Bosch Rexroth Hydraulics to shipment ex-factory (Bosch Rexroth plant location).

GoTo Focused Delivery Program: Flow Control Valves

Throttle valves and throttle check valves

MG

	<p>Valve model MG is a pressure and viscosity dependent throttle valve. Model MG (throttle valve) throttles in both flow directions.</p> <p>For complete engineering and design information: GoTo www.boschrexroth-us.com/GoTocheck</p>
---	--

Features

- Size 10
- For in-line installation
- Related to pressure and viscosity
- Throttling in both directions of flow

Detailed information:
• RA27219

Technical Data

Size			10
Operating pressure	p_{max}	bar (PSI)	315 (4600)
Flow	$q_{V max}$	l/min (GPM)	50 (13.21)

Part Number	Description	Max. Quantity	Shipment (Business Days)
R900422145	MG 10 G1X/V	5	10

1) "Shipment" defined as – not to exceed the time from receipt of order to Bosch Rexroth Hydraulics to shipment ex-factory (Bosch Rexroth plant location).

GoTo Focused Delivery Program: Flow Control Valves

Double throttle check valves – sandwich module Z2FS



Flow control valves, Model Z2FS, are double throttle/check sandwich type valves. They restrict flow to or from actuator ports (A & B) of a directional valve. Two throttle/check valves, symmetrically arranged in the housing, restrict flow with adjustable throttles in one direction while providing free flow in the opposite direction.

For complete engineering and design information:
GoTo www.boschrexroth-us.com/GoToflow

Features

- Sizes 6 to 22
- For mounting:
 - Size 6: Porting pattern according to ISO 4401-3, NFPA T3.5.1M R1, and ANSI B93.7 D 03
 - Size 10: Porting pattern according to ISO 4401-5, NFPA T3.5.1M R1, and ANSI B93.7 D 05
 - Size 16: Porting pattern according to ISO 4401-7, NFPA T3.5.1M R1, and ANSI B93.7 D 07
 - Size 22: Porting pattern according to ISO 4401-8, NFPA T3.5.1M R1, and ANSI B93.7 D 08
- For limiting the main or pilot flow of one or two actuators
- Meter-in or meter-out throttling
- Adjustment type:
 - Softscrew with locknut

Detailed information:

- Z2FS Size 6: RE27506
- Z2FS Size 10: RE27518
- Z2FS Size 16: RE27526
- Z2FS Size 22: RE27536

Technical Data

Z2FS		Size	6	10	16	22
Operating pressure	p_{max}	bar (PSI)	315 (4600)	315 (4600)	350 (5100)	350 (5100)
Flow	$q_{v nom}$	l/min (GPM)	80 (21)	160 (42)	250 (66)	360 (95)

Z2FSK		Size	6	10
Operating pressure	p_{max}	bar (PSI)	210 (3000)	210 (3000)
Flow	$q_{v nom}$	l/min (GPM)	40 (10.5)	80 (21)

Part Number	Description	Max. Quantity	Shipment (Business Days)
R900523737	Z2FS 10-3-3X/V	5	10
R900517812	Z2FS 10-5-3X/V	5	10
R900459203	Z2FS 16-8-3X/S	5	10
R900457256	Z2FS 16-8-3X/S2	5	10
R900473688	Z2FS 16-8-3X/S2V	5	10
R900470529	Z2FS 16-8-3X/SV	5	10
R900474580	Z2FS 22-3X/SV	5	10
R900443176	Z2FS 22-8-3X/S2	5	10
R900468786	Z2FS 22-8-3X/S2V	5	10
R900481621	Z2FS 6-2-4X/1Q	5	10
R900481623	Z2FS 6-2-4X/1QV	5	10
R900481622	Z2FS 6-2-4X/2Q	5	10
R900481624	Z2FS 6-2-4X/2QV	5	10
R900727967	Z2FS 6-2-4X/2QV/60	5	10

1) "Shipment" defined as – not to exceed the time from receipt of order to Bosch Rexroth Hydraulics to shipment ex-factory (Bosch Rexroth plant location).

GoTo Focused Delivery Program: Flow Control Valves

2-way flow control valves, pressure compensated

2FRM



Pressure compensated flow controls Model 2FRM are two-way restrictive-style flow regulators. They accurately control flow, independent of changes in fluid viscosity or pressure drop across the valve. This valve maintains a constant actuator speed independent of changes in load induced pressure. Sharp edged throttle openings reduce the influence of flow variations from temperature change.

For complete engineering and design information:
GoTo www.boschrexroth-us.com/GoToflow

Features

- Sizes 6, 10, and 16
- For subplate mounting:
 - Size 6: Porting pattern according to ISO 6263-03 and NFPA T3.5.1M R1 2 FO 3
 - Size 10: Porting pattern according to ISO 6263-06-2 and NFPA T3.5.1M R1 2 FO 6
 - Size 16: Porting pattern according to ISO 6263-07-2 and NFPA T3.5.1M R1 2 FO 7
- Manual dial adjustment
- With external closure of the pressure compensator, optional (size 6)
- Check valve, optional (size 6)
- Pressure compensator stroke limitation for reducing start-up jumps, optional (size 10)

Detailed information:

- Size 6: RE28163
- Size 10 & 16: RA28389

Technical Data

Size			6	10	16
Operating pressure ¹⁾	P_{max}	bar (PSI)	315 (4600)	315 (4600)	315 (4600)
Pilot pressure	p_{St}	bar (PSI)	–	315 (4600)	315 (4600)
Flow	$q_{V max}$	l/min (GPM)	32 (8.45)	50 (13.21)	160 (42.27)

Part Number	Description	Max. Quantity	Shipment (Business Days)
R900424887	2FRM 10-3X/10L	5	10
R900423251	2FRM 10-3X/16L	5	10
R900423255	2FRM 10-3X/25L	5	10
R900420286	2FRM 10-3X/50L	5	10
R900423261	2FRM 10-3X/50LB	5	10
R900427776	2FRM 10-3X/50LV	5	10
R900424905	2FRM 16-3X/100L	5	10
R900424906	2FRM 16-3X/160L	5	10
R900424902	2FRM 16-3X/160LB	5	10
R900423271	2FRM 16-3X/60L	5	10
R900205507	2FRM 6 B36-3X/1.5QRV	5	10
R900205509	2FRM 6 B36-3X/10QRV	5	10
R900205510	2FRM 6 B36-3X/16QMV	5	10
R900205511	2FRM 6 B36-3X/16QRV	5	10
R900205513	2FRM 6 B36-3X/25QRV	5	10
R900205517	2FRM 6 B36-3X/3QRV	5	10
R900205519	2FRM 6 B36-3X/6QRV	5	10
R900205528	2FRM 6 B76-3X/6QRV	5	10

1) "Shipment" defined as – not to exceed the time from receipt of order to Bosch Rexroth Hydraulics to shipment ex-factory (Bosch Rexroth plant location).

GoTo Focused Delivery Program: Proportional Valves

Proportional directional valves, direct operated with electrical position feedback

4WRP & 4WRPE (Series 2X)



The 4/2 and 4/3 proportional valves are directly controlled components of subplate mounting design. They are actuated by proportional solenoids with an integrated linear feedback to assure accurate positioning related to a command signal. The valves are available with either external control electronics (model WRP) or by integrated valve electronics (model WRPE).

For complete engineering and design information:
GoTo www.boschrexroth-us.com/GoToProportional

Features

- Sizes 6 and 10
- For subplate mounting:
 - Size 6: Porting pattern according to ISO 4401-3, NFPA T3.5.1M R1, and ANSI B 93.7 D 03
 - Size 10: Porting pattern according to ISO 4401-5, NFPA T3.5.1M R1, and ANSI B93.7 D 05
- Control of the direction and magnitude of a flow
- Actuation through control solenoid
- Position sensing of the control spool via an inductive position transducer
- Series with/without integrated electronics
- Characteristic curves with and without inflection

Detailed information:

- RE29020
- RE29025

Technical Data

Size			6	10
Operating pressure	Ports P, A, B	p_{max} bar (PSI)	315 (4600)	315 (4600)
Flow		$q_{V max}$ l/min (GPM)	40 (10.57)	100 (26.42)
Maximum hysteresis		%	≤0.2	≤0.2
Actuating time	0 to 100 %	ms	12	25
Operating voltage	OBE	U V	24	24
Comm. value signal	OBE	U V	0 to 10/±10	0 to 10/±10
		I mA	4 to 20	4 to 20
Control electronics	Type 4WRP...EA	Card, analog	VT-VRPA1-527...QV	VT-VRPA1-537...QV
	Type 4WRP...E...W	Card, analog	VT-VRPA2-527	VT-VRPA2-537

Part Number	Description	Max. Quantity	Shipment (Business Days)
0811404001	4WRP 10 E63S-1X/G24Z4/M	5	10
0811403001	4WRP 10 EA63S-1X/G24Z4/M	5	10
0811404140	4WRPE 6 E18SJ-2X/G24K0/A1M	5	10
0811404141	4WRPE 6 E32SJ-2X/G24K0/A1M	5	10
0811404142	4WRPE 6 W18SJ-2X/G24K0/A1M	5	10
0811404143	4WRPE 6 W32SJ-2X/G24K0/A1M	5	10

1) "Shipment" defined as – not to exceed the time from receipt of order to Bosch Rexroth Hydraulics to shipment ex-factory (Bosch Rexroth plant location).

GoTo Focused Delivery Program: Proportional Valves

High-response directional valves, direct operated with electrical position feedback

4WRPE (Series 3X)



4WRPE10 Series 3X is high performance, direct operated, proportional valve. It is suitable for demanding open loop and closed loop applications like position, velocity, and pressure control. It is even more robust than the previous design.

For complete engineering and design information:
GoTo www.boschrexroth-us.com/GoToProportional

Features

- Size 10
- Nominal flow at 10 bar drop: 50 to 80 Lpm
- Spool in housing
- Direct operated by onboard electronic solenoids
- Standard 7-pin connector
- Mounts on ISO 4401-3, ANSI B93.8 D03

Detailed information:

- RE29122

Technical Data

Size				10
Operating pressure	Ports P, A, B	p_{\max}	bar (PSI)	350 (5000)
Nominal flow	$\Delta p = 70 \text{ bar (1000 PSI)}$	$q_{V \max}$	l/min (GPM)	50, 80
Maximum hysteresis			%	< 0.25
Response sensitivity			%	< 0.05
Frequency response	Phase response -90°	f	V	45
Operating voltage	OBE	U	V	24
Command value signal	OBE	U	V	± 10
		I	mA	4 to 20
Ambient temperature		T	$^\circ\text{C}$	-20 to +60

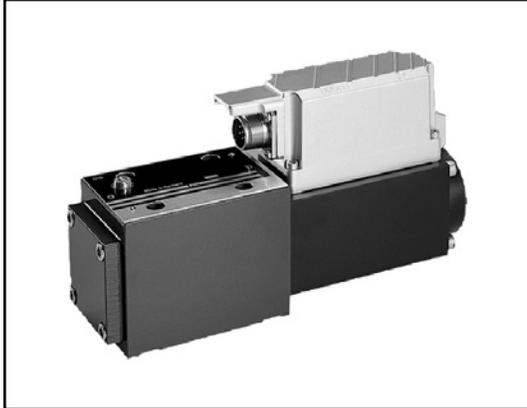
Part Number	Description	Max. Quantity	Shipment (Business Days)
R901396513	4WRPE 10 E50SJ-3X/M/24A1	3	10
R901396516	4WRPE 10 E80SJ-3X/M/24A1	3	10
R901396520	4WRPE 10 EA80SJ-3X/M/24A1	3	10
R901401546	4WRPE 10 V50S-3X/M/24A1	3	10
R901392641	4WRPE 10 V80S-3X/M/24A1	5	10
R901396518	4WRPE 10 W6-50SJ-3X/M/24A1	3	10
R901396519	4WRPE 10 W6-80SJ-3X/M/24A1	3	10

1) "Shipment" defined as – not to exceed the time from receipt of order to Bosch Rexroth Hydraulics to shipment ex-factory (Bosch Rexroth plant location).

GoTo Focused Delivery Program: Proportional Valves

High-response directional valves, direct operated with electrical position feedback

4WRPH & 4WRPEH (Series 2X)



4WRPH and 4WRPEH type proportional directional valves offer fast response, minimal hysteresis, and are excellent performers in closed loop applications. Available with or without on-board electronics, these valves may be used in a variety of applications and environments. The robust design is also applicable to circuits where vibration may be a concern.

For complete engineering and design information:
GoTo www.boschrexroth-us.com/GoToProportional

Features

- Sizes 6 and 10
- For subplate mounting:
 - Size 6: Porting pattern according to ISO 4401-3, NFPA T3.5.1M R1, and ANSI B 93.7 D 03
 - Size 10: Porting pattern according to ISO 4401-5, NFPA T3.5.1M R1, and ANSI B93.7 D 05
- Control of the direction and magnitude of a flow
- Use for position, velocity and pressure control
- Actuation through control solenoid
- Position sensing of the control spool via an inductive position transducer
- Characteristic curves with and without inflection
- Spool and sleeve in servo-type quality
- Integral electronics (OBE) for type 4WRPEH

Detailed information:

- Size 6
Model 4WRPH:
RE29028
- Size 10
Model 4WRPH:
RE29032
Model 4WRPEH:
RE29037

Technical Data

Size			6	10
Operating pressure	p_{\max}	bar (PSI)	315 (4500)	315 (4500)
Nominal flow	$\Delta p = 70 \text{ bar (1000 PSI)}$	$q_{V \text{ nom}}$	l/min (GPM)	2 to 40 (0.5 to 11) / 50 to 100 (13 to 26)
Maximum hysteresis			%	<0.2
Frequency	Phase response: -90°	f	Hz	120 / 60
Operating voltage	OBE	U	V	24
Comm. value signal	OBE	U	V	0 to 10 / ± 10
		I	mA	4 to 20
Control electronics	Type 4WRPH		Card, analog	VT-VVRA1-527 / VT-VVRA1-537

Part Number	Description	Max. Quantity	Shipment (Business Days)
0811404801	4WRPEH 10 C3 B100L-2X/G24K0/A1M	5	10
0811404817	4WRPEH 10 C3 B100L-2X/G24K0/F1M	5	10
0811404800	4WRPEH 10 C3 B50L-2X/G24K0/A1M	5	10
0811404803	4WRPEH 10 C4 B100L-2X/G24K0/A1M	5	10
0811404802	4WRPEH 10 C4 B50L-2X/G24K0/A1M	5	10
0811404061	4WRPH 10 C4 B100L-2X/G24Z4/M	5	10
0811404034	4WRPH 6 C3 B12L-2X/G24Z4/M	5	10
0811404047	4WRPH 6 C3 B15P-2X/G24Z4/M	5	10
0811404035	4WRPH 6 C3 B24L-2X/G24Z4/M	5	10
0811404036	4WRPH 6 C3 B40L-2X/G24Z4/M	5	10
0811404039	4WRPH 6 C4 B40L-2X/G24Z4/M	5	10

1) "Shipment" defined as – not to exceed the time from receipt of order to Bosch Rexroth Hydraulics to shipment ex-factory (Bosch Rexroth plant location).

GoTo Focused Delivery Program: Proportional Valves

High-response directional valves, direct operated with electrical position feedback

4WRPEH (Series 3X)



4WRPEH 6 is a high performance, direct operated, servo-solenoid valve. It is suitable for closed loop applications like position, velocity, and pressure control. It is even more robust than the previous design. Series-3X is not designed for pilot operated applications, 3WRCBH, or 4WRLE.

For complete engineering and design information:
GoTo www.boschrexroth-us.com/GoToProportional

Features

- Size 6
- Nominal flow at 70 bar drop: 4 to 40 Lpm
- Precise sleeve and spool
- Fail-safe position of control spool in off condition
- Direct operated by onboard electronic solenoid
- Standard 7-pin connector
- Mounts on ISO 4401-3, ANSI B93.8 D03

Detailed information:

- RE29121

Technical Data

Size				6
Operating Pressure		p_{max}	bar (PSI)	350 (5000)
Nominal flow	$\Delta p = 70 \text{ bar (1000 PSI)}$	$q_{V \text{ nom}}$	l/min (GPM)	4 to 40 (1.06 to 10.57)
Maximum hysteresis			%	< 0.1
Response sensitivity			%	< 0.05
Frequency response	Phase response: -90°	f	Hz	120
Operating voltage	OBE	U	V	24
Command value signal	OBE	U	V	± 10
		I	mA	4 to 20

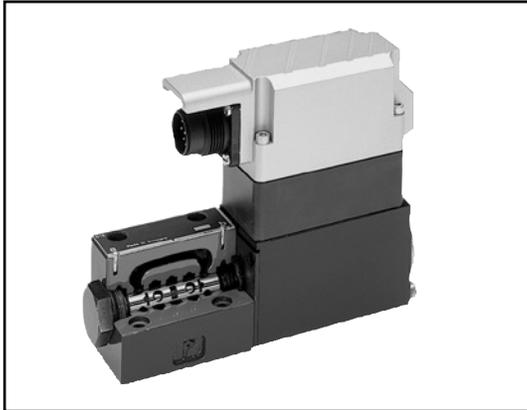
Part Number	Description	Max. Quantity	Shipment (Business Days)
R901382345	4WRPEH 6 C3B04L-3X/M/24A1	5	10
R901382312	4WRPEH 6 C3B12L-3X/M/24A1	5	10
R901382348	4WRPEH 6 C3B12L-3X/M/24F1	5	10
R901382323	4WRPEH 6 C3B15P-3X/M/24A1	5	10
R901382313	4WRPEH 6 C3B24L-3X/M/24A1	5	10
R901382349	4WRPEH 6 C3B24L-3X/M/24F1	5	10
R901382315	4WRPEH 6 C3B40L-3X/M/24A1	5	10
R901382350	4WRPEH 6 C3B40L-3X/M/24F1	5	10
R901382318	4WRPEH 6 C4B12L-3X/M/24A1	5	10
R901382346	4WRPEH 6 C4B24L-3X/M/24A1	5	10
R901382319	4WRPEH 6 C4B40L-3X/M/24A1	5	10
R901382354	4WRPEH 6 CB40L-3X/M/24F1	5	10

1) "Shipment" defined as – not to exceed the time from receipt of order to Bosch Rexroth Hydraulics to shipment ex-factory (Bosch Rexroth plant location).

GoTo Focused Delivery Program: Proportional Valves

High-response directional control valves, direct operated with electrical position feedback and OBE

4WRREH



4WRREH type proportional directional valves offer fast response and minimal hysteresis with control electronics integrated into the valve. In the case of control deviations, the double-stroke solenoid is activated which adjusts the control spool by means of changed solenoid force. For use in electrohydraulic controls in production and test systems.

For complete engineering and design information:
GoTo www.boschrexroth-us.com/GoToProportional

Features

- Size 6
- For subplate mounting
 - Porting pattern according to ISO 4401-03-02-0-05
- Gate valve, directly operated, with steel sleeve
- Actuation through proportional double-stroke solenoid with position control
- Spool and sleeve in servo quality

Detailed information:

- RE29041

Technical Data

Size			6
Operating pressure	p_{\max}	bar (psi)	315 (4500)
Nominal flow	$\Delta p = 70 \text{ bar}$	$q_{v \text{ nom}}$	l/min (GPM)
Maximum hysteresis		%	≤ 0.2
Frequency	Phase response: -90°	f	Hz
Operating voltage	OBE	U	V
Actual value signal	OBE	LVDT	V
		I	mA

Part Number	Description	Max. Quantity	Shipment (Business Days)
0811404720	4WRREH 6 V B 40L -1X/G24K0/B5M	5	10
0811404723	4WRREH 6 V B 8L -1X/G24K0/B5M	5	10

1) "Shipment" defined as – not to exceed the time from receipt of order to Bosch Rexroth Hydraulics to shipment ex-factory (Bosch Rexroth plant location).

GoTo Focused Delivery Program: Proportional Valves

Proportional directional valve, direct operated without electrical feedback

4WRA & 4WRAE



The WRA(E) direct operated proportional valve without integral feedback is available with or without on-board electronics (OBE). Individual valve amplifiers are available for the non-OBE version. Postive overlap spools reduce leakage at center and OBE models can be configured to either a voltage or current command.

For complete engineering and design information:
GoTo www.boschrexroth-us.com/GoToProportional

Features

- Sizes 6 and 10
- For subplate mounting:
 - Size 6: Porting pattern according to ISO 4401-3, NFPA T3.5.1M R1, and ANSI B 93.7 D 03
 - Size 10: Porting pattern according to ISO 4401-5, NFPA T3.5.1M R1, and ANSI B93.7 D 05
- Control of the direction and magnitude of a flow
- Proportional solenoid operation
- Spring-centered control spool
- Different spool overlaps possible
- Integral electronics (OBE) for type 4WRAE

Detailed information:

- RE29055

Technical Data

Size				6	10
Operating pressure	Ports A, B, P	p_{max}	bar (psi)	315 (4600)	315 (4600)
Nominal flow	$\Delta p = 10$ bar (145 PSI)	$q_{V\ nom}$	l/min (GPM)	7, 15, 30 (1.8, 4, 8)	30, 60 (8, 16)
Maximum hysteresis			%	5	5
Step response	0 to 90 %	T_u+T_g	ms	< 40	< 140
Operating voltage	OBE	U	V	24	24
Comm. value signal	OBE	U	V	0 to 10 / ± 10	0 to 10 / ± 10
		I	mA	4 to 20	4 to 20
Control electronics	Type 4WRA	Card, analog		VT-VSPA2-1	
		Card, digital		VT-VSPD-1	
		Module, analog		VT-MSPA2-1	

Part Number	Description	Max. Quantity	Shipment (Business Days)
R900921739	4WRA 10 E30-2X/G24N9K4/V	5	10
R900902097	4WRA 10 E60-2X/G24N9K4/V	5	10
R900907650	4WRA 10 W60-2X/G24N9K4/V	5	10
R900902940	4WRA 6 E30-2X/G24N9K4/V	5	10
R900558356	4WRAE 10 E60-2X/G24N9K31/A1V	5	10
R900900988	4WRAE 10 W60-2X/G24N9K31/A1V	5	10
R900909389	4WRAE 6 E15-2X/G24N9K31/A1V	5	10
R900558355	4WRAE 6 E30-2X/G24N9K31/A1V	5	10
R900900987	4WRAE 6 W30-2X/G24N9K31/A1V	5	10

1) "Shipment" defined as – not to exceed the time from receipt of order to Bosch Rexroth Hydraulics to shipment ex-factory (Bosch Rexroth plant location).

GoTo Focused Delivery Program: Proportional Valves

Proportional directional control valves, direct operated 4WRA(E)B



4WRAB6 type direct operated proportional valves are available with or without on-board electronics (OBE). Suitable for open loop applications, the WRAB6 does not have integral feedback; however, provides proportional flow output dependant on a commanded value. The WRAB6 may also be used with a DC switching signal, if the application requires throttled shifting without full proportional control.

For complete engineering and design information:
GoTo www.boschrexroth-us.com/GoToproportional

Features

- Size 6
- Direct operated proportional directional control valves, which control both the direction and volume of a fluid flow
- Mounts on standard ISO 4401-3, NFPA T3.5.1MR1 D 03 and ANSI B 93.7 D 03 interface
- Two piece solenoid design with removable coils
- Integrated electronics available
- For subplates, see RE45052

Detailed information:

- RA29057

Technical Data

Size			6	
Operating pressure	Ports A, B, P	p_{max}	bar (psi)	350 (5100)
	Port T	p_{max}	bar (psi)	210 (3100)
Maximum flow			l/min (GPM)	30 (8)
Maximum hysteresis			%	3.5
Step response	0 to 100%	$T_u + T_g$	ms	40
Supply voltage		U	vdc	12V ($\pm 10\%$)
Associated electronic amplifier cards (some restrictions apply)				MDSD*

* The MDSD1 or MDSD will operate the 4 WRA B../G12 with 14 to 28 vdc from the power supply. The MDSD can be used with 10 to 14 vdc power, but valve performance may be affected. At higher temperatures, increased solenoid resistance may reduce the available flow. An amplifier is not required when using the 4 WRA B../G12 as a non-proportional (switching) valve at 12 vdc $\pm 10\%$.

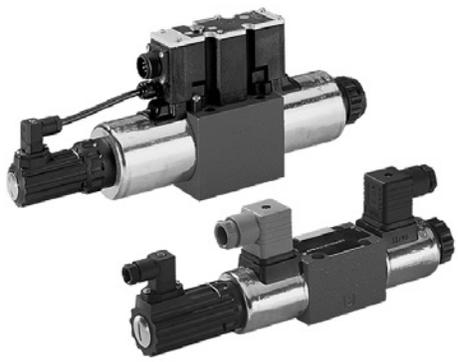
Part Number	Description	Max. Quantity	Shipment (Business Days)
R978916804	4WRAB6E03-1X/G12N9K4/MR	5	10
R978910358	4WRAB6E06-1X/G12N9K4/MR	5	10
R978879705	4WRAB6E12-1X/G12N9K4/MR	5	10
R978898190	4WRAB6E25-1X/G12N9K4/MR	5	10
R978879339	4WRAB6E25-1X/G24N9K4/MR	5	10
R978911432	4WRAB6EA12-1X/G12N9K4/MR	5	10
R978911679	4WRAB6W03-1X/G12N9K4/MR	5	10
R978908145	4WRAB6W12-1X/G12N9DA/MR	5	10
R978891597	4WRAB6W12-1X/G12N9K4/MR	5	10
R978877472	4WRAB6W25-1X/G12N9K4/MR	5	10
R978879310	4WRAEB6E12-1X/G24N9DK26/MR	5	10
R978878558	4WRAEB6E25-1X/G24N9DK26/MR	5	10
R978890224	4WRAEB6EA25-1X/G24N9DK26/MR	5	10
R978878559	4WRAEB6W25-1X/G24N9DK26/MR	5	10
R978879793	4WRAEB6WA25-1X/G24N9DK26/MR	5	10

1) "Shipment" defined as – not to exceed the time from receipt of order to Bosch Rexroth Hydraulics to shipment ex-factory (Bosch Rexroth plant location).

GoTo Focused Delivery Program: Proportional Valves

Proportional directional valve, direct operated with electrical position feedback

4WREE



WRE(E) direct operated proportional directional control with integral feedback are available with on-board electronics (OBE). Positive overlap spools reduce leakage at center, while underlap spools can be utilized for closed-loop functions. Individual amplifiers are available, while OBE models are possible with either a voltage or current command.

For complete engineering and design information:
GoTo www.boschrexroth-us.com/GoToProportional

Features

- Sizes 6 to 10
- For mounting:
 - Size 6: Porting pattern according to ISO 4401-3, NFPA T3.5.1M R1, and ANSI B 93.7 D 03
 - Size 10: Porting pattern according to ISO 4401-5, NFPA T3.5.1M R1, and ANSI B93.7 D 05
- Control of the direction and magnitude of a flow
- Proportional solenoid operation
- Spring-centered control spool
- Different spool overlaps possible
- Integrated control electronics (OBE) for type 4WREE

Detailed information:

- RE29061

Technical Data

Size				6	10
Operating pressure	Ports A, B, P	p_{max}	bar (psi)	315 (4600)	315 (4600)
Nominal flow	$\Delta p = 10 \text{ bar (145 PSI)}$	$q_{v \text{ nom}}$	l/min (GPM)	8, 16, 32 (2.1, 4.2, 8.5)	25, 50, 75 (6.6, 13.2, 19.8)
Maximum hysteresis			%	0.1	0.1
Step response	0 to 90%	$T_u + T_g$	ms	20	40
Operating voltage		U	V	24	24
Comm. value signal (alternative)	Type 4WREE	U	V	± 10	± 10
		I	mA	4 to 20	4 to 20

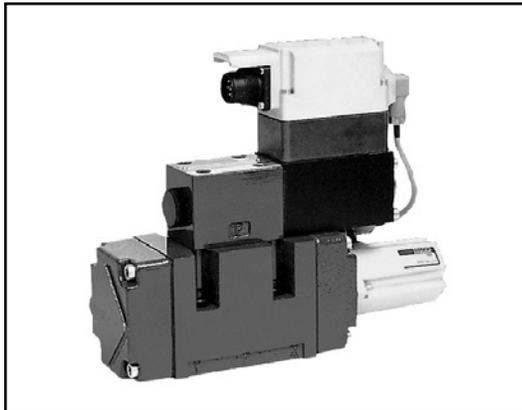
Part Number	Description	Max. Quantity	Shipment (Business Days)
R900954092	4WRE 6 E16-2X/G24K4/V	5	10
R900927232	4WREE 10 E1-75-2X/G24K31/A1V	5	10
R900927231	4WREE 10 E50-2X/G24K31/A1V	5	10
R900927230	4WREE 10 E75-2X/G24K31/A1V	5	10
R900927235	4WREE 10 V50-2X/G24K31/A1V	5	10
R900924607	4WREE 10 V75-2X/G24K31/A1V	5	10
R900927234	4WREE 10 W1-75-2X/G24K31/A1V	5	10
R900931371	4WREE 10 W50-2X/G24K31/A1V	5	10
R900927233	4WREE 10 W75-2X/G24K31/A1V	5	10
R900912156	4WREE 6 E08-2X/G24K31/A1V	5	10
R900920567	4WREE 6 E16-2X/G24K31/A1V	5	10
R900907114	4WREE 6 E32-2X/G24K31/A1V	5	10
R900925733	4WREE 6 E32-2X/G24K31/F1V	5	10
R900913433	4WREE 6 EA16-2X/G24K31/A1V	5	10
R900909367	4WREE 6 V08-2X/G24K31/A1V	5	10
R900931195	4WREE 6 V1-16-2X/G24K31/A1V	5	10
R900907440	4WREE 6 V16-2X/G24K31/A1V	5	10
R900911681	4WREE 6 V32-2X/G24K31/A1V	5	10
R900926747	4WREE 6 V32-2X/G24K31/F1V	5	10
R900923000	4WREE 6 W08-2X/G24K31/A1V	5	10
R900925657	4WREE 6 W16-2X/G24K31/A1V	5	10
R900911004	4WREE 6 W32-2X/G24K31/A1V	5	10

1) "Shipment" defined as – not to exceed the time from receipt of order to Bosch Rexroth Hydraulics to shipment ex-factory (Bosch Rexroth plant location).

GoTo Focused Delivery Program: Proportional Valves

High-response directional valves, pilot operated with electrical position feedback

4WRVE



Pilot operated proportional directional valve type 4WRVE offers integral position feedback on both pilot and mainstage for dynamic response plus greater accuracy. On-board electronics (OBE) and 12-pin connectors permit power and command all to be accomplished on the valve. Underlapped main spools and high performance pilot permit the WRVE to be an excellent candidate into applications requiring closed loop control of pressure, force, and velocity.

For complete engineering and design information:
GoTo www.boschrexroth-us.com/GoToproportional

Features

- Sizes 16
- Porting pattern according to ISO 4401-7, NFPA T3.5.1M R1, and ANSI B93.7 D 07
- Control of the direction and magnitude of a flow
- Proportional solenoid operation
- Integrated control electronics (OBE)

Detailed information:

- RE29077

Technical Data

Size				16
Operating pressure		p_{max}	bar (PSI)	350 (5100)
Nominal flow	$\Delta p = 10 \text{ bar}$	$q_{V \text{ nom}}$	l/min (GPM)	120, 200 (32, 53)
Maximum hysteresis			%	0.1
Frequency	Phase response -90°	f	Hz	100
Operating voltage	OBE	U	V	24
Comm. value signal	OBE	U	V	± 10

Part Number	Description	Max. Quantity	Shipment (Business Days)
0811404690	4WRVE 10 V55M-2X/G24K0/B5M	5	10
0811404691	4WRVE 10 V85M-2X/G24K0/B5M	5	10
0811404291	4WRVE 16 V200M-2X/G24K0/B5M	3	10
0811404445	4WRVE 25 V370M-2X/G24K0/B5M	5	10

1) "Shipment" defined as – not to exceed the time from receipt of order to Bosch Rexroth Hydraulics to shipment ex-factory (Bosch Rexroth plant location).

GoTo Focused Delivery Program: Proportional Valves

High-response proportional directional valves, pilot operated

4WRKE



The 4WRKE is a pilot operated proportional directional valve with position feedback on the main stage. The onboard electronics (OBE) has a standard 7-pin connector for command, spool feedback, and 24V power. Overlapped spools have a spring centered fail-safe position. 4WRKE is normally used for open loop applications where higher repeatability is more important, also for lift, transfer, or clamping applications.

For complete engineering and design information:
GoTo www.boschrexroth-us.com/GoToProportional

Features

- Size 25
- Porting pattern to ISO 4401-8; NFPA T3.5.1M R1; ANSI B93.7 D09
- Controls direction and magnitude of flow by analog command
- Spool position feedback on main stage for low hysteresis
- Overlapped spool
- Integrated amplifier

Detailed information:

- RE29075

Technical Data

Size		25
Nominal Flow @10 bar delta-p	l/min	350
Maximum Flow @10 bar delta-p	l/min	870
Operating pressure P, A, B	bar	350
Operating pressure T (pilot drain internal)	bar	≤ 10
Hysteresis	%	≤ 1
Command value (A1 electronics)	VDC	±10

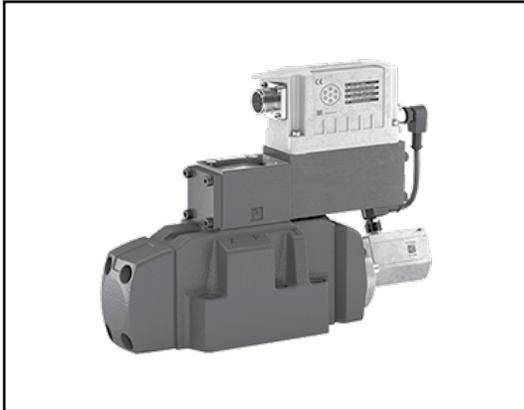
Part Number	Description	Max. Quantity	Shipment (Business Days)
R900249554	4WRKE 25 W8-350L-3X/6EG24K31/A1D3M	3	10

1) "Shipment" defined as – not to exceed the time from receipt of order to Bosch Rexroth Hydraulics to shipment ex-factory (Bosch Rexroth plant location).

GoTo Focused Delivery Program: Proportional Valves

High-response directional valves, pilot operated with electrical position feedback

4WRLE Series 4X



Pilot operated, proportional directional valves type 4WRLE are high response control valves with spool position feedback. The series-4X has a new onboard electronics OBE that improves performance and reliability. It has an increased temperature range, and it's even more robust to mechanical shock and vibration. The optimized spool and housing allow higher nominal flow ratings in all sizes. The improved dynamic response is well suited for a wide range of demanding closed loop applications, involving pressure, force, position, and velocity control.

For complete engineering and design information:
GoTo www.boschrexroth-us.com/GoToproportional

Features

- Size 10 to 25
- Higher nominal flows per size, 60 to 400 Lpm
- Maximum pressure to 350 bar
- Improved dynamic performance and stability
- Even more robust onboard electronics
- Porting pattern according to ISO 4401-05, 07, 08

Detailed information:

- RE29123

Technical Data

Size				10	16	25
Nominal flow	$\Delta p = 10 \text{ bar (145 psi)}$	$q_{v \text{ nom}}$	l/min (GPM)	60, 100 (16, 26)	150, 250 (40, 66)	400 (106)
Maximum flow		$q_{v \text{ max}}$	l/min (GPM)	300 (79)	800 (211)	1250 (330)
Phase response @ -90°	(signal $\pm 100\%$ to $\pm 1\%$)	f	Hz	28 to 65	26 to 62	22 to 60
Max. Operating Pressure		p_{max}	bar (psi)	350 (5000)		
Hysteresis			%	< 0.1		

Part Number	Description	Max. Quantity	Shipment (Business Days)
R901477667	4WRLE 10 V100L-4X/MPT/24A1	3	10
R901183919	4WRLE 10 V100L-4X/MXY/24A1	3	10
R901472162	4WRLE 10 V60L-4X/MPT/24A1	3	10
R901192880	4WRLE 10 V60L-4X/MXY/24A1	3	10
R901467306	4WRLE 16 V1-150L-4X/MPT/24A1	3	10
R901473285	4WRLE 16 V1-250L-4X/MPT/24A1	3	10
R901405523	4WRLE 16 V150L-4X/MPT/24A1	3	10
R901157861	4WRLE 16 V150L-4X/MXY/24A1	3	10
R901404432	4WRLE 16 V250L-4X/MPT/24A1	3	10
R901404331	4WRLE 16 V250L-4X/MXY/24A1	3	10
R901478128	4WRLE 25 V400L-4X/MPT/24A1	3	10
R901404337	4WRLE 25 V400L-4X/MXY/24A1	3	10

1) "Shipment" defined as – not to exceed the time from receipt of order to Bosch Rexroth Hydraulics to shipment ex-factory (Bosch Rexroth plant location).

GoTo Focused Delivery Program: Proportional Valves

High-response directional valves, pilot operated with electrical position feedback

4WRLE Series 3X



Pilot operated proportional directional valve type 4WRLE offers integral position greater feedback on both pilot and mainstage for dynamic response plus greater accuracy. On-board electronics (OBE) and 7-pin connectors permit power and command all to be accomplished on the valve. Overlapped main spools and high-performance pilot permit application into various circuits including those requiring closed-loop control of pressure, force, or velocity.

For complete engineering and design information:
GoTo www.boschrexroth-us.com/GoToProportional

Features

- Sizes 10, 16, and 25
- Porting pattern according to ISO 4401-5, 7, 8; NFPA T3.5.1M R1; and ANSI B93.7 D 05, D 07, D 08
- Control of the direction and magnitude of a flow
- Use for force control, position control, velocity control and pressure control purposes
- Pilot control valve and main stage are position-controlled
- Characteristic curves with and without inflection
- Integral electronics (OBE) for type 4WRLE

Detailed information:

- RE29088
- RE29089

Technical Data

Size				10	16	25
Operating pressure	p_{max}	bar (PSI)		350 (5100)	350 (5100)	350 (5100)
Nominal flow	$\Delta p = 10 \text{ bar (145 PSI)}$	$q_{V \text{ nom}}$	l/min (GPM)	55, 80 (14.5, 21)	120, 200 (32, 53)	370 (98)
Maximum hysteresis			%	0.1	0.1	0.1
Frequency	Phase response -90°	f	Hz	45	45	50
Operating voltage	OBE	U	V	24	24	24
Comm. value signal	OBE	U	V	± 10	± 10	± 10
		I	mA	4 to 20	4 to 20	4 to 20

Part Number	Description	Max. Quantity	Shipment (Business Days)
0811404715	4WRLE 10 E1-80SJ-3X/G24ETK0/A1M	5	10
0811404701	4WRLE 10 E1-80SJ-3X/G24K0/A1M	5	10
0811404713	4WRLE 10 E80SJ-3X/G24ETK0/A1M	3	10
0811404700	4WRLE 10 E80SJ-3X/G24K0/A1M	5	10
0811404673	4WRLE 10 V1-85M-3X/G24ETK0/A1M	5	10
0811404653	4WRLE 10 V85M-3X/G24K0/A1M	5	10
0811404711	4WRLE 10 W4-80SJ-3X/G24K0/A1M	5	10
0811404707	4WRLE 10 W80SJ-3X/G24ETK0/A1M	3	10
0811404306	4WRLE 16 E1Z180SJ-3X/G24K0/A1M	5	10
0811404319	4WRLE 16 EZ180SJ-3X/G24ETK0/A1M	3	10
0811404305	4WRLE 16 EZ180SJ-3X/G24K0/A1M	3	10
0811404270	4WRLE 16 Q4-200M-3X/G24ETK0/A1M	5	10
0811404276	4WRLE 16 Q4-200M-3X/G24K0/A1M	5	10
R901102544	4WRLE 16 W1-180SJ-3X/G24K0/A1M	5	10
0811404273	4WRLE 16 W1-200M-3X/G24EK0/A1WX02M-779	5	10
0811404308	4WRLE 16 W1Z180SJ-3X/G24K0/A1M	5	10
0811404328	4WRLE 16 W4Z180SJ-3X/G24ETK0/A1M	5	10
0811404320	4WRLE 16 W5-180SJ-3X/G24K0/A1M	5	10
0811404307	4WRLE 16 WZ180SJ-3X/G24K0/A1M	3	10
0811404481	4WRLE 25 EZ350SJ-3X/G24ETK0/A1M	3	10
0811404454	4WRLE 25 EZ350SJ-3X/G24K0/A1M	3	10
0811404457	4WRLE 25 W1Z350SJ-3X/G24K0/A1M	5	10
0811404472	4WRLE 25 W4Z350SJ-3X/G24K0/A1M	5	10
0811404456	4WRLE 25 WZ350SJ-3X/G24K0/A1M	3	10
0811404435	4WRLE 25 X370M-3X/G24EK0/A1M-812	5	10
0811404434	4WRLE 25 X370M-3X/G24ETK0/A1M-812	5	10
0811404438	4WRLE 27 Q4-430M-3X/G24ETK0/A1M	3	10
0811404442	4WRLE 27 Q4-430M-3X/G24TK0/A1M	5	10

1) "Shipment" defined as – not to exceed the time from receipt of order to Bosch Rexroth Hydraulics to shipment ex-factory (Bosch Rexroth plant location).

GoTo Focused Delivery Program: Proportional Valves

4/3 directional high-response control valves, direct operated, with integrated control electronics (OBE) 4WRSE

	<p>These 4/3 directional high-response valves are direct operated components. They are actuated by control solenoids. The solenoids are controlled by integrated control electronics (OBE).</p> <p>For complete engineering and design information: GoTo www.boschrexroth-us.com/GoToProportional</p>
---	---

Features

- Sizes 10
- Direct operated directional high-response control valve with integrated control electronics (OBE) for controlling the direction and magnitude of flow
- Suitable for position and velocity control
- Porting pattern to DIN 24340 form A and ISO 4401

Detailed information:
• RE29067

Technical Data

Size			10
Operating pressure	Ports P, A, B	bar (psi)	up to 315 (4600)
	Port T	bar (psi)	up to 315 (4600)
Max. permissible flow	$q_{V\ nom} \pm 10\%$ at $\Delta p = 10\ bar$	l/min (GPM)	75 (19.8)
Hysteresis		%	≤ 0.05

Part Number	Description	Max. Quantity	Shipment (Business Days)
R900579286	4WRSE 10 V80-3X/G24K0/A1V	5	10

1) "Shipment" defined as – not to exceed the time from receipt of order to Bosch Rexroth Hydraulics to shipment ex-factory (Bosch Rexroth plant location).

GoTo Focused Delivery Program: Proportional Valves

4/2, 4/3 proportional directional valves, pilot operated, without electrical position feedback

4WRZE



Valves of type 4WRZE are pilot operated 4-way directional valves with operation by proportional solenoids. They control the direction and magnitude of flow.

For complete engineering and design information:
GoTo www.boschrexroth-us.com/GoToProportional

Features

- Sizes 16
- Pilot operated 2-stage proportional directional valves with integrated electronics (OBE)
- Control the direction and magnitude of flow
- Manual override
- Spring-centered control spool

Detailed information:

- RE29115

Technical Data

Size	16	
Operating pressure	bar (psi)	up to 350 (5100)
Return flow pressure	– Port T (Port R) (external pilot oil drain)	bar (psi) up to 250 (3600)
	– Port T (internal pilot oil drain)	bar (psi) up to 30 (1300)
	– Port Y	bar (psi) up to 30 (1300)
Flow of the main valve	l/min (GPM)	up to 460 (121.5)

Part Number	Description	Max. Quantity	Shipment (Business Days)
R900947411	4WRZ 16 E150-7X/6EG24N9EK4/D3V	5	10
R900944363	4WRZ 16 E150-7X/6EG24N9ETK4/D3V	3	10
R900945912	4WRZ 25 W8-325-7X/6EG24N9ETK4/D3V	5	10
R900952143	4WRZE 10 W6-50-7X/6EG24N9ETK31/F1D3V	5	10
R900932993	4WRZE 10 W6-85-7X/6EG24N9ETK31/A1D3V	5	10
R900945995	4WRZE 16 E150-7X/6EG24N9ETK31/A1V	3	10
R900953095	4WRZE 25 E220-7X/6EG24N9ETK31/A1D3V	5	10
R900940842	4WRZE 25 W6-325-7X/6EG24N9ETK31/A1V	5	10

1) "Shipment" defined as – not to exceed the time from receipt of order to Bosch Rexroth Hydraulics to shipment ex-factory (Bosch Rexroth plant location).

GoTo Focused Delivery Program: Proportional Valves

5/3 high-response directional valves, direct operated, with integrated control electronics (OBE) 5WRPE



The 5WRPE 5/3 high-response directional control valve is a directly operated component. The valve is actuated by control solenoids with integral position feedback and on-board electronics. Electronics are factory-calibrated.

For complete engineering and design information:
GoTo www.boschrexroth-us.com/GoToProportional

Features

- Size 10
- Directly operated servo solenoid valve, with 5/3-way symbol in servo quality
- Actuated on one side, A-T fail-safe position when switched off
- Suitable for electrohydraulic controllers in production and testing systems
- Mounts on standard ISO 4401-5, NFPA T3.5.1MR1 and ANSI B93.7 D 05 interface

Detailed information:
• RE29045

Technical Data

Size				10
Operating pressure	Port P, A, B	bar (psi)		210 (3045)
	Port T	bar (psi)		50 (725)
Max permissible flow	$\Delta p = 11 \text{ bar}$	$q_{V \text{ nom}}$	l/min (GPM)	70 (18.49)
Maximum hysteresis			%	≤ 0.3

Part Number	Description	Max. Quantity	Shipment (Business Days)
0811402107	5WRPE 10 F1B 70L -2X/G24K0/A1M	5	10

1) "Shipment" defined as – not to exceed the time from receipt of order to Bosch Rexroth Hydraulics to shipment ex-factory (Bosch Rexroth plant location).

GoTo Focused Delivery Program: Proportional Valves

Proportional DIN throttle valve

2WFCE Series 1X



2WFCE is a DIN cavity proportional throttle valve with Onboard electronics OBE. Maximum flow increased in all sizes. Maximum pressure is 420 bar. Response and stability improved, when compared to FESXE.

2WFCE model A1 (10 vdc) can easily replace most FESXE (7-pin connector). FEE and FESE use 12-pin connectors. See data sheet RE26871 regarding wiring changes or 12-pin connector options.

For complete engineering and design information:
GoTo www.boschrexroth-us.com/GoToProportional

Features

- Size 16 to 50
- Nominal flow 1500 lpm @ 5 bar Δp
- Pilot operated
- 420 bar
- Improved performance and stability
- Bi-directional flow (x port to inlet)

Detailed information:

- RE26871

Technical Data

Size				16	25	32	40	50
Nominal flow	$\Delta p = 5 \text{ bar (73 psi)}$	$q_{v \text{ nom}}$	l/min (gpm)	160 (42)	330 (87)	650 (172)	940 (248)	1500 (396)
Flow	$\Delta p = 20 \text{ bar (290 psi)}$	$q_{v \text{ max}}$	l/min (gpm)	320 (85)	620 (164)	1270 (336)	1850 (489)	see curve
Phase response @ -90°	approx.	f	Hz	10	12	10	11	6.5
Max. Operating Pressure		p_{max}	bar (psi)	420 (6090)				
Hysteresis			%	< 0.2				
Response Sensitivity			%	< 0.1				

Part Number	Description	Max. Quantity	Shipment (Business Days)
R901436207	2WFCE 16 S160L-1X/M/24A1	3	10
R901436213	2WFCE 25 S330L-1X/M/24A1	3	10
R901436312	2WFCE 32 S650L-1X/M/24A1	3	10
R901436317	2WFCE 40 S940L-1X/M/24A1	3	10
R901436321	2WFCE 50 S1500L-1X/M/24A1	3	10

1) "Shipment" defined as – not to exceed the time from receipt of order to Bosch Rexroth Hydraulics to shipment ex-factory (Bosch Rexroth plant location).

GoTo Focused Delivery Program: Proportional Valves

Proportional cartridge throttle valve, with inductive position transducer

FESX

	<p>Model FESX proportional throttle valves are pilot operated and in “cartridge” design. This results in their compact form despite high flow rates. The electronics, which take the form of an external valve amplifier in Europe card format, trigger the solenoid of the pilot valve and thus control the position of the main stage. Hysteresis is <math><0/2\%</math> and a position accuracy of >math>>0.5\%</math> is achieved.</p> <p>For complete engineering and design information: GoTo www.boschrexroth-us.com/GoToProportional</p>
---	--

Features

- Sizes 16...50
- Pilot operated throttle valves with inductive position transducer
- Design: cartridge type DIN 24342, ISO/DIS 7368, control oil external X and Y
- Adjustable via the position-controlled main stage by means of the position transducer and the external valve electronics
- Hysteresis <math>< 0.2\%</math>, positioning accuracy <math>< 0.5\%</math>

Detailed information:
• RE29215

Technical Data

Size	16	25	32	40	50
Pressure fluid	Hydraulic oil to DIN 51524...535				
Pressure fluid temperature range °C (°F)	-20 to +80 (-4 to +176)				
Maximum permitted degree of contamination of pressure fluid – Purity class to ISO 4406 (c)	Class 18/16/13				
Max. operating pressure	Ports A, B, X bar (psi)	315 (4600)			
	Port Y bar (psi)	100 (1450)			
Nominal flow rate at $\Delta p = 5$ bar (72.5 PSI) per edge	125 (33)	210 (55.5)	320 (84.5)	500 (132.1)	980 (258.9)
Weight	2.8 (6.2)	3.9 (8.6)	5.1 (11.2)	7.1 (15.7)	9.7 (21.4)
Q_{max}	350 (92.5)	600 (158.5)	1000 (264.2)	1500 (396.3)	3000 (792.5)

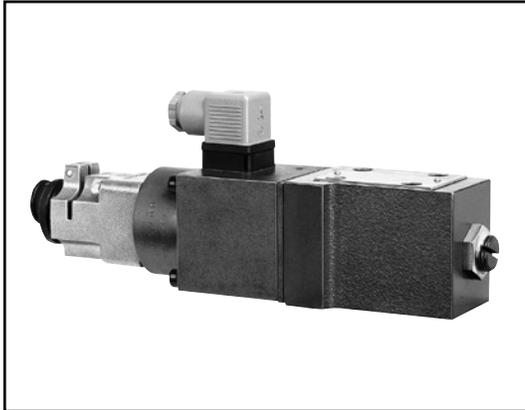
Part Number	Description	Max. Quantity	Shipment (Business Days)
0811402452	FESX 16CA-1X/125LZ4M	5	10
0811402515	FESX 25CA-1X/210LZ4M	5	10
0811402614	FESX 32CA-1X/320LZ4M	5	10
0811402620	FESX 40CA-1X/500LZ4M	5	10
0811402633	FESX 50CA-1X/980LZ4M	5	10

1) “Shipment” defined as – not to exceed the time from receipt of order to Bosch Rexroth Hydraulics to shipment ex-factory (Bosch Rexroth plant location).

GoTo Focused Delivery Program: Proportional Valves

Proportional pressure relief valves with position feedback (LvdT AC/AC)

DBETBX



DBETBEX proportional pressure relief valves limit pressure for piloting applications requiring high performance. Pressure is directly controlled by changing the proportional solenoid position.

For complete engineering and design information:
GoTo www.boschrexroth-us.com/GoToProportional

Features

- Size 6
- Directly operated valves with position feedback for limiting system pressure
- Adjustable through the position of the armature against the compression spring
- Position-controlled at a high magnetic force, minimal hysteresis <0.3%
- Pressure limitation to a safe level even with faulty electronics (solenoid current $I > I_{max}$)
- For subplate attachment, mounting hole configuration to ISO 4401-03-02-0-94

Detailed information:

- RE29150

Technical Data

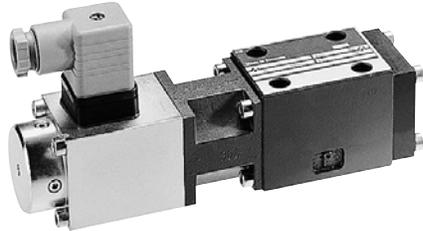
Size			6
Maximum set pressure (at $Q = 1 \text{ l/min [0.26 GPM]}$)	bar (psi)		180 (2600)
Minimum pressure (at $Q = 1 \text{ l/min [0.26 GPM]}$)	bar (psi)		4 (58)
			Note: At $Q_{max} = 3 \text{ l/min (GPM)}$ the pressure levels stated here increase
Maximum working pressure (at $Q = 1 \text{ l/min [0.26 GPM]}$)	Port P	bar (psi)	315 (4600)
Maximum pressure	Port T	bar (psi)	≤ 2 (29)
Maximum solenoid current		I_{max}	3.7
Coil resistance R_{20}		Ω	2.5
Hysteresis		%	≤ 0.3

Part Number	Description	Max. Quantity	Shipment (Business Days)
0811402003	DBETBX-1X/180G24-37Z4M	5	10

1) "Shipment" defined as – not to exceed the time from receipt of order to Bosch Rexroth Hydraulics to shipment ex-factory (Bosch Rexroth plant location).

GoTo Focused Delivery Program: Proportional Valves

Proportional pressure relief valve, pilot operated DBE6X

	<p>Type DBE6X proportional pressure relief valves are pilot operated pressure relief valves. The valves are actuated by means of a proportional solenoid. With these valves, the system pressure that needs to be limited can be infinitely adjusted in relation to the solenoid current.</p> <p>For complete engineering and design information: GoTo www.boschrexroth-us.com/GoToProportional</p>
---	---

Features

- Size 6
- Pilot operated valves (pilot valves) for limiting system pressure (pilot oil internal only)
- Adjustable by means of the solenoid current
- Solenoid versions $I_{max} = 0.8\text{ A}$
- Pressure limitation to a safe level even with faulty electronics (solenoid current $I > I_{max}$)
- For subplate attachment, mounting hole configuration to ISO 4401-03-02-0-94

Detailed information:
• RE29156

Technical Data

Size			6
Maximum set pressure (at $Q = 1\text{ l/min [0.26 GPM]}$)	bar (psi)		315 (4600)
Minimum pressure (at $Q = 1\text{ l/min [0.26 GPM]}$)	bar (psi)		10 (145)
Maximum working pressure	Port P	bar (psi)	315 (4600)
Maximum pressure	Port T	bar (psi)	250 (3600)
Maximum flow		l/min (GPM)	40 (10.6)
Valve with solenoid type			0.8 A
Maximum solenoid current		I_{max}	0.8 A
Coil resistance R_{20}		Ω	22
Hysteresis		%	≤ 4

Part Number	Description	Max. Quantity	Shipment (Business Days)
0811402043	DBE 6X-1X/315G24-8NZ4M	5	10

1) "Shipment" defined as – not to exceed the time from receipt of order to Bosch Rexroth Hydraulics to shipment ex-factory (Bosch Rexroth plant location).

GoTo Focused Delivery Program: Proportional Valves

Proportional pressure relief valve, pilot operated DBEE6



The pilot operated proportional pressure relief valves of the type DBEE are operated by means of a proportional solenoid. These valves are used to limit a system pressure. With these valves it is possible to steplessly adjust the system pressure to be limited depending on the electrical command value.

For complete engineering and design information:
GoTo www.boschrexroth-us.com/GoToProportional

Features

- Size 6
- Pilot operated valve for limiting a system pressure
- Operation by means of proportional solenoids
- Proportional solenoid with rotatable and detachable coil
- For subplate mounting
- Porting pattern according to ISO 4401-03-02-0-05 and DIN 24340

Detailed information:

- RE29258

Technical Data

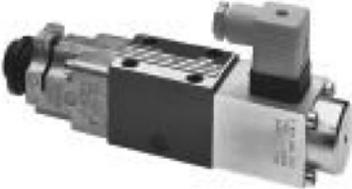
Size		6	
Maximum operating pressure	Port P; P1 – P2; A1 – A2; B1 – B2	bar (psi)	350 (5100)
	Port T	bar (psi)	50 (725)
Maximum setting pressure	Pressure rating 315 bar	bar (psi)	315 (4600)
Maximum flow		l/min (GPM)	30 (7.9)
Hysteresis		%	±3 of the maximum setting pressure
Repeatability		%	< ±2 of the maximum setting pressure
Supply voltage	Nominal voltage	VDC	24
Inputs	Voltage	V	0 to 10

Part Number	Description	Max. Quantity	Shipment (Business Days)
R901323940	DBEE 6-2X/315G24K31A1M	5	10

1) "Shipment" defined as – not to exceed the time from receipt of order to Bosch Rexroth Hydraulics to shipment ex-factory (Bosch Rexroth plant location).

GoTo Focused Delivery Program: Proportional Valves

Proportional pressure relief valves, with linear curve (LvdT AC/AC) DBETFX

	<p>DBETFX proportional pressure relief valves are direct operated valves with position feedback for limiting system pressure. The position of the valve cone is measured by the LvdT AC/AC position transducer, and the position of the cone-solenoid position is controlled by external trigger electronics, resulting in a linear curve.</p> <p>For complete engineering and design information: GoTo www.boschrexroth-us.com/GoToProportional</p>
---	--

Features

- Size 6
- Directly operated valves with position feedback for limiting system pressure
- Adjustable through the set position of the cone against main spring
- Position-controlled, linear curve with minimal hysteresis
- Pressure limitation to a safe level even with faulty electronics
- For subplate attachment, mounting hole configuration to ISO 4401-03-02-0-94

Detailed information:

- RE29152

Technical Data

Size	6	
Maximum set pressure (at $\Omega = 1$ l/min [0.26 GPM])	bar (psi)	250 (3600)
Minimum pressure (at $\Omega = 1$ l/min [0.26 GPM])	bar (psi)	5 (72.5)
Maximum working pressure (at $\Omega = 1$ l/min [0.26 GPM])	Port P bar (psi)	315 (4600)
Maximum pressure	Port T bar (psi)	200 (2900)
Maximum solenoid current	I_{max}	2.7
Coil resistance	Ω	3
Hysteresis	%	≤ 1

Part Number	Description	Max. Quantity	Shipment (Business Days)
0811402021	DBETFX-1X/250G24-27NZ4M	5	10

1) "Shipment" defined as – not to exceed the time from receipt of order to Bosch Rexroth Hydraulics to shipment ex-factory (Bosch Rexroth plant location).

GoTo Focused Delivery Program: Proportional Valves

Proportional pressure relief valve DBETX



DBETX proportional pressure relief valves limit pressure for pilot-ing applications. Pressure is limited by changing current to the proportional solenoid from an external amplifier.

For complete engineering and design information:
GoTo www.boschrexroth-us.com/GoToProportional

Features

- Size 6
- Porting pattern according to ISO 4401-3, NFPA T3.5.1M R, and ANSI B93.7 D 03
- Directly operated valves (pilot valves) for limiting system pressure
- Adjustable by means of the solenoid current
- Solenoid versions $I_{max} = 0.8 \text{ A}$ or $I_{max} = 2.5 \text{ A}$
- Pressure limitation to a safe level even with faulty electronics (solenoid current $I > I_{max}$)

Detailed information:

- RE29161

Technical Data

Size				6
Type				DBETX
Operating pressure	Port P	p_{max}	bar (psi)	315 (4600)
	Port T	p_{max}	bar (psi)	250 (3600)
Flow		qV_{max}	l/min (GPM)	1 (0.26)
Maximum hysteresis			%	≤ 4
Control electronics	Plug			VT-SSPA1-525 VT-SSPA1-508
	Module			VT-MSPA1-525 VT-MSPA1-508
	Card			VT-VSPA1-525 VT-VSPA1-508

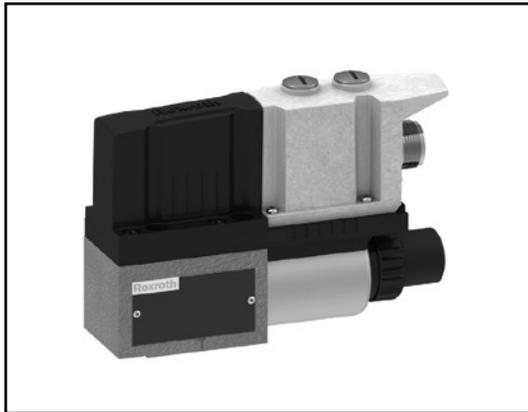
Part Number	Description	Max. Quantity	Shipment (Business Days)
0811402031	DBETX-1X/180G24-25NZ4M	5	10
0811402017	DBETX-1X/180G24-8NZ4M	5	10
0811402019	DBETX-1X/250G24-8NZ4M	5	10
0811402032	DBETX-1X/315G24-25NZ4M	5	10
0811402016	DBETX-1X/315G24-8NZ4M	5	10

1) "Shipment" defined as – not to exceed the time from receipt of order to Bosch Rexroth Hydraulics to shipment ex-factory (Bosch Rexroth plant location).

GoTo Focused Delivery Program: Proportional Valves

Proportional pressure relief valve

DBETA



DBETA proportional pressure relief valves are for high performance applications up to 5 Lpm. Combine DBETA with logic valves (like LC + LFA..DB) for high flow pressure circuits. Pilot remote pressure control on axial piston pumps (DRG control A4V, A10V, A15V).

The integral pressure transducer is factory calibrated to on-board electronics with a standard 7-pin analog interface. DBETA is a closed loop pressure design for outstanding linearity and accuracy, even while fluid viscosity and flows change. Sensor fault detection switches valve to a 0v condition. Simple installation, no user software or bus.

For complete engineering and design information:
GoTo www.boschrexroth-us.com/GoToProportional

Features

- Size 6
- Nominal Pressure 200, 350 Bar
- Maximum Flow 5 Lpm
- Integral pressure sensor, controller, and amplifier

Detailed information:

- RE29262

Technical Data

Nominal Rated Pressure		200	350
Maximum pressure	bar	500	
Maximum flow	l/min	5	
Hysteresis	% *	< 1 nom p	
Response sensitivity	% *	< 0.25 nom p	
Linearity	% *	± 1 nom p	
Step response (0.8 Lpm 20 cm ³)	10% – 90%	ms	165
	90% – 10%	ms	88
Supply voltage	VDC	24	
Input command	Voltage	V	0 to 10
	Current	mA	4 to 20

(* flow > 0.2 Lpm and command > 10%)

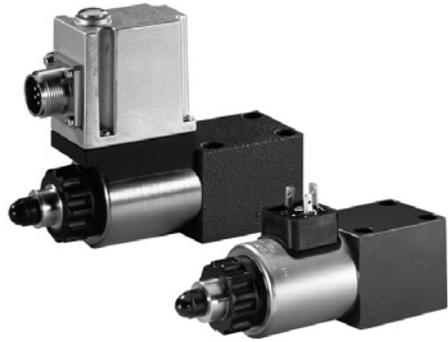
Part Number	Description	Max. Quantity	Shipment (Business Days)
R901338404	DBETA-6X/P200G24K31A1V	5	10
R901347334	DBETA-6X/P200G24K31F1V	3	10
R901352135	DBETA-6X/P350G24K31A1V	5	10
R901347337	DBETA-6X/P350G24K31F1V	3	10

1) "Shipment" defined as – not to exceed the time from receipt of order to Bosch Rexroth Hydraulics to shipment ex-factory (Bosch Rexroth plant location).

GoTo Focused Delivery Program: Proportional Valves

Proportional pressure relief valves, direct operated

DBET & DBETE



DBET proportional pressure relief valves for piloting applications. Pressure is limited by changing current to the proportional solenoid from an external amplifier or internal electronics (DBETE).

For complete engineering and design information:
GoTo www.boschrexroth-us.com/GoToProportional

Features

- Size 6
- Porting pattern according to ISO 4401-3, NFPA T3.5.1M R, and ANSI B93.7 D 03
- Valve for limiting a system pressure
- Proportional solenoid operation
- For subplate mounting
- Linearized pressure/command value characteristic curve
- Integral electronics (OBE) for type DBETE

Detailed information:
• RE29162

Technical Data

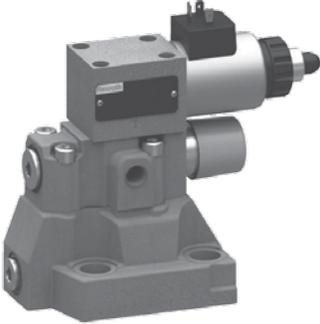
Size		6	
Operating pressure	p_{max}	bar (PSI)	420 (6100)
Flow	$q_{V max}$	l/min (GPM)	2 (0.5)
Maximum hysteresis		%	<4
Step response	0 to 100 %	T_u+T_g	ms
	100 to 0 %	T_u+T_g	ms
Operating voltage	OBE	U	V
Comm. value signal	OBE	U	V
		I	mA
Control electronics	Type DBET	Card, analog	VT-VSPA1-2-1X
		Card, digital	VT-VSPD-1-2X
		Module, analog	VT-MSPA1-1-1X
		Plug, analog	VT-SSPA1-1-1X

Part Number	Description	Max. Quantity	Shipment (Business Days)
R901000846	DBET-6X/200G24K4V	5	10
R901000847	DBET-6X/315G24K4V	5	10
R901000848	DBET-6X/350G24K4V	5	10
R901029968	DBETE-6X/200G24K31A1V	5	10
R901029969	DBETE-6X/315G24K31A1V	5	10
R901029970	DBETE-6X/350G24K31A1V	5	10

1) "Shipment" defined as – not to exceed the time from receipt of order to Bosch Rexroth Hydraulics to shipment ex-factory (Bosch Rexroth plant location).

GoTo Focused Delivery Program: Proportional Valves

Proportional pressure relief valve, pilot operated DBEME

	<p>DBE(M)E, series 7X proportional pressure relief valves limit pressure in hydraulic systems, where higher flow may be required.</p> <p>For complete engineering and design information: GoTo www.boschrexroth-us.com/GoToProportional</p>
---	---

Features

- Size 10
- Pilot operated for limiting system pressure
- Operation by means of proportional solenoid
- Valve and control electronics from a single source
- Type DBEME with integrated electronics (OBE)
- For subplate mounting:
 - Porting pattern according to ISO 6264

Detailed information:

- RE29361

Technical Data

Hydraulic	Size	10	
Weight	kg (lbs)	4.7 (10.4)	
Installation orientation		Any	
Ambient temperature range	°C (°F)	-20 to +50 (-4 to +122)	
Operating pressure	– Ports A, B and X	bar (psi)	350 (5100)
	– Port T	bar (psi)	315 (4500)
	– Port Y		Separately and to the tank at zero pressure
Max. set pressure (at 315 bar [4500 PSI])	bar (psi)	315 (4500)	
Maximum pressure relief function (at 315 bar [4500 PSI])		350 (5100)	
Max. flow	l/min (GPM)	275 (72.6)	
Hydraulic fluid temperature range	°C (°F)	-20 to +80 (-4 to +176)	
Hysteresis	%	≤ 5 of max. set pressure	
Tolerance of command value	%	± 1.5 of max. set pressure	
Linearity	%	± 3.5 of max. set pressure	
Electrical			
Supply voltage	V	24 DC	

Part Number	Description	Max. Quantity	Shipment (Business Days)
R901363308	DBEME 10-7X/315YG24K31A1V	5	10

1) "Shipment" defined as – not to exceed the time from receipt of order to Bosch Rexroth Hydraulics to shipment ex-factory (Bosch Rexroth plant location).

GoTo Focused Delivery Program: Proportional Valves

Proportional pressure reducing valves, pilot operated

DRE6X



Model DRE6X proportional pressure reducing valves are pilot operated with a 3-way main stage. The pilot valve (pressure relief valve pilot stage) is supplied internally with a controlled flow of pilot oil. The valves are actuated by a proportional solenoid acting against a spring. The solenoid armature is cushioned to aid stability.

For complete engineering and design information:
GoTo www.boschrexroth-us.com/GoToProportional

Features

- Size 6
- Pilot operated valves for reducing system pressure at the consumer (pilot oil internal only)
- 3-way version (P–A/A–T), $p_{\min} = p$ in T
- Adjustable by means of the solenoid current
- Solenoid type $I_{\max} = 0.8$ A
- Pressure limitation to a safe level even with faulty electronics (solenoid current $I > I_{\max}$)
- For subplate attachment, mounting hole configuration to ISO 4401-03-02-0-94
- Plug-in connector to DIN 43650-AM2 included in scope of delivery
- External trigger electronics with ramps and valve calibration (order separately)

Detailed information:

- RE29177

Technical Data

Size		6
Ambient temperature range	°C (°F)	–20 to +50 (–4 to +122)
Weight	kg (lbs.)	2.3 (5.1)
Pressure fluid temperature range	°C (°F)	–20 to +80 (–4 to +176)
Max. set pressure in A (at $Q_{\min} = 1$ L/min (0.26 GPM))	bar (psi)	175 (2540)
Minimum pressure in A	bar (psi)	0 (relative) or pressure in T
Minimum inlet pressure in P	bar (psi)	$p_P = p_A + \geq 5$
Maximum working pressure	bar (psi)	Port P: 315 (4600)
Maximum pressure	bar (psi)	Port T: 250 (3626) [B sealed]
Maximum flow	l/min (GPM)	40 (10.6)
Maximum solenoid current	I_{\max}	0.8 A
Coil resistance R_{20}	Ω	22
Hysteresis	%	≤ 4
Manufacturing tolerance for p_{\max}	%	≤ 10

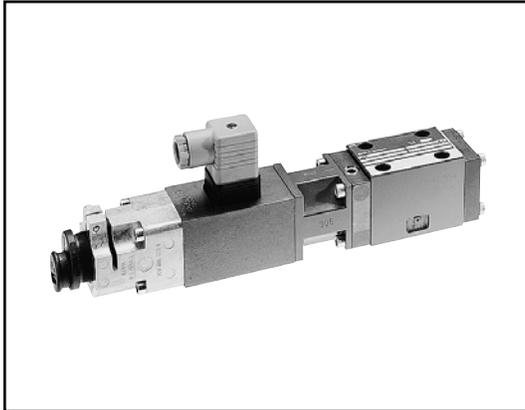
Part Number	Description	Max. Quantity	Shipment (Business Days)
0811402055	DRE 6X-1X/175MG24-8NZ4M	5	10
0811402058	DRE 6X-1X/310MG24-8NZ4M	5	10

1) "Shipment" defined as – not to exceed the time from receipt of order to Bosch Rexroth Hydraulics to shipment ex-factory (Bosch Rexroth plant location).

GoTo Focused Delivery Program: Proportional Valves

Proportional pressure reducing valve, pilot operated with inductive position transducer

DREB6X



Type DREB6X proportional pressure reducing valves are pilot operated with a 3-way main stage. The valves are actuated by a proportional solenoid, which is position-controlled against a spring. This ensures rapid response times and minimal hysteresis.

For complete engineering and design information:
GoTo www.boschrexroth-us.com/GoToProportional

Features

- Size 6
- Pilot operated valves for reducing system pressure at the consumer (pilot oil internal only)
- 3-way version (P-A /A-T), $p_{\min} = p_T$
- Adjustable through the position of the armature against the compression spring
- Position-controlled, minimal hysteresis < 1 %, rapid response times, see Technical data
- Pressure limitation to a safe level even with faulty electronics (solenoid current $I > I_{\max}$)
- For subplate attachment, mounting hole configuration to ISO 4401-03-02-0-94

Detailed information:

- RE29182

Technical Data

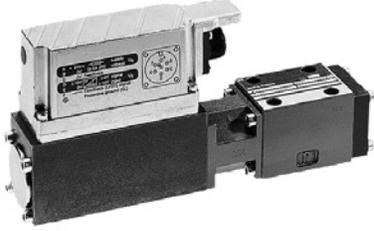
Size		6
Maximum set pressure (at $Q_{\min} = 1 \text{ l/min [0.26 GPM]}$)	bar (psi)	175 (2500)
Minimum pressure in A	bar (psi)	0 (relative) or pressure in T
Minimum inlet pressure in P	bar (psi)	$p_P = p_A + \geq 5$
Maximum working pressure Port P	bar (psi)	315 (4600)
Maximum pressure Port T	bar (psi)	250 (3600) [B sealed]
Maximum flow	l/min (GPM)	40 (10.6)
Maximum solenoid current	I_{\max}	2.5 A
Coil resistance R_{20}	Ω	3
Hysteresis	%	≤ 1

Part Number	Description	Max. Quantity	Shipment (Business Days)
0811402051	DREB 6X-1X/175MG24-25Z4M	5	10

1) "Shipment" defined as – not to exceed the time from receipt of order to Bosch Rexroth Hydraulics to shipment ex-factory (Bosch Rexroth plant location).

GoTo Focused Delivery Program: Proportional Valves

Proportional pressure reducing valves, pilot operated DREBE6X

	<p>DREBE6X is a pilot operated pressure reducing/relieving valve for high performance applications. Pressure in port A is controlled by a proportional solenoid using position feedback with on-board electronics (OBE).</p> <p>For complete engineering and design information: GoTo www.boschrexroth-us.com/GoToProportional</p>
---	--

Features

- Sizes 6
- Porting pattern according to ISO 4401-3, NFPA T3.5.1M R, and ANSI B93.7 D 03
- Valve for reducing a system pressure
- Proportional solenoid operation
- Adjustable by specifying the position of the solenoid armature
- Integral electronics (OBE)

Detailed information:
• RE29195

Technical Data

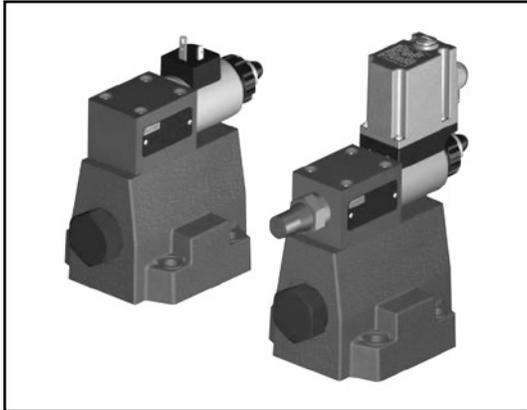
Size				6
Type				DREBE6X
Operating pressure	Port P	p_{max}	bar (psi)	315 (4600)
	Port T	p_{max}	bar (psi)	250 (3600)
Flow		$q_{V\ max}$	l/min (GPM)	40 (10.6)
Maximum hysteresis				≤ 1
Operating voltage	OBE	U	V	24
Command value signal	OBE	U	V	0 to 10
		I	mA	4 to 20

Part Number	Description	Max. Quantity	Shipment (Business Days)
0811402080	DREBE 6X-1X/175MG24K31A1M	5	10
0811402083	DREBE 6X-1X/175MG24K31F1M	5	10
0811402081	DREBE 6X-1X/310MG24K31A1M	5	10

1) "Shipment" defined as – not to exceed the time from receipt of order to Bosch Rexroth Hydraulics to shipment ex-factory (Bosch Rexroth plant location).

GoTo Focused Delivery Program: Proportional Valves

Proportional pressure reducing valves, pilot operated DRE(M) and DRE(M)E



Type DRE(M) and DRE(M)E valves are pilot operated pressure reducing valves, used to reduce operating pressure. Available without maximum pressure limitation (DRE.) or with maximum pressure limitation (DREM.) and with or without integrated control electronics. This valve reduces operating pressure by means of proportional solenoids.

For complete engineering and design information:
GoTo www.boschrexroth-us.com/GoToProportional

Features

- Size 10
- Valve for reducing an operating pressure
- Proportional solenoid with rotatable and detachable coil
- Linearized command value-pressure characteristic curve
- Maximum pressure limitation optional
- For subplate mounting:
 - Porting pattern according to ISO 5781

Detailed information:

- RE29276

Technical Data

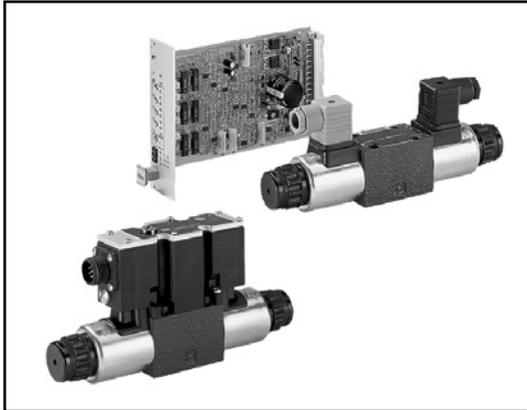
Size		10	
Maximum working pressure	Port A and B	bar (psi)	
	Port Y	bar (psi)	
Maximum set pressure in channel A	Pressure rating (bar [psi]):	200 (2900)	315 (4500)
		200 (2900)	315 (4500)
Minimum set pressure (command value = 0)	bar (psi)	2 (30)	
Maximum pressure limit	Pressure rating (bar [psi]):	200 (2900)	315 (4500)
		230 (3300)	350 (5100)
Maximum flow	l/min (GPM)	200 (52.8)	
Operating voltage	V	24 DC	
Hysteresis	%	± 3.5 of the max. setting pressure	
Repeatability	%	< ± 2 of the max. setting pressure	
Linearity	%	± 2 of the max. setting pressure	

Part Number	Description	Max. Quantity	Shipment (Business Days)
R901272516	DREE 10-6X/200YMG24K31A1M	5	10
R901278309	DREE 10-6X/315YMG24K31A1M	5	10
R901298578	DREM 10-6X/315YMG24K4M	5	10

1) "Shipment" defined as – not to exceed the time from receipt of order to Bosch Rexroth Hydraulics to shipment ex-factory (Bosch Rexroth plant location).

GoTo Focused Delivery Program: Proportional Valves

Proportional pressure reducing valves, direct operated 3DREP & 3DREPE



3DREP6 is a pressure reducing/relieving valve for very low pressures in special applications. The dual solenoid model-C regulates port A or port B. The most common application is 25 bar (360 PSI) on the 4WRZ(E) 10..32 proportional directional valve. Pressure is directly controlled by changing current to a proportional solenoid by external amplifier or by integrated electronics (3DREPE6).

For complete engineering and design information:
GoTo www.boschrexroth-us.com/GoToProportional

Features

- Size 6
- Porting pattern according to ISO 4401-3, NFPA T3.5.1M R, and ANSI B93.7 D 03
- Valve for reducing a system pressure
- Proportional solenoid operation
- For subplate mounting
- Integrated electronics (OBE) for type 3DREPE

Detailed information:

- RE29184

Technical Data

Size		6	
Operating pressure	p_{max}	bar (psi)	100 (1450)
Flow	$q_{V max}$	l/min (GPM)	15 (4.0)
Maximum hysteresis		%	5
Operating voltage	OBE	U	V
Command value signal	OBE	U	V
		I	mA
Control electronics	Type 3DREP	Card, digital	VT-VSPD-1
		Module, analog	VT 11118

Part Number	Description	Max. Quantity	Shipment (Business Days)
R900955887	3DREP 6 C-2X/25EG24N9K4/M	5	10
R901205987	3DREP 6 C-2X/25EG24N9K4/M-674	5	10
R900929529	3DREP 6 C-2X/25EG24N9K4/V	5	10
R900925526	3DREPE 6 A-2X/25EG24N9K31/A1V	5	10
R900925484	3DREPE 6 C-2X/25EG24N9K31/A1V	5	10
R900958848	3DREPE 6 C-2X/25EG24N9K31/F1M	5	10
R900926984	3DREPE 6 C-2X/25EG24N9K31/F1V	5	10

1) "Shipment" defined as – not to exceed the time from receipt of order to Bosch Rexroth Hydraulics to shipment ex-factory (Bosch Rexroth plant location).

GoTo Focused Delivery Program: Proportional Valves

Proportional pressure reducing valve, pilot operated ZDREE



Valve of type ZDREE are pilot operated pressure reducing valves of sandwich plate design in 3-way variant, i.e. with pressure limitation of the actuator pressure. They are used for reducing a system pressure.

For complete engineering and design information:
GoTo www.boschrexroth-us.com/GoToProportional

Features

- Size 10
- Pilot operated valve for reducing a system pressure
- Actuation by proportional solenoid, which can be rotated
- Sandwich plate design
- Porting pattern to DIN 24340-A and ISO 4401
- Linear command value/pressure characteristic curve
- Integrated electronics (OBE) with type ZDREE, with low manufacturing tolerance of the command value/pressure characteristic curve

Detailed information:

- RE29279

Technical Data

Size			6
Maximum operating pressure	Port P1	bar (psi)	315 (4600)
	Ports P2; A; B; X	bar (psi)	350 (5100)
	Port T	bar (psi)	250 (3600)
	Port Y or L	bar (psi)	Line separately and at zero pressure to tank
Maximum set pressure in Port P1	Pressure rating to 200 bar (2900 PSI)	bar (psi)	200 (2900)
Permissible maximum flow		l/min (GPM)	80 (21.1)
Hysteresis		%	±3 of maximum set pressure
Supply voltage	Nominal voltage	VDC	24
Required fuses		A	2, slow-blowing
Inputs	Voltage	V	0 to 10

Part Number	Description	Max. Quantity	Shipment (Business Days)
R901198302	ZDREE 10 VP2-2X/200XLMG24K31A1M	3	10

1) "Shipment" defined as – not to exceed the time from receipt of order to Bosch Rexroth Hydraulics to shipment ex-factory (Bosch Rexroth plant location).

GoTo Focused Delivery Program: Manifolds

Standard hydraulic manifolds



Industrial hydraulic manifolds are used to interconnect various components within a hydraulic system. Standard hydraulic manifolds include a variety of proven manifold designs for a wide range of industrial hydraulic applications. Standard manifolds may improve the assembly and test time of your system, save cost, reduce leak points, and improve the serviceability and aesthetics of your system compared to alternate connection methods.

For complete engineering and design information:
GoTo www.boschrexroth-us.com/GoTomanifolds

Features

- Size 6 (D03)
 - Ductile iron pressure range to 5000 PSI
 - Ductile iron manifolds blackened
- Detailed information:**

 - RA09907

Technical Data

Model Code	ABM6PN-1X/02D2-01GM	ABM6PN-1X/04D2-01GM	CP6NN-XX/D-01
Number of stations	2	4	1
Description	Automotive bar manifold with bottom ported P & T		Cover Plate
Circuit	Parallel circuit, normal flow		Parallel Circuit, all ports blocked
Size	Size 6 (D03)		
Material	Ductile iron (65-45-12)		
Max. pressure (psi)	5000		
Ports	BSPP		N/A
Details	Metric mounting taps		

See technical data sheet RA 09907 for detailed technical data.

Part Number	Description	Max. Quantity	Shipment (Business Days)
R978908745	ABM6PN-1X/02D2-01GM	3	10
R978908747	ABM6PN-1X/04D2-01GM	3	10

1) "Shipment" defined as – not to exceed the time from receipt of order to Bosch Rexroth Hydraulics to shipment ex-factory (Bosch Rexroth plant location).

GoTo Focused Delivery Program: Manifolds

Parallel bar manifolds

BM6PN & BM10PN



Industrial hydraulic manifolds are used to interconnect various components within a hydraulic system. Standard hydraulic manifolds include a variety of proven manifold designs for a wide range of industrial hydraulic applications. Standard manifolds may improve the assembly and test time of your system, save cost, reduce leak points and improve the serviceability and aesthetic of your system compared to alternate connection methods.

For complete engineering and design information:
GoTo www.boschrexroth-us.com/GoToManifolds

Features

- Parallel circuit, normal flow
- Size 6 (DO3); Size 10 (DO5)
- Ductile iron and aluminum
- SAE threaded ports
- Mounting kit included

Detailed information:

- RA09907

Technical Data

Model Code	BM6PN-XX/..A2-12 BM6PN-XX/..D2-12	BM10PN-XX/..A3-12 BM10PN-XX/..D3-12
Number of stations	up to 5	up to 5
Description	Industrial hydraulics bar manifold	
Circuit	Parallel circuit, normal flow	
Size	Size 6 (D03)	Size 10 (D05)
Material	Ductile Iron (65-45-12), Aluminum (6061-T6)	
Max. pressure (psi)	5000 (Ductile iron), 3000 (Aluminum)	
Ports	SAE ports only	
Spacing (in.)	2.13	3.25

Note: GoTo deliveries do not include Relief Valve or Isolation options

Manifold Mounting Kit

Material No.	Material Description	Explanation
R9788398831	Size 6 (DO3) Mounting kit	Port Style 12 SAE, Normal Flow
R9788398832	Size 10 (DO5) Mounting kit	Port Style 12 SAE, Normal Flow

Part Number	Description	Max. Quantity	Shipment (Business Days)
R978901866	BM10PN-1X/01A3-12	3	10
R978901880	BM10PN-1X/01D3-12	3	10
R978901867	BM10PN-1X/02A3-12	3	10
R978901881	BM10PN-1X/02D3-12	3	10
R978901868	BM10PN-1X/03A3-12	3	10
R978901882	BM10PN-1X/03D3-12	3	10
R978901869	BM10PN-1X/04A3-12	3	10
R978901883	BM10PN-1X/04D3-12	3	10
R978901870	BM10PN-1X/05A3-12	3	10
R978901884	BM10PN-1X/05D3-12	3	10
R978901859	BM6PN-1X/01A2-12	3	10
R978901873	BM6PN-1X/01D2-12	3	10
R978901860	BM6PN-1X/02A2-12	3	10
R978901874	BM6PN-1X/02D2-12	3	10
R978901861	BM6PN-1X/03A2-12	3	10
R978901875	BM6PN-1X/03D2-12	3	10
R978901862	BM6PN-1X/04A2-12	3	10
R978901876	BM6PN-1X/04D2-12	3	10
R978901863	BM6PN-1X/05A2-12	3	10
R978901877	BM6PN-1X/05D2-12	3	10
R978839832	Size 10 (DO5) Mounting Kit	3	10
R978839831	Size 6 (DO3) Mounting Kit	3	10

1) "Shipment" defined as – not to exceed the time from receipt of order to Bosch Rexroth Hydraulics to shipment ex-factory (Bosch Rexroth plant location).

GoTo Focused Delivery Program: Manifolds

Cover plates

CP6 & CP10



Industrial Hydraulic manifolds are used to interconnect various components within a hydraulic system. Standard hydraulic manifolds include a variety of proven manifold designs for a wide range of industrial hydraulic applications. Standard manifolds may improve the assembly & test time of your system, save cost, reduce leak points and improve the serviceability and aesthetic of your system compared to alternate connection methods.

For complete engineering and design information:
GoTo www.boschrexroth-us.com/GoToManifolds

Features

- Cover plates, all ports blocked
- Size 6 (DO3); Size 10 (DO5)
- Ductile iron and aluminum

Detailed information:
• RA09907

Technical Data

Model Code	CP6...NN	CP10...NN
Description	Industrial hydraulic cover plate	
Circuit	Cover plate	
Size	Size 6 (DO3)	Size 10 (DO5)
Material	Ductile Iron (65-45-12), Aluminum (6061-T6)	
Max Pressure (psi)	5000 (Ductile iron), 3000 (Aluminum)	
Ports	SAE mounting	

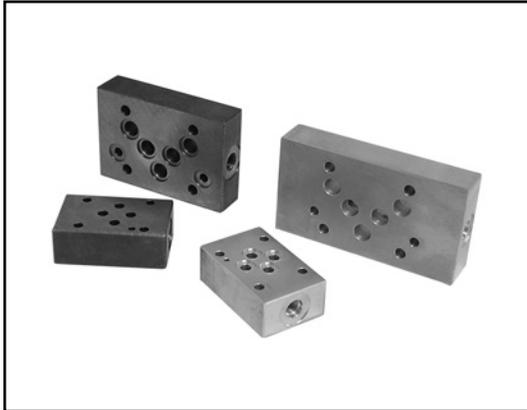
Part Number	Description	Max. Quantity	Shipment (Business Days)
R978839477	CP10NN-1X/A-12	3	10
R978839950	CP10NN-XX/D-12/P	3	10
R978839479	CP6NN-1X/A-12	3	10
R978839953	CP6NN-XX/D-01	5	10
R978839952	CP6NN-XX/D-12	3	10

1) "Shipment" defined as – not to exceed the time from receipt of order to Bosch Rexroth Hydraulics to shipment ex-factory (Bosch Rexroth plant location).

GoTo Focused Delivery Program: Manifolds

Sandwich plates – tap-in connection

TP6 & TP10



Industrial Hydraulic manifolds are used to interconnect various components within a hydraulic system. Standard hydraulic manifolds include a variety of proven manifold designs for a wide range of industrial hydraulic applications. Standard manifolds may improve the assembly & test time of your system, save cost, reduce leak points and improve the serviceability and aesthetic of your system compared to alternate connection methods.

For complete engineering and design information:
GoTo www.boschrexroth-us.com/GoTomanifolds

Features

- Sandwich plates, tap-in connection. SAE-4 port
- Size 6 (DO3); Size 10 (DO5)
- Ductile iron and aluminum

Detailed information:
• RA09907

Technical Data

Model Code	TP6... GPT TP6... GAB	TP10... GPT TP10... GAB
Description	Industrial hydraulic sandwich plate – tap-in connection	
Circuit	Tap-in connection	
Size	Size 6 (DO3)	Size 10 (DO5)
Material	Ductile Iron (65-45-12), Aluminum (6061-T6)	
Max. Pressure (psi)	5000 (Ductile iron), 3000 (Aluminum)	
Ports	SAE-4 port	

Part Number	Description	Max. Quantity	Shipment (Business Days)
R978908992	TP10GAB-1X/A-12	3	10
R978908993	TP10GAB-1X/D-12	3	10
R978908994	TP10GPT-1X/A-12	3	10
R978908995	TP10GPT-1X/D-12	3	10
R978908990	TP6GAB-1X/A-12	3	10
R978908991	TP6GAB-1X/D-12	3	10
R978908988	TP6GPT-1X/A-12	3	10
R978908989	TP6GPT-1X/D-12	3	10

1) "Shipment" defined as – not to exceed the time from receipt of order to Bosch Rexroth Hydraulics to shipment ex-factory (Bosch Rexroth plant location).

GoTo Focused Delivery Program: Manifolds

Adapter plates

AP6



Industrial Hydraulic manifolds are used to interconnect various components within a hydraulic system. Standard hydraulic manifolds include a variety of proven manifold designs for a wide range of industrial hydraulic applications. Standard manifolds may improve the assembly & test time of your system, save cost, reduce leak points and improve the serviceability and aesthetic of your system compared to alternate connection methods.

For complete engineering and design information:
GoTo www.boschrexroth-us.com/GoToManifolds

Features

- Adapter plates
- Size 6 (DO3); Size 10 (DO5)
- Ductile iron and aluminum

Detailed information:

- RA09907

Technical Data

Model Code	AP6-10-1X/-12
Description	Industrial hydraulic adapter plate
Circuit	Adapter plate
Size	Size 6 (DO3) to Size 10 (DO5)
Material	Ductile iron (65-45-12), Aluminum (6061-T6)
Max Pressure (psi)	5000 (Ductile iron), 3000 (Aluminum)

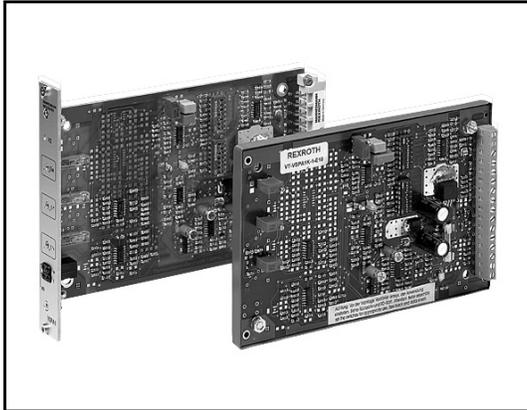
Part Number	Description	Max. Quantity	Shipment (Business Days)
R978908209	AP6-10-1X/A-12	3	10
R978908220	AP6-10-1X/D-12	3	10

1) "Shipment" defined as – not to exceed the time from receipt of order to Bosch Rexroth Hydraulics to shipment ex-factory (Bosch Rexroth plant location).

GoTo Focused Delivery Program: Proportional Electronics

Analog amplifiers for proportional valves without electrical position feedback

VT-VSPA1-1-1X



The VT-VSPA proportional amplifier controls solenoid current to Rexroth proportional valves without LVDT position feedback. Single solenoid driver cards have additional features for more flexibility. The user may configure the analog input, extend ramp time, and change setup for pre-defined valve types.

For complete engineering and design information:
GoTo www.boschrexroth-us.com/GoToelectronics

Features

- Analog amplifiers in Eurocard format
- Voltage stabilization, partially with raised measuring zero point
- Command value inputs for voltage and current
- Internal command value adjustment by means of 4 trimming potentiometers, call-up via relays, with LED indicator lamp (on some versions)
- Ramp generator, ramp times adjustable
- Jump function for quickly passing through overlaps of directional valves
- Enable input (on some versions)

Detailed information:

- RE30111

Technical Data

Operating voltage	U	VDC	24
Command value, depending on type	U	V	0 to 10, ± 10
	I	mA	4 to 20; 0 to 20
Output amplifier	Current-regulated, clocked		
Type of connection	32-pin form D (VT-VSPA1-1)		
Card dimensions	mm (in.)		Eurocard 100 x 160 (3.93 x 6.29), DIN 41494
Ambient temperature range	ϑ	$^{\circ}\text{C}$ ($^{\circ}\text{F}$)	0 to +50 [+70] (0 to +122 [158])

Type	Suitable for valve type
VT-VSPA1-1-1X	DBE(M), (Z)DBE, (Z)DRE10, 3DRE(M)

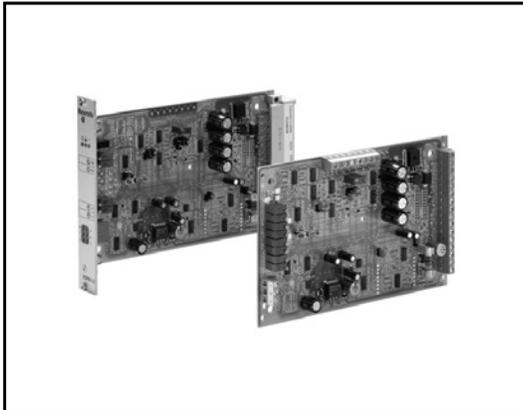
Part Number	Description	Max. Quantity	Shipment (Business Days)
R900033823	VT-VSPA1-1-1X/	5	10

1) "Shipment" defined as – not to exceed the time from receipt of order to Bosch Rexroth Hydraulics to shipment ex-factory (Bosch Rexroth plant location).

GoTo Focused Delivery Program: Proportional Electronics

Analog amplifiers for proportional valves without electrical position feedback

VT-VSPA1-2-1X



This amplifier is suitable for controlling DBET-6X pressure valves or use as a universal amplifier. It has differential inputs for both voltage and current signals along with command call-ups.

For complete engineering and design information:
GoTo www.boschrexroth-us.com/GoToelectronics

Features

- Differential input (0 to +10 V)
- Current input (4 to 20 mA)
- 4 command value call-ups (only in conjunction with option A4)
- Ramp generator with separately adjustable ramp time for “up/down”

Detailed information:

- RE30115

Technical Data

Operating voltage	U	VDC	24
Power consumption	P_S	VA	< 24 VA
Current consumption	I	V	< 2
Fuse	I_F	A	2 (medium time lag, replaceable)
Inputs:			
Analog			
Command values 1 to 4 (potentiometer inputs)	U_e	V	0 to +10, $R_e > 100\text{ k}\Omega$
Differential output	U_e	V	0 to +10, $R_e > 50\text{ k}\Omega$
Current input	I_e	mA	4 to 20, load $R_L = 100\ \Omega$
Type of connection	48-pin form F		
Permissible temperature range	ϑ	°C (°F)	0 to +50 (0 to +122)

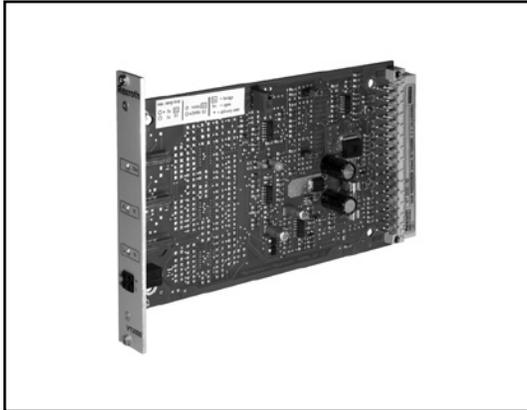
Type	Suitable for valve type
VT-VSPA1-2-1X	DBET-6X

Part Number	Description	Max. Quantity	Shipment (Business Days)
R900782310	VT-VSPA1-2-1X/V0/0	5	10

1) “Shipment” defined as – not to exceed the time from receipt of order to Bosch Rexroth Hydraulics to shipment ex-factory (Bosch Rexroth plant location).

GoTo Focused Delivery Program: Proportional Electronics

Electrical proportional amplifier VT 2000-5X/



The VT-2000 is a proportional amplifier suitable for controlling single solenoid proportional pressure control valves without electrical position feedback.

For complete engineering and design information:
GoTo www.boschrexroth-us.com/GoToelectronics

Features

- Differential input
- Additional command value input, 0 to +9 V
- Separately adjustable ramp generator for up and down ramps
- Card holder:
Model VT 3002-2X/32, see RE29928

Detailed information:

- RA29904

Technical Data

Operating voltage	VDC	24 + 40% – 5%
Inputs	U_i	0 to 9 (reference potential is M0)
	U_i	0 to +10; $R_i = 100\text{ k}\Omega$
Ramp time (adjustment range)	t	30 ms to approx. 1 s or 5 s (depending on setting of S1)
Outputs: Output stage – Solenoid current / resistance		800 mA + 10% – 5%; $R_{(20)} = 19.5\ \Omega$
Permissible operating temperature range	°C (°F)	0 to +50 (0 to +122)

Type	Suitable for valve types
VT 2000-5X	DBEP, DBE...-5X

Part Number	Description	Max. Quantity	Shipment (Business Days)
R900033828	VT 2000-5X/	5	10

1) "Shipment" defined as – not to exceed the time from receipt of order to Bosch Rexroth Hydraulics to shipment ex-factory (Bosch Rexroth plant location).

GoTo Focused Delivery Program: Proportional Electronics

Plug-in proportional amplifier

VT-SSPA1-50



The plug-in amplifier is suitable for mounting onto a valve connection base according to EN 175301-803. By turning the plug insert and the electronics in the housing, the plug-in amplifier can be mounted on the solenoid in 90° increments. User can adjust ramp time, maximum current, and bias current.

For complete engineering and design information:
GoTo www.boschrexroth-us.com/GoToelectronics

Features

- Used for controlling solenoid operated pressure control and directional valves without closed-loop position control
- Differential input, optional current input
- Ramp generator, separate for up/down
- Zero potentiometer / biasing current
- Command value attenuator / maximum current
- Operating voltage 24 V

Detailed information:

- RE30116

Technical Data

Operating voltage 24 V	U_B	VDC	24
	$u(t)_{max}$	V	35
	$u(t)_{min}$	V	18
Current / power consumption	I	A	< 2.6
(depending on solenoid data)	P_{max}	A	< 60
Recommended back-up fuse	I	A	3, 15; slow-blow
Maximum current (adjustment range)	I_{max}	A	$I_g \dots 2.6$
Clock frequency at I_{max}	f	Hz	305
Command value input (voltage)			
Proportional range	U	V	0...10
Switching range	U	V	12 ... U_B
Resistance	R	k Ω	20
Type of connection (M12 component connector)			Component connector, 4-pin, M12x1

Type	Suitable for valve type
VT-SSPA1-50-1X/V0/0-24	Universal; 2.5 A max output

Part Number	Description	Max. Quantity	Shipment (Business Days)
R901005414	VT-SSPA1-50-1X/V0/0-24	5	10

1) "Shipment" defined as – not to exceed the time from receipt of order to Bosch Rexroth Hydraulics to shipment ex-factory (Bosch Rexroth plant location).

GoTo Focused Delivery Program: Proportional Electronics

Plug-in proportional amplifiers for proportional valves without electrical position feedback

VT-SSPA1-5...

	<p>The plug amplifier is employed for actuating proportional valves without position control. It is plugged directly onto square solenoid valves. User can adjust ramp time, dither, and minimum and maximum output current.</p> <p>For complete engineering and design information: GoTo www.boschrexroth-us.com/GoToelectronics</p>
---	--

Features

- Analog amplifier in plug-in design for controlling proportional valves
 - Differential input with optional current input
 - Integrated ramp generator
 - Proportional command value / current characteristic curve
- Detailed information:**
• RE30264

Technical Data

Operating voltage	U	VDC	10.2 to 31
Comm. value signal	U	V	0 to 10
	I	mA	4 to 20
Output amplifier	Current-regulated, clocked		
Type of connection	Screw terminals		
Ambient temperature range	θ	°C (°F)	-20 to +70 (-4 to +158)

Type	Suitable for valve type
VT-SSPA1-525...	DBETX-...-25, DBE6X-...-25, DRE6X-...-25, DBE10Z-...-25, DRE10Z-...-25, 2FREX6, 2FREX10, 3FREX6, 3FREX10, 4WRBA..EA
VT-SSPA1-508...	DBETX-...-8, DBE6X-...-8, DRE6X-...-8, DBE10Z-...-8, DRE10Z-...-8

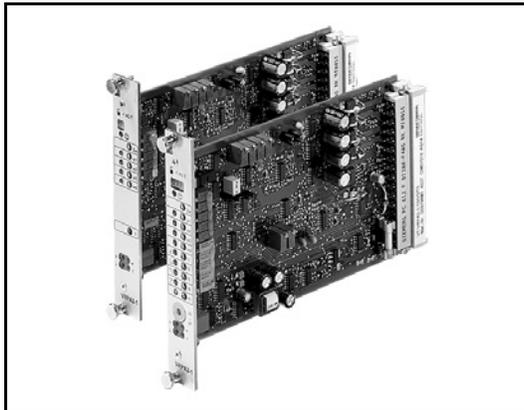
Part Number	Description	Max. Quantity	Shipment (Business Days)
0811405144	VT-SSPA1-508-20/V0	5	10
0811405143	VT-SSPA1-525-20/V0	5	10
0811405145	VT-SSPA1-525-2X/V0/I	5	10

1) "Shipment" defined as – not to exceed the time from receipt of order to Bosch Rexroth Hydraulics to shipment ex-factory (Bosch Rexroth plant location).

GoTo Focused Delivery Program: Proportional Electronics

Analog amplifiers for proportional valves without electrical position feedback

VT-VSPA2-1-2X



The VT-VSPA proportional amplifier controls solenoid current to Rexroth proportional valves without LVDT position feedback. Double solenoid driver cards have additional features for more flexibility. The user may configure the analog input, extend ramp time, and change setup for pre-defined valve types.

For complete engineering and design information:
GoTo www.boschrexroth-us.com/GoToelectronics

Features

- Analog amplifiers in Eurocard format
- Voltage stabilization, partially with raised measuring zero point
- Command value inputs for voltage and current
- Internal command value adjustment by means of 4 trimming potentiometers, call-up via relays, with LED indicator lamp (on some versions)
- Ramp generator, ramp times adjustable
- Jump function for quickly passing through overlaps of directional valves
- Enable input (on some versions)

Detailed information:

- RE30110

Technical Data

Operating voltage	U	VDC	24
Command value, depending on type	U	V	0 to 10, ± 10
	I	mA	4 to 20; 0 to 20
Output amplifier	Current-regulated, clocked		
Type of connection	48-pin male connector form F (VT-VSPA2-1)		
Card dimensions	mm (in.)		Eurocard 100 x 160 (3.93 x 6.29), DIN 41494
Ambient temperature range	ϑ	$^{\circ}\text{C}$ ($^{\circ}\text{F}$)	0 to +50 [+70] (0 to +122 [158])

Type	Suitable for valve type
VT-VSPA2-1-2X	4WRA...2X; 4WRZ...7X

Part Number	Description	Max. Quantity	Shipment (Business Days)
R901002090	VT-VSPA2-1-2X/V0/T1	5	10
R901002095	VT-VSPA2-1-2X/V0/T5	5	10

1) "Shipment" defined as – not to exceed the time from receipt of order to Bosch Rexroth Hydraulics to shipment ex-factory (Bosch Rexroth plant location).

GoTo Focused Delivery Program: Proportional Electronics

Analog amplifier module

VT 11118-1X/



The VT 11118 is suitable for controlling direct operated directional valves (model 4WRA, component series 1X only), pilot operated proportional directional valves (model .WRZ, from component series 5X) and proportional pressure reducing valves (model 3DREP 6) without electrical position feedback.

For complete engineering and design information:
GoTo www.boschrexroth-us.com/GoToelectronics

Features

- Selection of the valve type by means of change-over switch at the front
 - Differential input for command value voltage ± 10 V
 - Enable inputs
 - Adjustable ramp generator
 - Two command value attenuators
 - Two output stages with fixed-frequency clocking
 - LEDs: “power” – internal supply voltage (green)
“H1” – enable 1 (yellow)
“H2” – enable 2 (yellow)
- Detailed information:**
• RE30218

Technical Data

Operating voltage	U_o	24 V DC +40% (-10%)
Inputs Command value (differential input)	U_{Soll}	0 to ± 10 V; $R_e > 50$ k Ω
Outputs Solenoid current/resistance for 4WRA 6 (component series 1X)	I_{max}	1.75 A; $R_{(20)} = 5.4 \Omega$
for 4WRA 10 (component series 1X)	I_{max}	1.75 A; $R_{(20)} = 10 \Omega$
for .WRZ (component series 5X & 6X) and 3DREP 6 (component series 1X)	I_{max}	1 A; $R_{(20)} = 19.5 \Omega$
for .WRZ (component series 7X) and 3DREP 6 (component series 2X)	I_{max}	1.75 A; $R_{(20)} = 4.8 \Omega$
Clock-pulse frequency of the output stage for 4WRA 6 (component series 1X), .WRZ (component series 5X to 7X), 3DREP 6 (component series 2X)	f	175 Hz ± 10 %
for 4WRA 10 (component series 1X) and 3DREP 6 (component series 1X)	f	100 Hz ± 10 %
Type of connection		12 screw terminals
Type of mounting		Top hat rail TH 35-7.5 to EN 60715
Dimensions (W x H x D)	mm (in.)	40 x 79 x 85.5 (1.6 x 3.1 x 3.4)

Type	Suitable for valve types
VT 11118	4WRZ....-7X, 3DREP....-2X

Part Number	Description	Max. Quantity	Shipment (Business Days)
R900211788	VT 11118-1X/	5	10

1) “Shipment” defined as – not to exceed the time from receipt of order to Bosch Rexroth Hydraulics to shipment ex-factory (Bosch Rexroth plant location).

GoTo Focused Delivery Program: Proportional Electronics

External control electronics for the SYDFE1 control of A10VSO axial piston pumps, analog amplifier, configurable VT 5041-3X/

	<p>VT5041-3X analog amplifiers are designed as plug-in cards in Euro-format. They are external control electronics for the SYDFE1 control of A10VSO axial piston pumps analog amplifier.</p> <p>For complete engineering and design information: GoTo www.boschrexroth-us.com/GoToelectronics</p>
---	--

Features

- Differential amplifier input
- Controller for valve spool position
- Minimum generator for pressure and swivel angle controller
- Self-clocking output stage
- Pressure-related leakage compensation (can be switched off)
- Polarity reversal protection for power supply
- Switchable actual pressure value input (current, voltage, range)

Detailed information:
• RE30242

Technical Data

Operating voltage	U_O	VDC	24 + 40% – 10%
Power consumption	P_S	VA	35
Current consumption	I	A	0.6 ($I_{max} = 1.25$ A)
Type of connection	32-pin male connector, DIN 41612, form D		
Card dimensions	Euro-card 100 x 160 mm, DIN 41494		
Permissible operating temperature range		°C (°F)	0 to +50 (0 to +122)
Storage temperature range		°C (°F)	-20 to +70 (-4 to +158)

Type	Suitable for pump types
VT-5041-3X/1-0	SYDFE1 control of A10VSO
VT-5041-3X/3-0	SYDFE1 control of A10VSO with power limitation

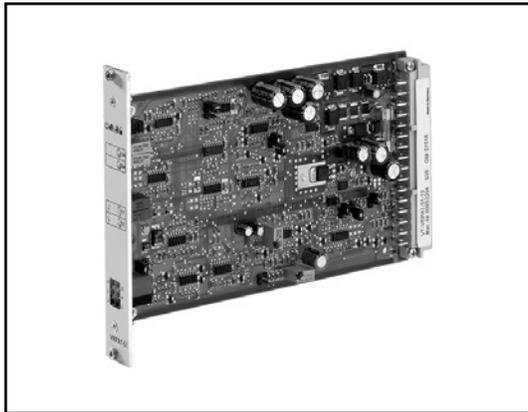
Part Number	Description	Max. Quantity	Shipment (Business Days)
R901236404	VT 5041-3X/1-0	5	10
R901196678	VT 5041-3X/3-0	5	10

1) "Shipment" defined as – not to exceed the time from receipt of order to Bosch Rexroth Hydraulics to shipment ex-factory (Bosch Rexroth plant location).

GoTo Focused Delivery Program: Proportional Electronics

Analog amplifiers for proportional valves with electrical position feedback

VT-VRPA1-1...



The VT-VRPA1-100 proportional amplifier controls the DBETR proportional relief valves with position feedback. The VT-VRPA1-151 proportional amplifier controls 2FRE10 and 2FRE16 proportional flow control valves. The user may configure the analog input and extend ramp times.

For complete engineering and design information:
GoTo www.boschrexroth-us.com/GoToelectronics

Features

- Analog amplifiers in Eurocard format
- Voltage stabilization, partially with raised measuring zero point
- Differential input – 0–10 V/0–20 mA/4–20 mA
- Ramp generator that can be switched off
- Oscillator/demodulator for electrical position feedback
- PID-controller for controlling the control spool position
- Cable break detection with LED indicator lamp for position transducer; in the event of a cable break, the output amplifier is de-energized
- Enable input

Detailed information:

- RE30118

Technical Data

Operating voltage	U	VDC	24
Comm. value signal	U	V	0 to 6(9); 0 to 10; , ±10
	I	mA	0 to 20; 4 to 20
Output amplifier			Current regulated, clocked
Oscillator frequency	f	kHz	approx. 2.5
Type of connection			32-pin form D
Card dimensions (W x L x H)		mm (in.)	Eurocard 100 x 160 (3.93 x 6.29), DIN 41494
Ambient temperature range	ϑ	°C (°F)	0 to +50 (0 to +122)

Type	Suitable for valve type
VT-VRPA1-100	DBETR
VT-VRPA1-151	2FRE10, 2FRE16

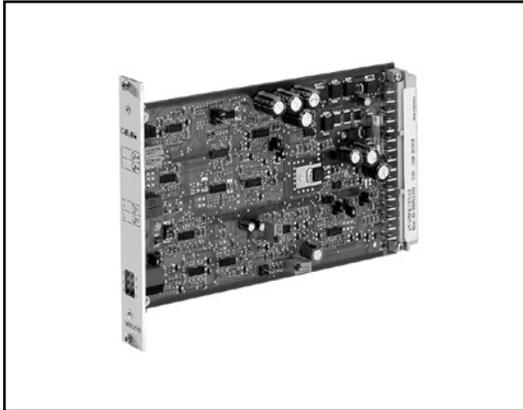
Part Number	Description	Max. Quantity	Shipment (Business Days)
R901057060	VT-VRPA1-151-1X/V0/0	5	10

1) "Shipment" defined as – not to exceed the time from receipt of order to Bosch Rexroth Hydraulics to shipment ex-factory (Bosch Rexroth plant location).

GoTo Focused Delivery Program: Proportional Electronics

Electric amplifier

VT-VRPA1-5...-1X/V0



The VT-VRPA1-5...-1X/V0 is an amplifier for proportional pressure, proportional flow control, and high-response valves.

For complete engineering and design information:
GoTo www.boschrexroth-us.com/GoToelectronics

Features

- Analog amplifiers in Eurocard format for installation in 19" rack
- Output stage with closed-loop control
- Closed-loop position control with PID action
- Rapid energizing and de-energizing for fast response times
- Material description values for valve type:
 - PV = Pressure valve
 - QV = Throttle/Flow control valve
 - [] = Pressure relief valve

Detailed information:

- RE30052

Technical Data

Operating voltage	VDC	24
Plug connector		Connector DIN 41612 – F32
Valve solenoid max.	A/VA	2.7/25 & 3.7/50
Input signal	V	0 to ±10
Card dimensions (W x L x H)	mm (in.)	Eurocard 100 x 160 x ~35 (3.93 x 6.29 x ~1.38)
Ambient temperature range	°C (°F)	0 to +70 (0 to +158)

Type	Suitable for valve type
VT-VRPA1-5...-1X/V0	DBETFX, DREB, DBETBX, 3FREQZ, 4WRP

Part Number	Description	Max. Quantity	Shipment (Business Days)
0811405095	VT-VRPA 1-527-10/V0	5	10
0811405097	VT-VRPA 1-537-10/V0/PV	5	10
0811405099	VT-VRPA 1-537-10/V0/QV	5	10

1) "Shipment" defined as – not to exceed the time from receipt of order to Bosch Rexroth Hydraulics to shipment ex-factory (Bosch Rexroth plant location).

GoTo Focused Delivery Program: Proportional Electronics

Electric amplifier

VT-VRPA1-527-2XV0/2/2V



Electric amplifier VT-VRPA1-527-2X/V0/2/2V is used for controlling direct operated proportional throttle valves with electrical feedback, for block installation. This analog amplifier is in European format for installation in 19" racks.

For complete engineering and design information:
GoTo www.boschrexroth-us.com/GoToelectronics

Features

- Controlled output stage
- Enabling input
- Outputs protected against short-circuits
- Adjustment possible – zero point via trimming potentiometer
- Cable break detection for actual value cable
- Position control with PID behavior

Detailed information:

- RE30055

Technical Data

Operating voltage	VDC	24
Plug connector		Connector DIN 41612 – F32
Valve solenoid max	A/VA	2.7/25
Input signal	V	0 to ±10
Circuit board dimensions	mm (in.)	100 x 160 x ~35 (3.93 x 6.29 x ~1.38)
Ambient temperature range	°C (°F)	0 to +70 (0 to +158)

Type	Suitable for valve type
VT-VRPA1-527-2X/V0/2/2V	FESX 16...50...1X...L...

Part Number	Description	Max. Quantity	Shipment (Business Days)
0811405076	VT-VRPA 1-527-20/V0/2/2V	5	10

1) "Shipment" defined as – not to exceed the time from receipt of order to Bosch Rexroth Hydraulics to shipment ex-factory (Bosch Rexroth plant location).

GoTo Focused Delivery Program: Proportional Electronics

Electrical proportional amplifier

VT-VRPA1-5...RTS-2STV

	<p>The VT-VRPA1-5...RTS-2STV is suitable for controlling servo solenoid pilot operated two-stage valves. It has options for valve zero and gain. The ramps can be controlled by external voltage signals.</p> <p>For complete engineering and design information: GoTo www.boschrexroth-us.com/GoToelectronics</p>
---	---

Features

- Analog amplifiers in Eurocard format for installation in 19" rack
- Output stage with closed-loop control
- Closed-loop position control with PID action
- Ramp functions:
 - External voltage-controlled ramp adjustment via differential inputs.
 - Ramp function can be deactivated

Detailed information:
• RE30044

Technical Data

Operating voltage	VDC	24
Plug connector		DIN 41612 – F32
Valve solenoid max.	A/VA	2.7/40 (Size 6)
Input signal	V	0 to ±10
Card dimensions (W x L x H)	mm (in.)	Eurocard 100 x 160 x ~35 (3.93 x 6.29 x ~1.38)
Ambient temperature range	°C (°F)	0 to +70 (0 to +158)

Type	Suitable for valve type
VT-VRPA1-527	4WRL, series 3X

Part Number	Description	Max. Quantity	Shipment (Business Days)
0811405073	VT-VRPA1-527-20/V0/RTS-2STV	5	10

1) "Shipment" defined as – not to exceed the time from receipt of order to Bosch Rexroth Hydraulics to shipment ex-factory (Bosch Rexroth plant location).

GoTo Focused Delivery Program: Proportional Electronics

Electric amplifier for proportional cartridge throttle valves VT-VRPA1-5...RTS-2/2V

	<p>The VT-VRPA1-5...RTS-2/2V controls throttle cartridge valves FESX with ramps.</p> <p>For complete engineering and design information: GoTo www.boschrexroth-us.com/GoToelectronics</p>
---	--

Features

- Analog amplifier in Europe card format for installation in 19 rack
- Closed-loop controlled output stage
- Outputs short-circuit-proof
- Open-circuit detection for feedback signal cable
- Closed-loop position control with PID action
- Ramp function:
 - External voltage-controlled ramp adjustment via differential inputs
 - Ramp function can be shut down

Detailed information:

- RE30053

Technical Data

Card dimensions (W x L x H)	mm (in.)	100 x 160 x ~35 (3.93 x 6.29 x ~1.38) Eurocard format with front panel (7 modular spacing)
Plug connector		DIN 41612 – F32
Ambient temperature range	°C (°F)	0 to +70 (0 to +158)
Power supply (U_B at $z_2 - b_2$)		Nominal 24 VDC; Battery voltage 21...40 V, rectified AC voltage $U_{eff} = 21...28$ V (single-phase, full-wave rectification)
Maximum valve solenoid	A/VA	2.7/40
Current rating	A	1.5
Power consumption (typical)	W	37

Type	Suitable for valve type
VT-VRPA1-527-2X/V0/RTS-2/2V	FESX

Part Number	Description	Max. Quantity	Shipment (Business Days)
0811405074	VT-VRPA1-527-20/V0/RTS-2/2V	5	10

1) "Shipment" defined as – not to exceed the time from receipt of order to Bosch Rexroth Hydraulics to shipment ex-factory (Bosch Rexroth plant location).

GoTo Focused Delivery Program: Proportional Electronics

Electrical proportional control amplifier

VT-VRPA1-5...PV-RTP



The VT-VRPA1-537-1X/V0/PV-RTP is used to control direct operated pressure control valves DBETBX. It has both zero and maximum adjustments to optimize the pressure range for the hydraulic circuit. Ramp times are controlled by potentiometer adjustment.

For complete engineering and design information:
GoTo www.boschrexroth-us.com/GoToelectronics

Features

- Output stage with closed-loop control
- Rapid energizing and de-energizing for fast response times
- Ramp can be adjusted and deactivated

Detailed information:

- RE30054

Technical Data

Operating voltage	VDC	24
Plug connector		DIN 41612 – F32
Valve solenoid max.	A/VA	3.7/50 (Size 6)
Input signal	V	0 to ±10
Card dimensions	mm (in.)	Eurocard 100 x 160 x ~35 (3.93 x 6.29 x ~1.38)
Ambient temperature range	°C (°F)	0 to +70 (0 to +158)

Type	Suitable for valve type
VT-VRPA1-537	DBETBX-1X

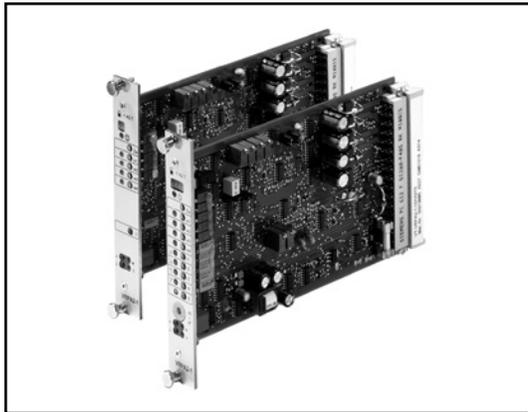
Part Number	Description	Max. Quantity	Shipment (Business Days)
0811405102	VT-VRPA1-537-10/V0/PV-RTP	5	10

1) "Shipment" defined as – not to exceed the time from receipt of order to Bosch Rexroth Hydraulics to shipment ex-factory (Bosch Rexroth plant location).

GoTo Focused Delivery Program: Proportional Electronics

Analog amplifier card for 4/3 proportional directional valves of type 4WRE

VT-VRPA2-.../T1



The VT-VRPA2-1 controls direct operated proportional directional valves, type 4WRE6 series 2X. The VT-VRPA2-2 controls direct operated proportional directional valves, type 4WRE10 series 2X.

For complete engineering and design information:
GoTo www.boschrexroth-us.com/GoToelectronics

Features

- Designed as printed circuit board in Euro-format 100 x 160 mm and suitable for installation in a rack
- Command value inputs:
 - Differential input ± 10 V
 - Four callable command value inputs ± 10 V
 - Current input 4 to 20 mA
- Inversion of the internal command value signal via 24V input or by means of jumpers
- Selection of ramp time through quadrant recognition (24V input) or ramp time call-ups (24V inputs) (option T5)

Detailed information:
• RE30119

Technical Data

Operating voltage	VDC	24 + 40% – 20%
Power consumption	P_S	< 24 VA
Current consumption	I	< 2 A
Type of connection		48-pin male connector, DIN 41612, form F
Card dimensions (W x L x H)	mm (in.)	Eurocard 100 x 160 (3.93 x 6.29), DIN 41494

Type	Suitable for valve type
VT-VRPA2-1-1X/...T1	4WRE6 series 2X
VT-VRPA2-2-1X/...T1	4WRE10 series 2X

Part Number	Description	Max. Quantity	Shipment (Business Days)
R900979887	VT-VRPA2-1-1X/V0/T1	5	10
R900979889	VT-VRPA2-2-1X/V0/T1	5	10

1) "Shipment" defined as – not to exceed the time from receipt of order to Bosch Rexroth Hydraulics to shipment ex-factory (Bosch Rexroth plant location).

GoTo Focused Delivery Program: Proportional Electronics

Electrical proportional amplifier

VT-VRPA2-5...RTP

	<p>The VT-VRPA2-5.../RTP/ is suitable for controlling direct operated 4WRP valves. It offers both zero and maximum adjustments for both solenoids. Ramp times are set by potentiometer adjustments for both acceleration and deceleration.</p> <p>For complete engineering and design information: GoTo www.boschrexroth-us.com/GoToelectronics</p>
---	--

Features

- Ramp generator can be deactivated
- Deadband compensation

Detailed information:
• RE30048

Technical Data

Operating voltage	VDC	24	
Plug connector		DIN 41612 – F32	
Valve solenoid max.	A/VA	2.7/25 (Size 6)	3.7/50 (Size 10)
Current rating	A	1.5	2.5
Power consumption (typical)	W	35	60
Input signal (setpoint)	V	0 to ±10	
Card dimensions	mm (in.)	Eurocard 100 x 160 x ~35 (3.93 x 6.29 x ~1.38)	
Ambient temperature range	°C (°F)	0 to +70 (0 to +158)	

Type	Suitable for valve type
VT-VRPA2-527	4WRP 6, series 1X
VT-VRPA2-537	4WRP 10, series 1X

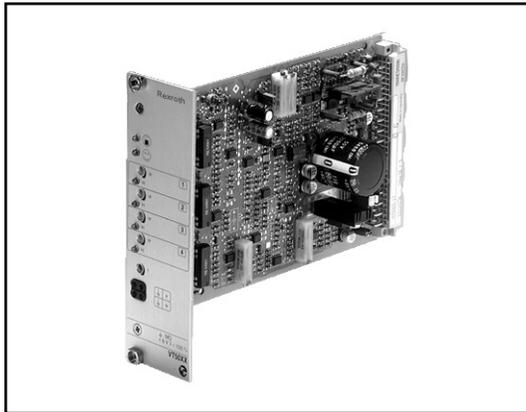
Part Number	Description	Max. Quantity	Shipment (Business Days)
0811405119	VT-VRPA2-527-10/V0/RTP	5	10
0811405120	VT-VRPA2-537-10/V0/RTP	5	10

1) "Shipment" defined as – not to exceed the time from receipt of order to Bosch Rexroth Hydraulics to shipment ex-factory (Bosch Rexroth plant location).

GoTo Focused Delivery Program: Proportional Electronics

Electrical amplifier for displacement control with proportional pumps

VT 5035-1X/



VT 5035 amplifiers are used for adjusting the flow of variable displacement pumps of types A4VSO and A4VSG with EO control (see RE92050, RE92076 and RE92100).

For complete engineering and design information:
GoTo www.boschrexroth-us.com/GoToelectronics

Features

- Differential input
- Enable input with LED indicator lamp
- “Ready for operation” signalled by LED
- Ramp generator
- Four command values that can be adjusted by means of a potentiometer; call-up is signalled by LEDs
- Controller for swivel angle
- Two clocked current output stages
- Oscillator and demodulator for inductive position measurement with cable break detection
- Reverse polarity protection for power supply

Detailed information:

- RE29955

Technical Data

Operating voltage	U_O	VDC	24 + 40% – 5%
Power consumption	P_S	VA	< 50
Current consumption	I	A	< 2
Oscillator frequency	f	kHz	2.5 ± 10 %
Type of connection	32-pin male connector, DIN 41 612, form D		
Card dimensions	Euro-card 100 x 160 mm, DIN 41 494		
Permissible operating temperature range	°C (°F)		0 to +50 (0 to +122)
Storage temperature range	°C (°F)		–25 to +85 (–13 to +185)

Type	Suitable for pump types
VT-5035-1X	A4VSO and A4VSG

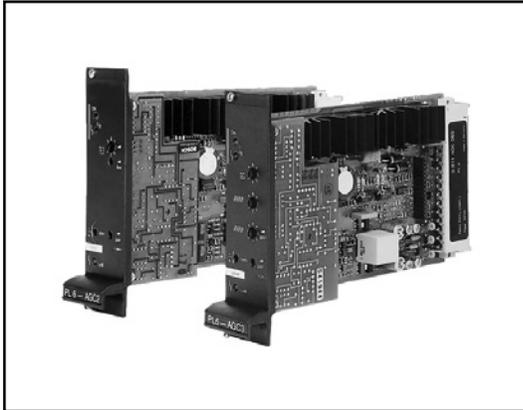
Part Number	Description	Max. Quantity	Shipment (Business Days)
R900579497	VT 5035-1X/	5	10

1) “Shipment” defined as – not to exceed the time from receipt of order to Bosch Rexroth Hydraulics to shipment ex-factory (Bosch Rexroth plant location).

GoTo Focused Delivery Program: Proportional Electronics

Analog amplifiers for high-response valves

VT-VRRRA



The amplifier VT-VRRRA1 controls standard servo solenoid valves with DC-LVDT feedback for direct operated 4WRPH..L-2X and 2-stage 4WRL..-3X. These are basic amplifiers. Since these components are normally used in closed loop applications, other features like ramp, time, and spool compenstion (jump) are not needed.

For complete engineering and design information:
GoTo www.boschrexroth-us.com/GoToelectronics

Features

- Analog amplifiers in Eurocard format
- Controlled output stage
- Enable input
- Short-circuit-proof outputs
- Adjustment options: Valve zero point
- Cable break detection for actual value cable
- Closed-loop position control with PID characteristics

Detailed information:

- RE30041
- RE30045

Technical Data

Operating voltage	<i>U</i>	VDC	24
Command value, depending on type	<i>U</i>	V	0 to 10, ±10
Type of connection			32-pin male connector, Form F
Card dimensions		mm (in.)	Eurocard 100 x 160 (3.4 x 6.3), DIN 41494
Ambient temperature range	ϑ	°C (°F)	0 to +70 (0 to +158)

Type	Suitable for valve type	Detailed information:
VT-VRRRA1-527-2X/V0	4WRPH 6 ... L-2X	RE30041
VT-VRRRA1-527-2X/V0/2STV	4WRL ... M-3X; 3WRCB, NG25 to 50	RE30045
VT-VRRRA1-537-2X/V0	5WRPH10...L-2X	RE30041

Part Number	Description	Max. Quantity	Shipment (Business Days)
0811405060	VT-VRRRA 1-527-20/V0	5	10
0811405063	VT-VRRRA 1-527-20/V0/2STV	5	10
0811405061	VT-VRRRA 1-537-20/V0	5	10

1) "Shipment" defined as – not to exceed the time from receipt of order to Bosch Rexroth Hydraulics to shipment ex-factory (Bosch Rexroth plant location).

GoTo Focused Delivery Program: Proportional Electronics

p/Q amplifier

VT-VARAP1



The p/Q amplifier is comprised of a base card with front panel containing the valve amplifier for 4WRPH6 with closed loop pressure controller. When used with the appropriate servo solenoid valves and pressure sensors, this unit can be employed for controlling flow and pressure in a closed-loop control circuit. The input parameters are the setpoints for pressure p and flow Q .

For complete engineering and design information:
GoTo www.boschrexroth-us.com/GoToelectronics

Features

- Suitable for actuating directly operated and pilot operated servo solenoid valves
- Analog amplifiers in Eurocard format for installation in 19" rack
- Output stage with closed-loop control
- Rapid energizing and de-energizing for fast response times
- Enabling input
- Short-circuit-proof outputs
- External control shutoff
- Open-circuit detectin for feedback signal cable and pressure sensor
- Suitable for pressure sensors (1...6 V, 0...10 V, 4...20 mA)
- Closed-loop position control with PID action

Detailed information:

- RE30058

Technical Data

P.C.B. format (W x L x H)	mm (in.)	100 x 160 x ~35 (3.93 x 6.29 x ~1.38) Europe format with front panel (7 modular spacings)
Plug connector		Connector DIN 41612 – F 32
Power supply – U_B to Z2 – b2		24 V DC
Power consumption (typical)		37 W
Input signal (setpoint Q)		b 20: 0...+10 V; z 20: 0...+10 V – Difference amplifier ($R_i = 100\text{ k}\Omega$)
Input signal (setpoint p)		z 12: 0...10 V; z 10: 0 V – Difference amplifier
Feedback signal from pressure sensor		z 14: 4...20 mA current input; b 16: 0...+10 V / 1...+6 V voltage input; b 18: 0 V reference

Type	Suitable for valve type
VT-VARAP1-527	4WRPH6

Part Number	Description	Max. Quantity	Shipment (Business Days)
0811405152	VT-VARAP1-527-20/V0	5	10

1) "Shipment" defined as – not to exceed the time from receipt of order to Bosch Rexroth Hydraulics to shipment ex-factory (Bosch Rexroth plant location).

GoTo Focused Delivery Program: Proportional Electronics

p/Q controller

VT-VACAP



The input parameters for the card comprise the setpoint value for valve position, the setpoint value for pressure, the actual (feedback) pressure and any control mode signals. The pressure sensors with voltage interface receive their voltage supply from the card (z6/z8). Cards are for the connection of pressure sensors with both voltage and current signals.

The setpoint value for pressure is selected via potentiometer. The potentiometers can be supplied from the card (z32/b12). Test connections in the front plate and on the card are available for monitoring and compensation tuning of the most important parameters.

For complete engineering and design information:
GoTo www.boschrexroth-us.com/GoToelectronics

Features

- Analog amplifiers in Europe card format for installation in 19 rack
- Suitable for servo solenoid valves with on-board electronics
- Closed-loop position control with PID action
- Short-circuit-proof outputs
- External deactivation for pressure controller
- Suitable for pressure sensors (1...6 V, 0...10 V, 4...20 mA)
- Supply for pressure sensors
- Detection of open circuit to pressure sensors
- For valves with on board electronics (OBE)

Detailed information:

- RE30134

Technical Data

P.C.B. format (W x L x H)	mm (in.)	100 x 160 x ~35 (3.93 x 6.29 x ~1.38) Europe format with front panel (7 modular spacings)
Plug connector		Connector DIN 41612 – F 32
Ambient temperature	°C (°F)	operating temperature: 0 to +70 (32 to +158), storage temperature: –20 to +70° (–4 to +158)
Current rating		0811405157 max. 160 mA

Part Number	Description	Max. Quantity	Shipment (Business Days)
0811405157	VT-VACAP-500-20/V0	5	10
0811405158	VT-VACAP-500-20/V0/2CH	5	10

1) "Shipment" defined as – not to exceed the time from receipt of order to Bosch Rexroth Hydraulics to shipment ex-factory (Bosch Rexroth plant location).

GoTo Focused Delivery Program: Proportional Electronics

Digital closed-loop control electronics

VT-HACD-3



The VT-HACD-3-2X closed-loop control electronics is a module that is installed on a top hat rail. A microcontroller controls the entire process, makes adjustments, establishes links and realizes the closed control loops. Data for configuration, command values and parameters are stored in a FLASH in a non-volatile form.

For complete engineering and design information:
GoTo www.boschrexroth-us.com/GoToelectronics

Features

- Use as command value card for generating, linking and normalizing signals
- Use as controller card for closed loop control with PIDT1 controller and optional state feedback
- Alternating control possible (e.g. position control with superimposed pressure control)
- Configurable analog and discrete I/O
- Digital SSI or incremental position measuring system
- Possibility of sequence control through block call-ups with command values, ramp times and controller parameters
- PC software BODAC for configuration, parameterization and diagnostics
- Field bus systems: PROFIBUS DP or EtherNet IP

Detailed information:

- RE30543

Technical Data

Operating voltage	VDC	24
Command value signal	V	0 to 10; +/-10
	mA	0 to 20; 4 to 20
Output signal	V	0 to 10; +/-10
	mA	0 to 20; 4 to 20
Scanning time	m/sec	2
Serial interface		RS 232
Installation		DIN Rail mount
Dimensions	mm (in.)	120 x 55 x 118 (4.72 x 2.17 x 4.65) compact module
Ambient temperature range	°C (°F)	0 to +50 (0 to +122)

Part Number	Description	Max. Quantity	Shipment (Business Days)
R901239533	VT-HACD-3-2X/0-I-00/000	5	10
R901239535	VT-HACD-3-2X/E-I-00/000	5	10
R901227616	VT-HACD-3-2X/P-I-00/000	5	10

1) "Shipment" defined as – not to exceed the time from receipt of order to Bosch Rexroth Hydraulics to shipment ex-factory (Bosch Rexroth plant location).

GoTo Focused Delivery Program: Proportional Electronics

Analog positioning modules

VT-MACAS



Analog position controller type VT-MACAS supports simple position or velocity control loops for hydraulic motion systems, in combination with Bosch Rexroth servo cylinders and analog position measurement systems (potentiometers).

For complete engineering and design information:
GoTo www.boschrexroth-us.com/GoToelectronics

Features

- DIN-rail mountable
- Open-circuit detection for feedback signal cable
- Short-circuit-proof interfaces
- Measurement taps on front panel
- Deadband compensation can be deactivated
- Position: PT1 control

Detailed information:

- RE30050

Technical Data

Operating voltage	U	VDC	24
Command value, depending on type	U	V	0 to 10; ± 10
	I	mA	4 to 20 (middle 12)
Compensation step	Can be switched off; effective in range of $\pm 4\%$		
Type of connection	Connectors + terminals		
Card dimensions	mm (in.)		86 x 110 x 95.5 (3.4 x 4.3 x 3.8)
Ambient temp. range	$^{\circ}\text{C}$ ($^{\circ}\text{F}$)		0 to +70 (32 to +158)

Part Number	Description	Max. Quantity	Shipment (Business Days)
0811405139	VT-MACAS-500-10/V0	5	10

1) "Shipment" defined as – not to exceed the time from receipt of order to Bosch Rexroth Hydraulics to shipment ex-factory (Bosch Rexroth plant location).

GoTo Focused Delivery Program: Proportional Electronics

Analog command value modules

VT-SWMA-1



Analog command value module type VT-SWMA-1 is used for controlling the hydraulic functions of valves with integrated electronics.

For complete engineering and design information:
GoTo www.boschrexroth-us.com/GoToelectronics

Features

- Supports realizing simple hydraulic functions via digital controlling
- Adjustment elements:
 - 1 potentiometer for zero point adjustment (command value offset)
 - 1 potentiometer for command value attenuation (for differential input)
 - 4 potentiometers for command value preselection
 - 5 potentiometers for ramp time adjustment
- 4 call-up possibilities each for command value and ramp time

Detailed information:

- RE29902

Technical Data

Operating voltage	U_o	VDC	24
Inputs			
Command value (dfferential input)	U_i	V	±10
Quadrant operation	U_{4-Q}	V	8.5 to 35
Command value inversion	U_{inv}		
Command value call-ups 1 to 4	U		
Adjustment ranges (potentiometer)			
Zero balancing ("Z")			±30%
Amplitude attenuator ("G")			0% to ca. 110%
Command values ("w1" to "w4")			0% to ca 110%
Ramp times ("11" to "15")			20 ms to 5 s
Outputs			
Control variable	U		±0 to 10 V; ±2 mA
Measuring socket for control variable "w"	U_w		±0 to 10 V
Measuring socket for ramp time "t"	U_t		0.01 to +10 V
Type of connection			12 screw terminals
Dimensions		mm (in.)	40 x 79 x 85.5 (1.6 x 3.1 x 3.4)
Operating temperature range		°C (°F)	0 to +50 (32 to 122)

Part Number	Description	Max. Quantity	Shipment (Business Days)
R900942541	VT-SWMA-1-1X/V0/0	5	10

1) "Shipment" defined as – not to exceed the time from receipt of order to Bosch Rexroth Hydraulics to shipment ex-factory (Bosch Rexroth plant location).

GoTo Focused Delivery Program: Proportional Electronics

Command value and ramp modules

VT-SWMA3-5



Command value and ramp module type VT-SWMA3-5 is used to control proportional valves with integrated electronics.

For complete engineering and design information:
GoTo www.boschrexroth-us.com/GoToelectronics

Features

- 4 internal command values
- Direction logic (+/-)
- Adjustable ramps
 - I for $+U_A$
 - II for $-U_A$
- Selector switch for ΔT_{max}
- Input for "Ramps OFF"

Detailed information:

- RE30288

Technical Data

Operating voltage	VDC	24
Signal input "UE" analog		Mode I or II: 0...+10 Mode I + II: 0...±10
Logic commands	V	24; loaded: 2...5 mA
Operating state (mode)	Unipolar	Mode I (cl. 4) for $U_A = +$ or Mode II (cl. 5) for $U_A = -$
	Bipolar	Mode I + II for $\pm U_E \rightarrow \pm U_A$
Zero point		Mode I or zero point $\rightarrow 0$ V Mode I + II zero point with +0.5 V or adjust -0.5 V U_E
Dimensions	mm (in.)	860 x 110 x 95.5 (33.9 x 4.3 x 3.8)
Ambient temperature range	°C (°F)	0 to +70 (32 to 158)

Part Number	Description	Max. Quantity	Shipment (Business Days)
0811405108	VT-SWMA3-5-1X/V0/0	5	10

1) "Shipment" defined as – not to exceed the time from receipt of order to Bosch Rexroth Hydraulics to shipment ex-factory (Bosch Rexroth plant location).

GoTo Focused Delivery Program: Proportional Electronics

Card holder

VT 3002



The VT-3002 card holder is available in either a 32-pin or 48-pin connection format (Form D or Form F). Individual screw terminals aid in robust field connections while the VT-3002 provides a stable platform to anchor field connections. Push buttons on each side permit releasing an amplifier board without incurring undue stress on an amplifier's faceplate.

For complete engineering and design information:
GoTo www.boschrexroth-us.com/GoToelectronics

Features

- Card holders allow the simple installation and wiring of individual electronic cards in Euro format, e.g. in switching cabinets
- Can be screwed on or snapped onto DIN rails
- Vertical mounting onto a DIN rail, possible with an additional adaptor (included within the scope of supply)
- Stable base
- Card locking and releasing by lever operation
- Connection via screw terminals

Detailed information:

- RE29928

Technical Data

Terminal voltage to VDE 0110 C	U	VAC	Max. 48 VAC/DC	
Current loading capacity	- VT 3002-1-2X/32D	I	A	4 A
	- VT 3002-1-2X/32F	I	A	4 A
	- VT 3002-1-2X/48F	I	A	4 A
Cross-section connection	A		Plug-in screw terminals max. 4 mm ²	
Connection type: (socket connection)	- VT 3002-1-2X/32D			32-pin socket connector, form D, DIN 41612
	- VT 3002-1-2X/32F			32-pin socket connector, form F, DIN 41612
	- VT 3002-1-2X/48F			48-pin socket connector, form F, DIN 41612
Pin allocation:	- VT 3002-1-2X/32D			Even numbered, rows a/c
	- VT 3002-1-2X/32F			Even numbered, rows b/z
	- VT 3002-1-2X/48F			Even numbered, rows d/b/z
Permissible ambient temperature range	ϑ	°C (°F)	-20 to +70 (-4 to +158)	
Weight	m	kg (lbs.)	0.5/0.8 (1.1/1.8)	

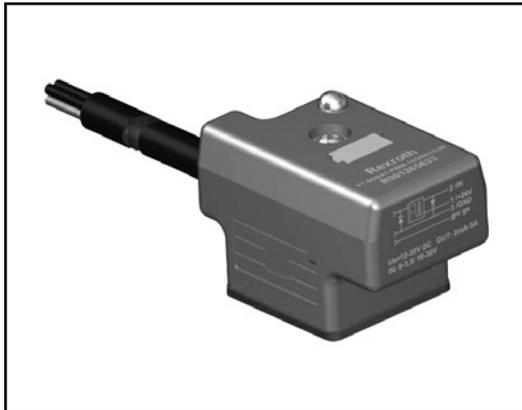
Part Number	Description	Max. Quantity	Shipment (Business Days)
R900020153	VT 3002-1-2X/32D (card holder)	5	10
1834486001	VT 3002-1-2X/32F	5	10
R900020154	VT 3002-1-2X/48F (card holder)	5	10

1) "Shipment" defined as – not to exceed the time from receipt of order to Bosch Rexroth Hydraulics to shipment ex-factory (Bosch Rexroth plant location).

GoTo Focused Delivery Program: Proportional Electronics

Plug-in switching amplifier

VT-SSBA1



The VT-SSBA1 switching amplifier is directly mounted on the valve's K4 connector. It is supplied with 24 V direct voltage. As a fast switching amplifier, the VT-SSBA1 considerably reduces the switching time of standard directional valves in connection with 12 V solenoid coils. As a power reducer, the switching amplifier considerably reduces the holding current when using 24 V standard directional valves.

For complete engineering and design information:
GoTo www.boschrexroth-us.com/GoToelectronics

Features

- Control of hydraulic on/off valves with 12 V solenoids which are to be switched fast (fast switching amplifier)
- Energy saving due to power reduction when controlling hydraulic on/off valves with 24 V solenoids (power reducer)
- Suitable for controlling on/off valves of type WE6 and WE10 with 12 V or 24 V DC solenoids
- Potted-in cable with open end
- 3-conductor connection, power supply and release separated
- Short-circuit proof output
- Status display of the switching status by LED
- CE mark

Detailed information:

- RE30362

Technical Data

Max. operating temperature		°C (°F)	-20 to +60 (-4 to +140)
Operating voltage (nominal voltage)		U_B	24 V ± 10%
Holding current		I_{max}	2 A
Control Voltage (release "IN")	- ON	U_{IN}	10 to 30 V
	- OFF	U_{IN}	< 3.5 V
Switch-on repetition rate		f	≤ 1 Hz
Protection class according to EN 60529			IP 65, IP 67
Switch-on duration	- V001	t	100 to 115 ms
	- V002	t	300 to 315 ms
Pulse width modulation	- V001	%	40 ± 5% on
	- V002	%	60 ± 5% on

Type	Suitable for valve type
VT-SSBA1-PWM-1X/V001/5	
VT-SSBA1-PWM-1X/V002/5	WE6

Part Number	Description	Max. Quantity	Shipment (Business Days)
R901290194	VT-SSBA1-PWM-1X/V002/5	3	10

1) "Shipment" defined as – not to exceed the time from receipt of order to Bosch Rexroth Hydraulics to shipment ex-factory (Bosch Rexroth plant location).

GoTo Focused Delivery Program: Proportional Electronics

3/3 proportional directional valves direct operated, with electrical position feedback as pilot valves for control systems SY(H)DFE

VT-DFP



The VT-DFP-A-2X/G24K0/0/V is the pilot control valve for the SYDFE1 system. In conjunction with amplifier VT5041, it controls the swashplate angle of the pump in either closed loop pressure or flow control. This valve is to be considered a part and not a complete control.

For complete engineering and design information:
GoTo www.boschrexroth-us.com/GoToelectronics

Features

- Pilot valve for the pressure and flow control system SY(H)DFE
- Actuation by means of a proportional solenoid with electrical feedback
- Control electronics:
 - VT-DFP (for SY(H)DFE1) → external analog amplifier VT 5041-3X/

Detailed information:
• RE29016

Technical Data

Type	VT-DFP		
Operating pressure	Port A, P	bar (psi)	350 (5100)
	Port T	bar (psi)	100 (1450)
Control	External amplifier VT-5041-3X		

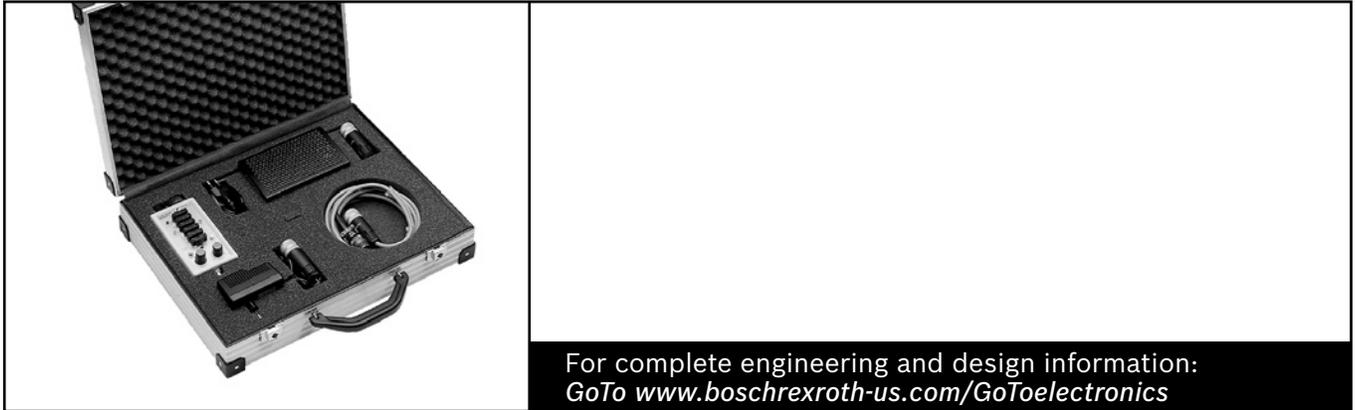
Part Number	Description	Max. Quantity	Shipment (Business Days)
R900703811	VT-DFP-A-2X/G24K0/0/V	5	10
R900712200	VT-DFPE-A-2X/G24K0/0A1V/V	5	10

1) "Shipment" defined as – not to exceed the time from receipt of order to Bosch Rexroth Hydraulics to shipment ex-factory (Bosch Rexroth plant location).

GoTo Focused Delivery Program: Proportional Electronics

Service case with test unit for servo & proportional valves with integral electronics (OBE)

VT-VETSY-1



Features

- The service case comprises a test unit, power supply unit 24 V, connecting cables and adapter cables (see ordering code)
- The test unit can be used to control and carry out functional tests on servo and proportional valves with integral electronics and operating voltages of ±15 V or +24 V
- Simplifies commissioning and troubleshooting in hydraulic systems with servo and proportional valves

Detailed information:
• RE29685

Technical Data

Service case			
Dimensions		(W x H x D)	450 x 100 x 350 mm (17.72 x 3.94 x 13.78 in.)
Weight	empty	kg (lb-ft)	2 (4.41)
	complete	kg (lb-ft)	4.3 (9.48)
Power supply			
Output	24 VDC; 3.75 A		
Input	90–265 VAC; 47–63 Hz		

Part Number	Description	Max. Quantity	Shipment (Business Days)
R978050422	VT-VETSY-1-1X/1-2-1-1-0/USA	3	10

1) "Shipment" defined as – not to exceed the time from receipt of order to Bosch Rexroth Hydraulics to shipment ex-factory (Bosch Rexroth plant location).

GoTo Focused Delivery Program: Proportional Electronics

Pressure transducer for hydraulic applications

HM20



The HM20 measures pressure and outputs voltage or current. It is suitable for closed loop (feedback) and most industrial applications.

For complete engineering and design information:
GoTo www.boschrexroth-us.com/GoToelectronics

Features

- Measuring pressures in hydraulic systems
- Conversion of the measured pressure into a standardized electric analog signal
- Sensor with thick-film measuring cell
- Components that are in contact with the media are of stainless steel
- Operational reliability due to high bursting pressure, reverse polarity, overvoltage and short-circuit protection
- Compact design
- Very good temperature behavior
- Accuracy class 0.5
- 4-pin M12 connector at the housing
- Hydraulic port G1/4A
- Protection class IP65/IP67
- UL approval; CE approval

Detailed information:

- RE30270
- RE30272

Technical Data

Operating voltage	U_S	16 to 36 VDC		
Residual ripple	U_{PP}	2.5 V (40 to 400 Hz)		
Current consumption	I_{max}	6 mA (with voltage output)		
Measurement range	p_N – bar (psi)	100 (1450)	250 (3600)	400 (5800)
Output signal and admissible load R_A	I_{Sig} U_{Sig}	4 to 20 mA, two-wire, $R_A = (U_S - 8.5 \text{ V}) / 0.02 \text{ A}$ with R_A in Ω and U_S in V 0.1 to 10 V, three-wire, $R_A > 20 \text{ k}\Omega$		
Accuracy		<0.5% Related to the complete measurement range, including non-linearity, hysteresis, zero point and end value deviation (corresponds to the measuring deviation according to IEC 61298-2)		
Temperature coefficient (TK) in the nominal temperature range for zero point and range		< 0.1% / 10 K		
Hysteresis		< 0.15%		
Non-repeatability		< 0.10%		
Setting time (10 to 90%)	t	< 1 ms		
Service life		40 million load cycles or 40000 h		
Shock resistance, mechanical		15 g according to IEC 60068-2-27		
Vibration resistance in case of resonance		10 g according to IEC 60068-2-6		
Electromagnetic compatibility (EMC)		DIN EN 61326-2-3		

Part Number	Description	Max. Quantity	Shipment (Business Days)
R901342024	HM 20-2X/100-C-K35	5	10
R901342025	HM 20-2X/100-H-K35	5	10
R901342026	HM 20-2X/250-C-K35	5	10
R901342027	HM 20-2X/250-H-K35	5	10
R901342029	HM 20-2X/315-C-K35	5	10
R901342030	HM 20-2X/315-H-K35	5	10
R901342033	HM 20-2X/400-C-K35	5	10
R901342034	HM 20-2X/400-H-K35	5	10

1) "Shipment" defined as – not to exceed the time from receipt of order to Bosch Rexroth Hydraulics to shipment ex-factory (Bosch Rexroth plant location).

GoTo Focused Delivery Program: Mobile Electronics

BODAS RC Controllers



The BODAS controllers RC are used for the programmable control of proportional solenoids and additional switching functions. They can therefore be used for both simple and complex open- or closed-loop controls, e.g. for hydrostatic travel drives, working hydraulics or transmission control in mobile working machines. BODAS controllers RC were specially developed for use in mobile working machines, and satisfy the relevant safety requirements with regard to ambient temperature, moisture, resistance to shock and vibration, as well as electromagnetic compatibility (EMC).

For complete engineering and design information:
GoTo www.boschrexroth-us.com/GoToMobileelectronics

Features

- Component of BODAS system for mobile applications
 - Robust design meeting specifications for mobile applications
 - High electromagnetic compatibility (EMC)
 - Inputs and outputs with fault detection
 - Safety features such as redundant inputs and central safety cut-off for all outputs
 - Pulse-width-modulated (PWM) solenoid currents for minimum hysteresis
 - Closed-loop control of solenoid currents, i.e. not dependent on voltage and temperature
 - Sturdy, sealed aluminum housing
- Detailed information:**
- RE95205 (RC4-5)
 - RE95204 (RC12-10) (RC28-14)

Technical Data

Type/Series	RC4-5/30	RC12-10/30	RC28-14/30
Nominal voltage	12 and 24 V		
Supply voltage	8 to 32 V		
Total inputs	30	75	75
Max. input functions			
Analog	8	55	55
Digital	16	74	74
Frequency	8	10	10
DSM	2	5	5
Temperature	4	4	4
Outputs			
Proportional solenoid (PWM)	4	12	28
Digital	5	10	14
Analog	1	5	5
Interfaces			
RS232	–	–	–
CAN 2.0 B	2	4	4
Operating temperature	-40 to +85 °C (-40 to +221 °F)		

Part Number	Description	Max. Quantity	Shipment (Business Days)
R917010287	RC10-10 Controller (unprogrammed)	2	5
R917008181	RC12-10/30 (un-programmed)	5	5
R917007683	RC28-14/30 (un-programmed)	2	5
R917008015	RC4-5/30 (un-programmed)	2	5

1) "Shipment" defined as – not to exceed the time from receipt of order to Bosch Rexroth Hydraulics to shipment ex-factory (Bosch Rexroth plant location).

GoTo Focused Delivery Program: Mobile Electronics

BODAS Tools



The BODAS-service PC software tool provides a convenient and user-friendly method of executing service functions for BODAS controllers from Rexroth. Parameters can be displayed and edited, process variables displayed, and their values graphically plotted and recorded. In addition, error messages and configurable diagnostics are provided.

For complete engineering and design information:
GoTo www.boschrexroth-us.com/GoToMobileelectronics

Features

- User-friendly Windows user interface, freely configurable work flow and online help
- Simultaneous display of multiple parameters for modification settings
- Simultaneous display of multiple process variables in graphical or numeric form
- Printout of all settings and process variables for documentation purposes
- Clear and easy-to-understand display of error messages
- Easy-to-use data logger: Save measured values (process variables and parameters) to the hard disk
- Selectable and expandable program language
- Adjustable device language (relevant to controller data, up to 4 languages available)
- Diagnosis configurations for simplified troubleshooting

Detailed information:

- RE95086

Technical Data

- Operating System:
 - Windows Vista
 - Windows 7 (only for BODAS-service. Not available for FT2 and BO-DEM)
- One free serial or CAN interface (depending on selected communications interface)
- One free USB interface (for license key - USB dongle)
- Available hard disk capacity > 200 MB
- Java runtime environment (installation occurs automatically)

Part Number	Description	Max. Quantity	Shipment (Business Days)
R902109422	BODAS Cable	1	5
R909831291	BODAS Service Diagnostic Connector	1	5
R902109416	BODAS Service Tool Full	1	5
R978005614	CAN-USB interface	1	5
R902045960	Flash Adapter FA1/10	1	5

1) "Shipment" defined as – not to exceed the time from receipt of order to Bosch Rexroth Hydraulics to shipment ex-factory (Bosch Rexroth plant location).

GoTo Focused Delivery Program: Mobile Electronics

BODAS Sensors and Connectors



Rexroth BODAS sensors measure different variables such as temperature of fluids, circuit pressure, angle of rotation, and position which provide vital information to mobile hydraulic systems. As a component of the BODAS system, these elements are designed to withstand high ambient loads, external vibrations and impact, and harmful fluids that are encountered in mobile applications.

For complete engineering and design information:
GoTo www.boschrexroth-us.com/GoToMobileElectronics

Features

- Harmonized to BODAS controllers and hydraulic components
 - High temperature range
 - Resistant to shock and vibration
 - High electromagnetic compatibility
 - Robust casing with high IP degree of protection
- Detailed information:**

 - RE95160 (PO1)
 - RE95155 (PR3)
 - RE95140 (WS1)
 - RE95180 (TSF)

Technical Data

Type	Measures	Measurement range	Input current (max.)	Protection class (with mating plug)	Plug connection	Application (typical)
TSF	Temperature	-40 °C to 150 °C	5 mA	IP64A	Jet connector, 2-pin	Enables the measurement of pressurized fluid temperatures of coolants, hydraulic oil or motor oil in vehicles.
TSA	Air Temperature	-40 °C to 150 °C	5 mA	IP64	Jet connector, 2-pin	Temperature measurement of the ambient air and charge air in vehicles
PR3	Pressure	400–600 bar	5 mA	IP67 and IP69K	AMP Superseal, 3-pin	For the measurement of pressure within hydraulic circuits, ideally suited for mobile applications.
WS1	Angle	-45°...+45°	11 mA	IP69K	AMP MQS, 6-pin	For the measurement of rotary movements of an adjusting shaft or angle of levers to determine the setting of diesel injection pump levers.
PO1	Position	0 to 10 mm	20 mA	IP69K	AMP Superseal, 3-pin	Intended for position measurement up to 10 mm. Typically for use as part of an electro-hydraulic hitch control.

Part Number	Description	Max. Quantity	Shipment (Business Days)
R978057362	PO1 Connecting Kit	2	10
R917002927	PO12S05/20 Linear Position	2	10
R902602132	PR3 Mating Connector	2	5
R917008824	PR3-400GS05/10	2	5
R917008825	PR3-600GS05/10	2	5
1834484094	TS Mating Connector	2	5
0538009203	TSA Air Temperature Sensor	2	5
0538009252	TSF Temperature Sensor	2	5

1) "Shipment" defined as – not to exceed the time from receipt of order to Bosch Rexroth Hydraulics to shipment ex-factory (Bosch Rexroth plant location).

GoTo Focused Delivery Program: Mobile Electronics

BODAS Display

Display DI4



The BODAS DI4 display series is a robust and high-resolution color display for use in mobile working machines. The display has a 7-inch screen (800 x 480 pixels) and enables direct connection to two video cameras, e.g. working space and rear view cameras. In addition to two CAN bus interfaces, the DI4 has various analog inputs and outputs, as well as an USB interface for fast data exchange. In conjunction with the integrated BODAS-service communication interface, the DI4 serves as a central access point to the CAN bus network of the machine and allows full diagnostic and flash updates for connected BODAS RC controllers.

For complete engineering and design information:
GoTo www.boschrexroth-us.com/GoToMobileelectronics

Features

- iMX6 Solo processor, 800 MHz
- 2 GB flash memory and 256 MB RAM
- Large number of integrated interfaces as well as inputs and outputs: 2× CAN 2.0B, 1× USB 2.0, 3× digital/analog inputs, 2× digital outputs, 2× analog video inputs (PAL, NTSC)
- Integrated ambient light sensor
- Free programming as well as individual visualization and allocation of functions through CODESYS development environment
- Improved ease of use by ergonomic design
- Flexible application and integration options
- Diagnosis, parameterization and flashing of BODAS controllers without additional service tools

Detailed information:

- RE95272

Technical Data

BODAS DI4 Display	
Nominal voltage	12 V and 24 V
Supply voltage	9...32 V
Power consumption	16 W
Interfaces	
CAN 2.0 B	2
USB 2.0	via wiring harness
Ethernet 10/100 Mbit/s	Fitted (DI4-M-PRO model only)
Display	800 x 480 pixel, 256k resolution
Camera voltage supply	12 V max. 500 mA
Operating system	Linus + CodeSys RTS
Programming platform	CodeSys V3.5

Part Number	Description	Max. Quantity	Shipment (Business Days)
R917010017	DI4 Mating Connector	1	10
R917010009	DI4 Mid-Pro	1	10
R917010008	DI4 Mid-Std	1	10

1) "Shipment" defined as – not to exceed the time from receipt of order to Bosch Rexroth Hydraulics to shipment ex-factory (Bosch Rexroth plant location).

GoTo Focused Delivery Program: Mobile Electronics

BODAS Display

Color Video Camera



The BODAS color video camera, in combination with the BODAS DI3 display, facilitate the display of images from the work area or rearward area of a machine. Thanks to the high-quality optics and the CMOS image sensors, the BODAS cameras supply a high-quality and distortion-free image, even in the event of direct sunlight, and can be rendered reflected if necessary.

For complete engineering and design information:
GoTo www.boschrexroth-us.com/GoToMobileelectronics

Features

- Robust design for use in mobile equipment (IP69k)
- Flexible clamp for universal mounting
- Opening angle of 100° or 120°, horizontal
- High light sensitivity for use even at twilight
- Distortion-free picture display
- Integrated, self-activating heater

Detailed information:

- RE95280

Technical Data

CAM-PRO/10	
Image sensor	1/4" CMOS
Signal format	NTSC
Image reproduction	525 lines, 60 images/sec
Illumination (min.)	0.5 Lux
Resolution	> 300 lines
Lens	Standard optics w/ image correction
Horizontal opening angle	100°
Vertical opening angle	85°
Nominal voltage	12 V and 24 V
Supply voltage	9...36 V
Power input	
Heating off	Approx. 1 W
Heating on	Approx. 4 W
Operating temperature	-40 °C...+85 °C

Part Number	Description	Max. Quantity	Shipment (Business Days)
R902603837	CAM-PRO/10 Camera	2	10
R902603838	CAM-XXX/10 Mating Cable	2	10

1) "Shipment" defined as – not to exceed the time from receipt of order to Bosch Rexroth Hydraulics to shipment ex-factory (Bosch Rexroth plant location).

GoTo Focused Delivery Program: Mobile Electronics

Analog Amplifier RA



The analog amplifier activates up to two proportional solenoids. The specified control voltage is processed in the amplifier as an input command signal. The analog amplifier provides a regulated electric current as an output signal for actuation of proportional solenoids.

For complete engineering and design information:
GoTo www.boschrexroth-us.com/GoToMobileelectronics

Features

- The electronic analog amplifier operates up to two proportional solenoids and a switching function:
- Optional interlock of actuation for proportional solenoids
- Supply voltage for external setpoint potentiometer
- Monitoring of setpoint potentiometer for cable breakage and short circuit
- Externally actuated switching output
- Error output
- Separately adjustable ramp times
- Overload protection, overvoltage protection, conditional short-circuit protection
- Separately adjustable I_{min} and I_{max} for every solenoid
- Externally adjustable PWM frequency

Detailed information:

- RE95230

Technical Data

		RA2-1
Nominal Voltage	12 and 24 V	
Residual ripple (DIN 40839, Section 1)	max. ± 2 V	X
Supply voltage, perm, range	10 ... 32 V	
Current Consumption		
without load	mA	150
with load, max.	A	6
Fuse		
external: for switching and proportional solenoid outputs and for electronics	A T	7.5
Potentiometer Supply Voltage	0 V, 4.0 V	X
(for setpoint potentiometer 2 ... 5 k Ω)	7.2 V ... 8.4 V (depending on load)	
Voltage Input (differential amplifier)	4.0 V	2
(Setpoint voltage)		
Switch Input	> 5.0 V	1
Proportional Solenoid Outputs (PWM)		
Current range	0...2.3 A	2
Pulse frequency	100, 200 or 350 Hz	

Part Number	Description	Max. Quantity	Shipment (Business Days)
R902603063	RA Amplifier 25 Pin Mating Connector	2	5
R902091800	RA2-1/10 Dual Solenoid Amplifier	2	5

1) "Shipment" defined as – not to exceed the time from receipt of order to Bosch Rexroth Hydraulics to shipment ex-factory (Bosch Rexroth plant location).

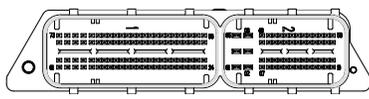
GoTo Focused Delivery Program: Mobile Electronics

BODAS Connector & Wire Kits

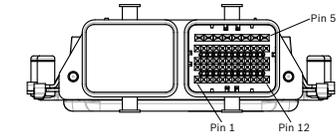
GoTo www.boschrexroth-us.com/GoToMobileElectronics

BODAS Wire Kits

Series 30 controllers, except RC4-5

	Material No.	Designation	Description	Wire Gauge	Length (m)
	R978730358	BWK1-18-2-10BK	Signal wire – use on PINS 101-196, 207-258	18	2
	R978730359	BWK1-16-10-2BK	Ground wire – use on PIN 202	16	10
	R978730360	BWK2-16-2-3RD	Power wire – use on PINS 201, 203-206	16	2
	R978730656	BWK2-16-2-1BK	Ground wire - use on PIN 202	16	2

Series 30 controllers, RC4-5

	Material No.	Designation	Description	Wire Gauge	Length (m)
	R978730362	BWK3-18-2-10BK	Signal wire – use on PINS 1-48	18	2
	R978730363	BWK3-18-5-4BK	Signal wire – use on PINS 53-56	18	5
	R978730364	BWK4-18-5-4BK2RD	Ground wire – use on PINS 51-52 Power wire – use on PINS 49-50	18	5

See RA 95475 for more details.

BODAS Connectors

Material No.	Designation	Description	Options	Controller
R978730365	BCK1-96-L	96 pin carrier, pin lock, pin cover	BCK1-96-CONTACTS – BWK1-18-2-10BK	Series 30 (not 4-5)
R978730366	BCK1-58-R	58 pin carrier, pin locks, pin cover	BCK1-58-CONTACTS – BWK1-18-2-10BK – BWK1-16-10-2BK – BWK2-16-2-3RD	Series 30 (not 4-5)
R978730367	BCK2-56-R	56 pin carrier, pin locks, pin cover, holding plate	BCK2-56-CONTACTS – BWK3-18-2-10BK – BWK3-18-5-4BK – BWK4-18-5-4BK2RD	Series 30 (4-5)
R902603622	RC../30 96+58 Mating Connector Kit	96 & 58 pin contact connector set	BCK1-96-CONTACTS BCK1-58-CONTACTS	Series 30

See RA 95475 for more details.

GoTo Focused Delivery Program: Mobile Electronics

BODAS Connector & Wire Kits (continued)

GoTo www.boschrexroth-us.com/GoToMobileelectronics

BODAS Contact Kits See RA 95475 for more details.

Material No.	Description	Connector	Explanation
R978057364	BCK1-58-CONTACTS	BCK1-58-R	58 un-crimped pins for Series 30 controller connector (except RC4-5)
R978057363	BCK1-96-CONTACTS	BCK1-96-L	96 un-crimped pins for Series 30 controller connector (except RC4-5)
R978057365	BCK2-56-CONTACTS	BCK2-56-R	56 un-crimped pins for RC4-5 Series 30 controller connector

See RA 95475 for more details.

Part Number	Description	Max. Quantity	Shipment (Business Days)
R978057364	BCK1-58-CONTACTS	2	5
R978730366	BCK1-58-R RC../30 not 4-5	2	5
R978057363	BCK1-96-CONTACTS	2	5
R978730365	BCK1-96-L RC../30 not 4-5	2	5
R978057365	BCK2-56-CONTACTS	4	5
R978730367	BCK2-56-R RC4-5/30 Only	4	5
R978060039	BCK3-94-R Housing Kit	2	5
R978730359	BWK1-16-10-2BK	2	5
R978730358	BWK1-18-2-10BK	4	5
R978730656	BWK2-16-2-1BK	5	5
R978730360	BWK2-16-2-3RD	2	5
R978730362	BWK3-18-2-10BK	4	5
R978730363	BWK3-18-5-4BK	2	5
R978730364	BWK4-18-5-4BK2RD	2	5
R902603622	RC../30 96+58 Mating Con. Kit	2	5

1) "Shipment" defined as – not to exceed the time from receipt of order to Bosch Rexroth Hydraulics to shipment ex-factory (Bosch Rexroth plant location).

GoTo Focused Delivery Program: Mobile Controls

Stackable single axis hydraulic pilot controllers

2TH6



Hydraulic pilot control units of the type 2TH6 operate on the basis of direct operated pressure reducing valves. Pressure in the relevant control port is proportional to the stroke of the control lever. This pressure control as a function of the control lever position and the characteristics of the control spring enables the proportional hydraulic control of directional valves and high response control valves for hydraulic pumps and motors.

For complete engineering and design information:
GoTo www.boschrexroth-us.com/GoTomacontrols

Features

- Precise and play-free control characteristics
- Low actuation force at the lever
- Rust-free plunger
- Stackable single axis controllers, up to 6 controllers in one assembly
- Lever operator available “L” spring center, “P” friction detent, or “M” 3-position detent available
- Standard die-cast aluminum base or cast iron base for marine or underground applications

Detailed information:

- RE64552

Technical Data

2TH6		
Inlet pressure (max.)	bar (psi)	50 (725)
Control flow (max.)	l/min (GPM)	16 (4.2)

Part Number	Description	Max. Quantity	Shipment (Business Days)
R907225176	1-2 TH6 L 06-10/M 05	3	10
R908352025	1-2 TH6 L 97-10/M 05	3	10
R907225383	1-2 TH6 M 06-10/M 05	3	10
R908352026	1-2 TH6 M 97-10/M 05	3	10
R907223668	1-2 TH6 P 06-10/M 05	3	10
R908352027	1-2 TH6 P 97-10/M 05	3	10
R908353005	1-2 TH6 T 97-10/M 05	3	10
R978728584	1-2TH6L06-1X/M05 SO418	3	10
R907223719	2 TH6 L 06-10/M 05	3	10
R907223721	2 TH6 M 06-10/M 05	3	10
R907223723	2 TH6 P 06-10/M 05	3	10

1) “Shipment” defined as – not to exceed the time from receipt of order to Bosch Rexroth Hydraulics to shipment ex-factory (Bosch Rexroth plant location).

GoTo Focused Delivery Program: Mobile Controls

Hydraulic pilot controllers

2TH7 and 4TH7

	<p>Hydraulic pilot controllers, 2 ported with foot pedal actuation, and 4 ported with independent side lever actuation. Accurate and smooth actuator control provides linear output for optimum machine control.</p> <p>For complete engineering and design information: GoTo www.boschrexroth-us.com/GoTomacontrols</p>
---	--

Features

- Precise and play-free control characteristics
- Progressive, sensitive operation

Detailed information:
• RE64558

Technical Data

2TH7Q		
Inlet pressure (max.)	bar (psi)	50 (725)
Output signal pressure range	bar (psi)	5.8 – 19 (84 – 276)
Control flow (max.)	l/min (GPM)	up to 20 (5.3)
Torque (max. permissible) at pedals	Nm (lb-ft)	20 (14.75)
Weight	kg (lbs.)	6.2 (13.66)

4TH7J		
Inlet pressure (max.)	bar (psi)	50 (725)
Output signal pressure range	bar (psi)	5.8 – 19 (84 – 276)
Control flow (max.)	l/min (GPM)	up to 20 (5.3)
Torque (max. permissible) at levers	Nm (lb-ft)	8 (5.9)
Weight	kg (lbs.)	3.5 (7.71)

Part Number	Description	Max. Quantity	Shipment (Business Days)
R907142321	2TH7Q06-1X/M05	3	10

1) "Shipment" defined as – not to exceed the time from receipt of order to Bosch Rexroth Hydraulics to shipment ex-factory (Bosch Rexroth plant location).

GoTo Focused Delivery Program: Mobile Controls

Hydraulic pilot control units for armrest installation

4TH6

	<p>Hydraulic 4 ported pilot controller with joystick actuation. Accurate and smooth actuator control provides linear output for optimum machine control. Robust ergonomic joystick handle featuring double and single contact thumb rocker switch and one single contact trigger rocker switch for control of electrical on/off auxiliary control devices.</p> <p>For complete engineering and design information: GoTo www.boschrexroth-us.com/GoTomacontrols</p>
---	---

Features

- Progressive, sensitive operation
- Low actuation forces
- Several ergonomic grips with various E contacts
- All connections point downwards

Detailed information:
• RE64555

Technical Data

4TH6		
Inlet pressure (max.)	bar (psi)	up to 50 (725)
Output signal pressure range	bar (psi)	5.8 – 19 (84 – 276)
Control flow (max.)	l/min (GPM)	up to 16 (4.2)
Torque (max. permissible) at lever	Nm (lb-ft)	10 (7.37) during operation
Weight	kg (lbs.)	2.6 (5.7)

Part Number	Description	Max. Quantity	Shipment (Business Days)
R907229581	4TH6E06-1X/YU23/M05	3	10

1) "Shipment" defined as – not to exceed the time from receipt of order to Bosch Rexroth Hydraulics to shipment ex-factory (Bosch Rexroth plant location).

GoTo Focused Delivery Program: Compact Hydraulics

Relief valves



Relief, direct acting guided poppet type

Symbol	Type	Code	Max. Pressure PSI (bar)	Max. Flow GPM (L/min)	Cavity	Data Sheet
	VSBN-08A	041149X56Z	5000 (350)	5 (20)	CA-08A-2N	RE 18318-04
	VSBN-10A	041155X85Z	5000 (350)	13 (50)	CA-10A-2N	RE 18318-05

Relief, direct acting poppet type, differential area

Symbol	Type	Code	Max. Pressure PSI (bar)	Max. Flow GPM (L/min)	Cavity	Data Sheet
	VSDN-08A	041522X56Z	5000 (350)	13 (50)	CA-08A-2N	RE 18318-02
	VSDN-10A	041523X85Z	5000 (350)	32 (120)	CA-10A-2N	RE 18318-03

Relief, pilot operated spool type

Symbol	Type	Code	Max. Pressure PSI (bar)	Max. Flow GPM (L/min)	Cavity	Data Sheet
	VSPN-10A	041208X85Z	6000 (420)	1-32 (3-120)	CA-10A-2N	RE 18318-08
	VSPN-12A	0412100357	6000 (420)	1.3-53 (5-200)	CA-12A-2N	RE 18318-09
	VSPN-16A	041211X27Z	6000 (420)	2-79 (8-300)	CA-16A-2N	RE 18318-10

Relief, pilot operated spool type, unloading

Symbol	Type	Code	Max. Pressure PSI (bar)	Max. Flow GPM (L/min)	Cavity	Data Sheet
	VSKD-10A	041902X85Z	6000 (420)	1.3-21 (5-80)	CA-10A-2N	RE 00162

continued on next page

GoTo Focused Delivery Program: Compact Hydraulics

Relief valves (continued)



Relief, pilot operated spool type, with external drain

Symbol	Type	Code	Max. Pressure PSI (bar)	Max. Flow GPM (L/min)	Cavity	Data Sheet
	VSPY-10A	041305X85Z	6000 (420)	0.8-32 (3-120)	CA-10A-3N	RE 18318-12
	VSPY-12A	041307X57Z	5000 (350)	1.3-53 (5-200)	CA-12A-3C	RE 18318-13

Priority unloading, pilot operated

Symbol	Type	Code	Max. Pressure PSI (bar)	Max. Flow GPM (L/min)	Cavity	Data Sheet
	VMSN-08A	047521X56Z	5000 (350)	1 (3)	CA-08A-3N	RE 18318-16
	VMSP-78	047510X99Z	5000 (350)	1.3-8 (5-30)	Special cavity, 308	RE 18318-17

Relief, bi-directional direct acting poppet type, differential area

Symbol	Type	Code	Max. Pressure PSI (bar)	Max. Flow GPM (L/min)	Cavity	Data Sheet
	VSNG-10A	0411590385	3500 (240)	15 (56)	CA-10A-2N	RE 18318-07

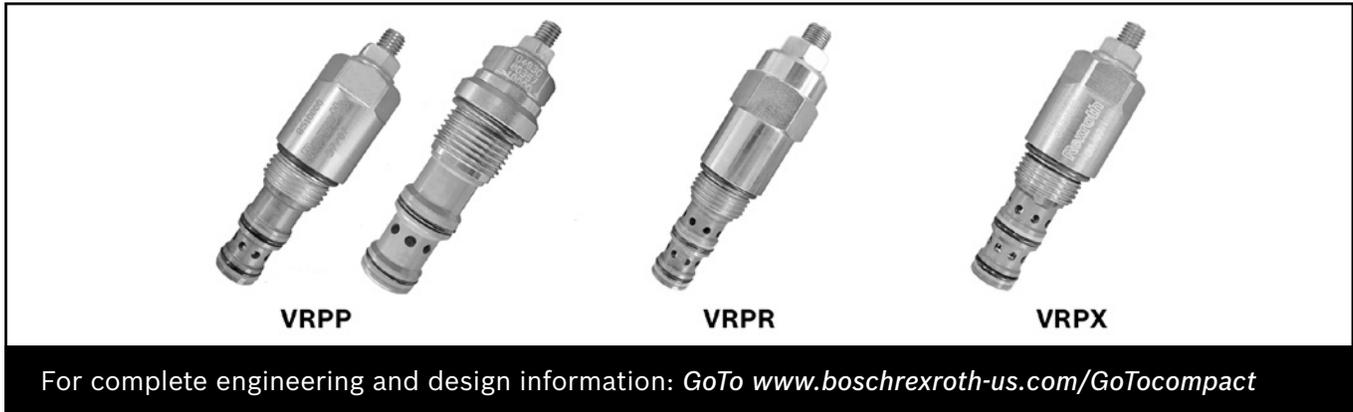
Relief, pilot operated poppet type

Symbol	Type	Code	Max. Pressure PSI (bar)	Max. Flow GPM (L/min)	Cavity	Data Sheet
	VSPC-10A	0412090385	5000 (350)	1-21 (3-80)	CA-10A-2N	RE 18318-11

Part Number	Description	Max. Quantity	Shipment (Business Days)
R901113598	041149035605000 VSBN-08A, 10-70 bar	10	10
R901113599	041149035610000 VSBN-08A, 35-140 bar	10	10
R901097728	041149035620000 VSBN-08A, 105-210 bar	10	10
R901091914	041149035635000 VSBN-08A-35	10	10
R901113601	041149735635000 VSBN-08A, Screw Adjust, 35-350 bar	10	10
R901191831	041155038505000 VSBN-10A-05 5-70 bar	10	10
R901113609	041155038510000 VSBN-10A. 35-140 bar	10	10
R901113610	041155038520000 VSBN-10A. 105-210 bar	10	10
R901115702	041155038535000 VSBN-10A. 175-350 bar	10	10
R930005640	041522035610000 VSDN-08A 35-140 bar	10	10
R930005641	041522035620000 VSDN-08A-20	10	10
R930005642	041522035635000 VSDN-08A 175-315 bar	10	10
R930005643	041523038510000 VSDN-10A-10	10	10
R930005644	041523038535000 VSDN-10A-35	10	10
R901109726	041159038520000 VSVG-10A-20	10	10
R930051168	04120903852000A VSPC-10A-20-A	10	10
R930051170	04120903853500A VSPC-10A-35	10	10
R930001026	041207032720000 VSPN-16A-20	10	10
R930001027	041207032735000 VSPN-16A-35	10	10
R901097726	041208038510000 VSPN-10A, 35-140 bar	10	10
R901097722	041208038520000 VSPN-10A-20	10	10
R901104103	041208038535000 VSPN-10A-35	10	10
R901104104	041208048535000 VSPN-10A, Handknob, 35-350 bar	10	10
R930000334	041210035710000 VSPN-12A-10	10	10
R930000335	041210035720000 VSPN-12A-20	10	10
R930000336	041210035735000 VSPN-12A-35	10	10
R930001025	041211032710000 VSPN-16A-10	10	10
R930001024	041211042735000 VSPN-16A-V-35	10	10
R901106472	041305038510000 VSPY-10A, 35-140 bar	10	10
R901097730	041305038520000 VSPY-10A-20	10	10
R901106473	041305038535000 VSPY-10A, 140-420 bar	10	10
R930000356	041307035710000 VSPY-12A 35-140	10	10
R930000357	041307035720000 VSPY-12A-20	10	10
R930007215	04190203852000A VSKD-10A-20-A	10	10
R901109765	047521065610000 VMSN-08A-10	10	10
R901109766	047521065620000 VMSN-08A-20	10	10
R901109767	047521065635000 VMSN-08A, 175-350 bar	10	10
R930005779	04751003992000D VMSP-78-85-20-D	10	10

1) "Shipment" defined as – not to exceed the time from receipt of order to Bosch Rexroth Hydraulics to shipment ex-factory (Bosch Rexroth plant location).

Pressure reducing and relieving valves



Pressure reducing, pilot operated spool type

Symbol	Type	Code	Max. Pressure PSI (bar)	Max. Flow GPM (L/min)	Cavity	Data Sheet
	VRPP-10A	049306X85Z	5000 (350)	16 (60)	CA-10A-3N	RE 18318-50
	VRPP-12A	049308X57Z	5000 (350)	26 (100)	CA-12A-3N	RE 18318-51

Pressure reducing and relieving, direct acting spool type

Symbol	Type	Code	Max. Pressure PSI (bar)	Max. Flow GPM (L/min)	Cavity	Data Sheet
	VRPR-10A	049504X85Z	5000 (350)	8 (30)	CA-10A-3N	RE 18318-53

Pressure reducing and relieving, pilot operated spool type

Symbol	Type	Code	Max. Pressure PSI (bar)	Max. Flow GPM (L/min)	Cavity	Data Sheet
	VRPX-10A	049307X85Z	5000 (350)	16 (60)	CA-10A-3N	RE 18318-56

Part Number	Description	Max. Quantity	Shipment (Business Days)
R901104112	049306038510000 VRPP-10A, 10-140 bar	10	10
R901104113	049306038520000 VRPP-10A, 70-280 bar	10	10
R901109737	049308035710000 VRPP-12A, 10-140 bar	10	10
R901109738	049308035720000 VRPP-12A, 70-280 bar	10	10
R901109739	049308035735000 VRPP-12A-35	10	10
R901102333	04950403850400A VRPR-10A-04-A	10	10
R901109742	04950403850800A VRPR-10A-08-A	10	10
R901104118	049307038510000 VRPX-10A, 35-140 bar	10	10
R901106468	049307038520000 VRPX-10A, 70-280 bar	10	10

1) "Shipment" defined as – not to exceed the time from receipt of order to Bosch Rexroth Hydraulics to shipment ex-factory (Bosch Rexroth plant location).

GoTo Focused Delivery Program: Compact Hydraulics

Check valves – common cavity



Check poppet type

Symbol	Type	Code	Max. Pressure PSI (bar)	Max. Flow GPM (L/min)	Cavity	Data Sheet
	VUCN-08A	0431200056Z	6000 (420)	13 (50)	CA-08A-2N	RE 18318-89
	VUCN-10A	0431230085Z	5000 (350)	21 (80)	CA-12A-2N	RE 18318-90
	VUCN-12A	0431280057Z	5000 (530)	32 (120)	CA-12A-2N	RE 18318-91
	VUCN-16A	0431250027Z	5000 (350)	53 (200)	CA-16A-2N	RE 18318-92
	VUCN-20A	0431320058Z	5000 (350)	95 (360)	CA-20A-2N	RE 18318-93

Check poppet type with thermal relief

Symbol	Type	Code	Max. Pressure PSI (bar)	Max. Flow GPM (L/min)	Cavity	Data Sheet
	VUCN-10A-TR	043137X85Z	5000 (350)	21 (80)	CA-10A-2N	RE 18318-94

continued on next page

GoTo Focused Delivery Program: Compact Hydraulics

Check valves – common cavity (continued)



Check, poppet reverse type

Symbol	Type	Code	Max. Pressure PSI (bar)	Max. Flow GPM (L/min)	Cavity	Data Sheet
	VURN-08A	0431210056Z	6000 (420)	7 (25)	CA-08A-2N	RE 18318-96
	VURN-10A	0431270085Z	5000 (350)	16 (60)	CA-10A-2N	RE 18318-97
	VURN-12A	0431360057	5000 (350)	24 (90)	CA-12A-2N	RE 18318-98

Pilot operated check, pilot to open

Symbol	Type	Code	Max. Pressure PSI (bar)	Max. Flow GPM (L/min)	Cavity	Data Sheet
	VSOA-08A	043310X56Z	5000 (350)	8 (30)	CA-08A-3N	RE 18319-34
	VSOA-10A	043310X85Z	5000 (350)	11 (40)	CA-10A-3N	RE 18319-35

Dual pilot operated check, pilot to open

Symbol	Type	Code	Max. Pressure PSI (bar)	Max. Flow GPM (L/min)	Cavity	Data Sheet
	VSOA-10A	043603X85Z	5000 (350)	8 (30)	CA-10A-4N	RE 18319-38

continued on next page

GoTo Focused Delivery Program: Compact Hydraulics

Check valves – common cavity (continued)



Directional poppet type, shuttle

Symbol	Type	Code	Max. Pressure PSI (bar)	Max. Flow GPM (L/min)	Cavity	Data Sheet
	SELB-08A	49405005600	5000 (350)	up to 3 (10)	CA-08A-3N	RE 18319-80
	SELC-04A	0494070054	5000 (350)	1 (4)	Special CA-04A-3Y	RE 18319-82

Part Number	Description	Max. Quantity	Shipment (Business Days)
R901007308	043120005600000 VUCN-08A-00	10	10
R901106550	043120005605000 VUCN-08A-05	10	10
R901106592	043120005614000 VUCN-08A-14	10	10
R930006992	0431200056A0000 VUCN-08A-A0	10	10
R901106596	043123008500000 VUCN-10A-00	10	10
R930005884	043123008501000 VUCN-10A-01	10	10
R901106601	043123008505000 VUCN-10A-05	10	10
R901106602	04312300851500A VUCN-10A-15	10	10
R901106616	043125002700000 VUCN-16A-00	10	10
R930004414	0431250027A0000 VUCN-16A-A0	10	10
R901106613	043128005700000 VUCN-12A-00	10	10
R901106614	043128005705000 VUCN-12A-05	10	10
R901106615	043128005715000 VUCN-12A-15	10	10
R901109780	043132005800000 VUCN-20A-00	10	10
R901109781	043132005803000 VUCN-20A-03	10	10
R930000319	043132005812000 VUCN-20A-12	10	10
R930005830	04313735850000B VUCN-10A-TR-00-B	10	10
R901106619	043121005602000 VURN-08A-02	10	10
R901106622	043127008500000 VURN-10A-00	10	10
R930000502	043136005702000 VURN-12A-02	10	10
R930000836	043310005600000 VSOA-08A-00	10	10
R901117416	043310008500000 VSOA-10A-00	10	10
R901117420	043310008503000 VSOA-10A-03	10	10
R930000847	043310105605000 VSOA-08A-05-OR	10	10
R901117418	043310108500000 VSOA-10A-G-00	10	10
R901117421	043310108503000 VSOA-10A-G-03	10	10
R930000989	043310108514000 VSOA-10A-14-OR	10	10
R930000016	043603008503000 VSOD-10A-03	10	10
R901161981	049405005600000 SELB-08A	10	10
R930005663	049407005400000 SELC-04A	10	10

1) "Shipment" defined as – not to exceed the time from receipt of order to Bosch Rexroth Hydraulics to shipment ex-factory (Bosch Rexroth plant location).

GoTo Focused Delivery Program: Compact Hydraulics

Check valves – Sun cavity



Pilot operated, pilot-to-close check

Symbol	Type	Code	Max. Pressure PSI (bar)	Max. Flow GPM (L/min)	Cavity	Data Sheet
	VUPC-25U	043404X50Z	5000 (350)	148 (560)	T-19A	RE 18319-29

Pilot operated, pilot-to-open check

Symbol	Type	Code	Max. Pressure PSI (bar)	Max. Flow GPM (L/min)	Cavity	Data Sheet
	VSON-08U	043306X20Z	5000 (350)	16 (60)	T-11A	RE 18319-39
	VSON-12U	043307X86Z	5000 (350)	32 (120)	T-2A	RE 18319-40
	VSON-16U	043309X47Z	5000 (350)	63 (240)	T-17A	RE 18319-41

Part Number	Description	Max. Quantity	Shipment (Business Days)
R930007037	043404105000000 VUPC-25U-00	10	10
R930007030	043404105002000 VUPC-25U-02	10	10
R901106637	043306002000000 VSON-08U-00	10	10
R930005647	043306012000000 VSON-08U-MA-00	10	10
R901104068	043306102000000 VSON-08U-G-00, O-ring on pilot piston	10	10
R901099896	043306112000000 VSON-08U-G-MA-00	10	10
R901106638	043307008600000 VSON-12U-00	10	10
R901106639	043307108600000 VSON-12U-G-00, O-ring on pilot piston	10	10
R901106640	043309004700000 VSON-16U-00	10	10
R901106641	043309104700000 VSON-16U-G-00, O-ring on pilot piston	10	10

1) "Shipment" defined as – not to exceed the time from receipt of order to Bosch Rexroth Hydraulics to shipment ex-factory (Bosch Rexroth plant location).

GoTo Focused Delivery Program: Compact Hydraulics

Counterbalance valves – common cavity



Standard poppet type, differential area

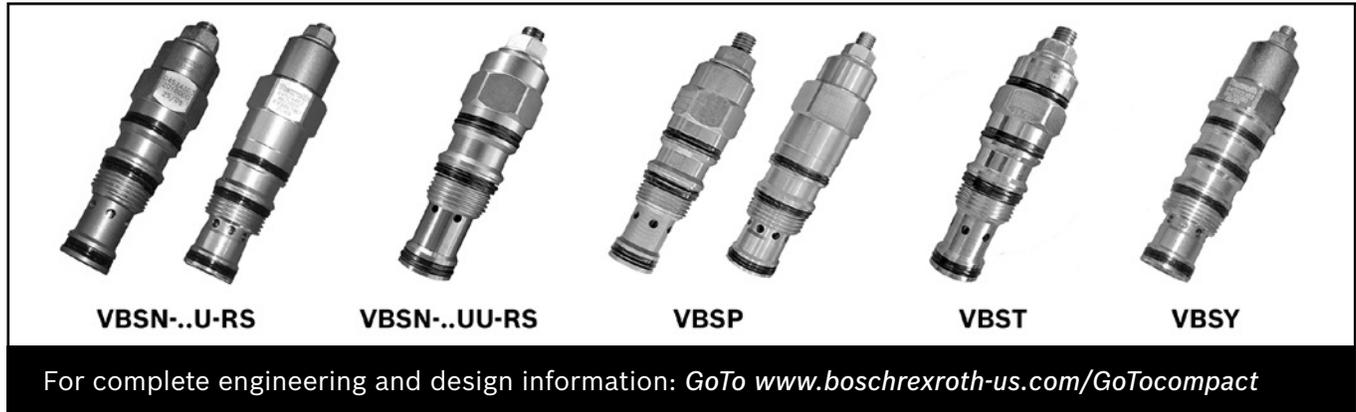
Symbol	Type	Code	Max. Pressure PSI (bar)	Max. Flow GPM (L/min)	Cavity	Data Sheet
	VBSN-20A	045225X58Z	5000 (350)	85 (320)	CA-20A-3C	RE 18320-05

Part Number	Description	Max. Quantity	Shipment (Business Days)
R901096052	045225035820000 VBSN-20A, 4:1, 70-210 bar	10	10
R901096053	045225035835000 VBSN-20A, 4:1, 140-350 bar	10	10
R901096057	045225105840000 VBSN-20A, 8:1, 140-420 bar	10	10

1) "Shipment" defined as – not to exceed the time from receipt of order to Bosch Rexroth Hydraulics to shipment ex-factory (Bosch Rexroth plant location).

GoTo Focused Delivery Program: Compact Hydraulics

Counterbalance valves – Sun cavity



Standard poppet type, differential area, counterclockwise adjustment

Symbol	Type	Code	Max. Pressure PSI (bar)	Max. Flow GPM (L/min)	Cavity	Data Sheet
	VBSN-08U-RS	045243X20Z	5000 (350)	16 (60)	T-11A	RE 18320-17
	VBSN-12U-RS	045244X86Z	5000 (350)	32 (120)	T-2A	RE 18320-18
	VBSN-16U-RS	045245X47Z	6000 (420)	63 (240)	T-17A	RE 18320-19
	VBSN-25U-RS	045246X50Z	5000 (350)	127 (480)	T-19A	RE 18320-29

Standard guided poppet type, differential area, counterclockwise adjustment

Symbol	Type	Code	Max. Pressure PSI (bar)	Max. Flow GPM (L/min)	Cavity	Data Sheet
	VBSN-08UU-RS	045242X20Z	4000 (280)	8 (30)	T-11A	RE 18320-16

Relief compensated poppet type, differential area, counterclockwise adjustment

Symbol	Type	Code	Max. Pressure PSI (bar)	Max. Flow GPM (L/min)	Cavity	Data Sheet
	VBSP-08U	045415X20Z	5000 (350)	16 (60)	T-11A	RE 18320-20
	VBSP-12U	045416X86Z	5000 (350)	32 (120)	T-2A	RE 18320-21
	VBSP-16U	045417X47Z	6000 (420)	63 (240)	T-17A	RE 18320-22
	VBSP-25U	0454182550	6000 (420)	127 (480)	T-19A	RE 18320-30

continued on next page

GoTo Focused Delivery Program: Compact Hydraulics

Counterbalance valves – Sun cavity (continued)



Vented guided poppet type, counterclockwise adjustment

Symbol	Type	Code	Max. Pressure PSI (bar)	Max. Flow GPM (L/min)	Cavity	Data Sheet
	VBST-08U	045929X20Z	5000 (350)	16 (60)	T-11A	RE 18320-23
	VBST-012U	045930X86Z	5000 (350)	32 (120)	T-2A	RE 18320-24
	VBST-16U	045931X47Z	5000 (350)	63 (240)	T-17A	RE 18320-25

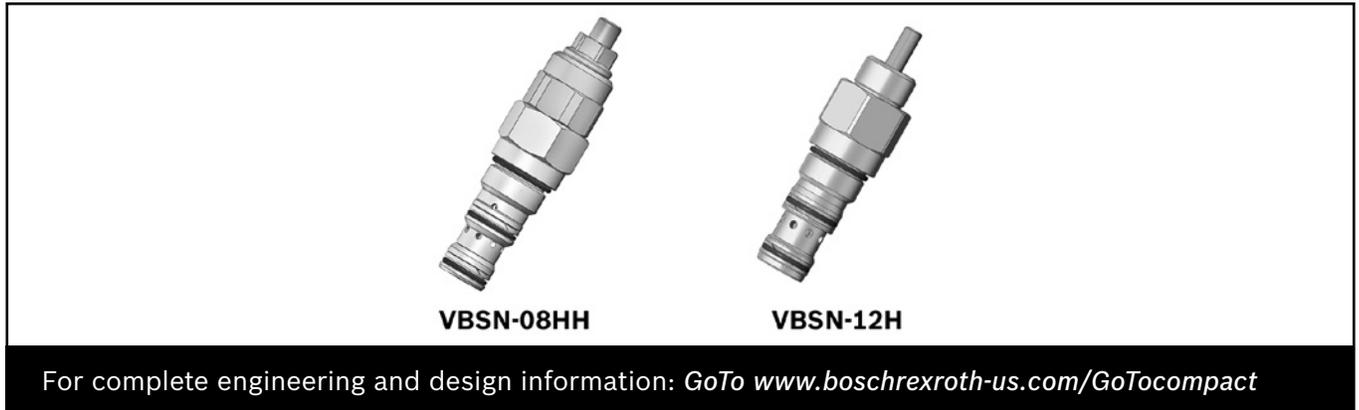
4-port vented poppet type, with external drain, counterclockwise adjustment

Symbol	Type	Code	Max. Pressure PSI (bar)	Max. Flow GPM (L/min)	Cavity	Data Sheet
	VBSY-08U	045932X20Z	5000 (350)	16 (60)	T-21A	RE 18320-26
	VBSY-012U	045933X86Z	5000 (350)	32 (120)	T-22A	RE 18320-27
	VBSY-16U	045934X47Z	5000 (350)	63 (240)	T-23A	RE 18320-28

Part Number	Description	Max. Quantity	Shipment (Business Days)
R930006109	045243032010000 VBSN-08U-RS-3:1-10-A	10	10
R930006110	045243032020000 VBSN-08U-RS-3:1-20-A	10	10
R930006111	045243032035000 VBSN-08U-RS-3:1-35-A	10	10
R930006112	045243102020000 VBSN-08U-RS-8:1-20-A	10	10
R930006113	045243102035000 VBSN-08U-RS-8:1-35-A	10	10
R930055448	045243102035020 VBSN-08U-RS-8:1-35-02	10	10
R930006114	045243312020000 VBSN-08U-RS-1.5:1-P-20-A	10	10
R930006115	045243312035000 VBSN-08U-RS-1.5:1-P-35-A	10	10
R930006116	045244038620000 VBSN-12U-RS-4:1-20-A	10	10
R930006117	045244038635000 VBSN-12U-RS-4:1-35-A	10	10
R930006118	045244108620000 VBSN-12U-RS-8:1-20-A	10	10
R930006119	045244108635000 VBSN-12U-RS-8:1-35-A	10	10
R930006120	045244428620000 VBSN-12U-RS-2:1-P-20-A	10	10
R930006121	045244428635000 VBSN-12U-RS-2:1-P-35-A	10	10
R930000051	045245034720000 VBSN-16U-RS-4:1-20-A	10	10
R930000052	045245034740000 VBSN-16U-RS-4:1-40-A	10	10
R930000053	045245104720000 VBSN-16U-RS-8:1-20-A	10	10
R930000054	045245104740000 VBSN-16U-RS-8:1-40-A	10	10
R930000056	045245424740000 VBSN-16U-RS-2:1-P-40-A	10	10
R930006253	045246255035000 VBSN-25U-RS-5:1-35	10	10
R930006107	045242102020000 VBSN-08UU-RS-4:1-20	10	10
R930006108	045242372020000 VBSN-08UU-RS-9:1-20-A	10	10
R930006122	045415032020000 VBSP-08U-RS-3:1-20-A	10	10
R930006123	045415032035000 VBSP-08U-RS-3:1-35-A	10	10
R930006124	045416038620000 VBSP-12U-RS-4:1-20-A	10	10
R930006125	045416038635000 VBSP-12U-RS-4:1-35-A	10	10
R930000060	045417034740000 VBSP-16U-RS-4:1-35	10	10
R930006255	045418255042000 VBSP-25U-RS-5:1-42	10	10
R930006129	045929032015000 VBST-08U-RS-3:1-15-A	10	10
R930006130	045929032020000 VBST-08U-RS-3:1-20-A	10	10
R930006131	045930038620000 VBST-12U-RS-4:1-20-A	10	10
R930006132	045930038635000 VBST-12U-RS-4:1-35-A	10	10
R930000061	045931034720000 VBST-16U-RS-3:1-20-A	10	10
R930000063	045931034740000 VBST-16U-RS-3:1-40-A	10	10
R930006133	045932032015000 VBSY-08U-RS-3:1-15-A	10	10
R930006134	045932032020000 VBSY-08U-RS-3:1-20-A	10	10
R930006135	045933038620000 VBSY-12U-RS-4:1-20-A	10	10
R930006136	045933038635000 VBSY-12U-RS-4:1-35-A	10	10
R930000067	045934034720000 VBSY-16U-RS-3:1-20-A	10	10
R930000069	045934034740000 VBSY-16U-RS-3:1-40-A	10	10

1) "Shipment" defined as – not to exceed the time from receipt of order to Bosch Rexroth Hydraulics to shipment ex-factory (Bosch Rexroth plant location).

Counterbalance valves – integrated cavity



Standard guided poppet type, differential area

Symbol	Type	Code	Max. Pressure PSI (bar)	Max. Flow GPM (L/min)	Cavity	Data Sheet
	VBSN-08HH	045220X20Z	5000 (350)	8 (30)	A6610	RE 18330-34

Standard poppet type, differential area

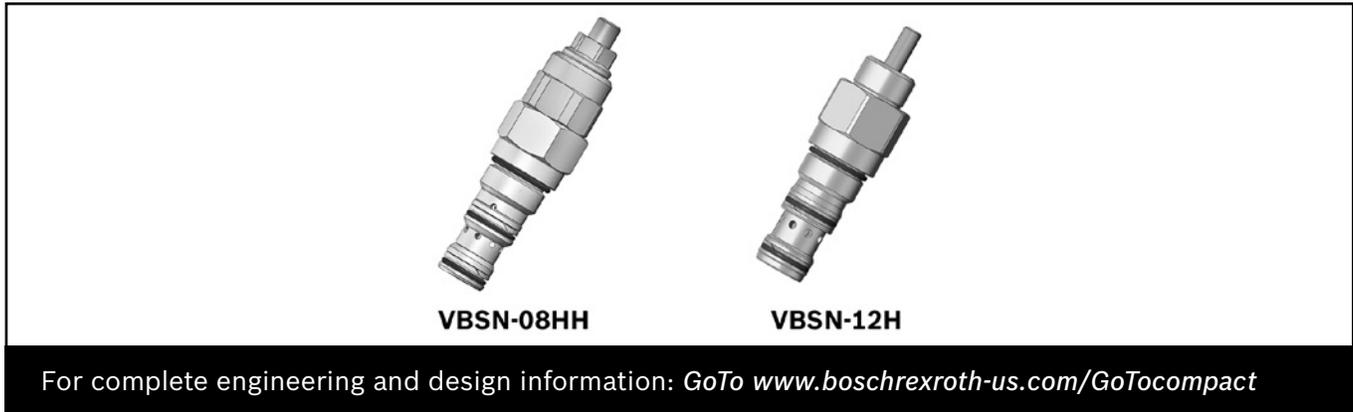
Symbol	Type	Code	Max. Pressure PSI (bar)	Max. Flow GPM (L/min)	Cavity	Data Sheet
	VBSN-12H	045228X15Z	5000 (350)	32 (120)	A12336	RE 18330-35

Relief Compensated Poppet Type, differential area, counterclockwise adj.

Symbol	Type	Code	Max. Pressure PSI (bar)	Max. Flow GPM (L/min)	Cavity	Data Sheet
	VBSP-12H	0454080315	5000 (350)	32 (120)	A12336	RA 00162-03

continued on next page

Counterbalance valves – integrated cavity (continued)



Relief Compensated Guided Poppet Type

Symbol	Type	Code	Max. Pressure PSI (bar)	Max. Flow GPM (L/min)	Cavity	Data Sheet
	VBSP-08HH	0454040320	5000 (350)	8 (30)	A6610	RA 00162-03

Vented Guided Poppet Type, counterclockwise adj.

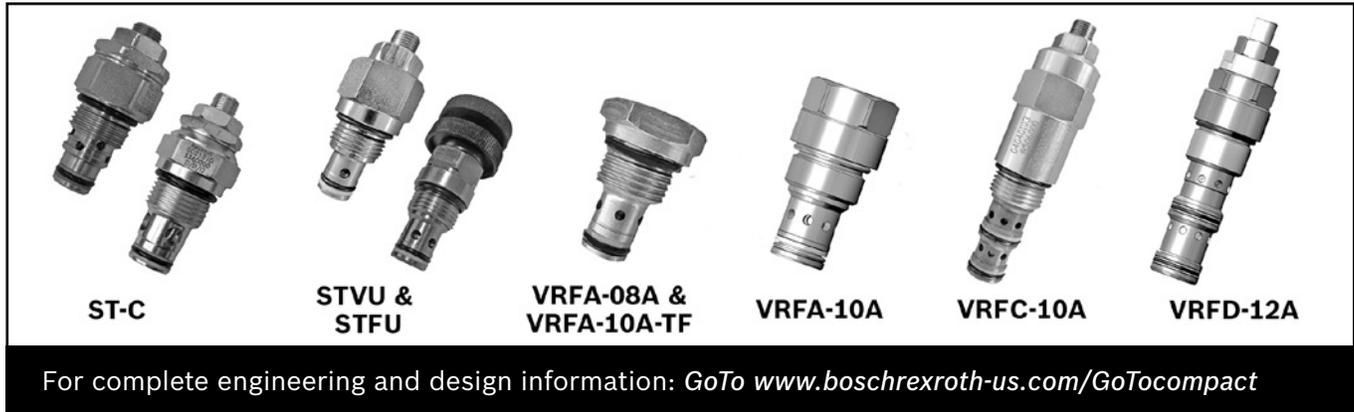
Symbol	Type	Code	Max. Pressure PSI (bar)	Max. Flow GPM (L/min)	Cavity	Data Sheet
	VBST-08HH	0459080320	5000 (350)	8 (30)	A6610	RA 00162-03
	VBST-12HH	0459130315	6000 (420)	27 (100)	A12336	RA 00162-03

Part Number	Description	Max. Quantity	Shipment (Business Days)
R901113641	045220032020000 VBSN-08HH, 4:1, 100-210 bar	10	10
R901113643	045220032035000 VBSN-08HH, 4:1, 200-350 bar	10	10
R901113645	045220122035000 VBSN-08HH, 10:1, 200-350 bar	10	10
R901113646	045228031520000 VBSN-12H, 4:1, 70-210 bar	10	10
R901113647	045228031535000 VBSN-12H, 4:1, 140-350 bar	10	10
R901127086	045408031535000 VBSP-12H-4:1-35	10	10
R901099670	045404032020000 VBSP-08HH-4:1-20	10	10
R901099715	045404032035000 VBSP-08HH-4:1-35	10	10
R901113654	04590803202000B VBST-08HH-4:1-20-B	10	10
R901113655	04590803203500B VBST-08HH-4:1-35-B	10	10
R901113658	045913031540000 VBST-12HH-4:1-40	10	10

1) "Shipment" defined as – not to exceed the time from receipt of order to Bosch Rexroth Hydraulics to shipment ex-factory (Bosch Rexroth plant location).

GoTo Focused Delivery Program: Compact Hydraulics

Flow control valves



Cartridge restrictors

Symbol	Type	Code	Max. Pressure PSI (bar)	Max. Flow GPM (L/min)	Cavity	Data Sheet
	ST-C-06	OD2101X56	5000 (350)	11 (40)	CA-08A-2N	RE 18321-26
	ST-C-10	OD2101X36	5000 (350)	19 (70)	CA-10A-2N	RE 18321-27
	ST-C-12	OD2101X89	5000 (350)	39 (150)	CA-12A-2N	RE 18321-28
	ST-C-16	OD2101X75	5000 (350)	39 (150)	CA-16A-2N	RE 18321-29

Needle restrictors

Symbol	Type	Code	Max. Pressure PSI (bar)	Max. Flow GPM (L/min)	Cavity	Data Sheet
	STVU-08A	040103X5600	5000 (350)	11 (40)	CA-08A-2N	RE 18321-10
	STVU-10A	040105X8500	5000 (350)	22 (80)	CA-10A-2N	RE 18321-11
	STFU-08A	040106X5600	5000 (350)	11 (40)	CA-08A-2N	RE 18321-09

2-way pressure compensated, fixed setting

Symbol	Type	Code	Max. Pressure PSI (bar)	Max. Flow GPM (L/min)	Cavity	Data Sheet
	VRFA-08A	0402010056Z	up to 3000 (210)	2 (8)	CA-08A-2N	RE 18321-12
	VRFA-10A-TF	0402010085Z	up to 5000 (350)	5 (19)	CA-10A-2N	RE 18321-13
	VRFA-12A-TF	0402030057	5000 (350)	17 (63)	CA-12A-2N	RE 18321-14

continued on next page

GoTo Focused Delivery Program: Compact Hydraulics

Flow control valves (continued)



2-way pressure compensated, partially adjustable

Symbol	Type	Code	Max. Pressure PSI (bar)	Max. Flow GPM (L/min)	Cavity	Data Sheet
	VRFA-10A	040201X85Z	up to 5000 (350)	7 (26)	CA-10A-2N	RE 18321-15

2-way pressure compensated, fully adjustable

Symbol	Type	Code	Max. Pressure PSI (bar)	Max. Flow GPM (L/min)	Cavity	Data Sheet
	VRFB-10A	0402020485	5000 (350)	8 (30)	CA-10A-2N	RE 18321-16

2-way pressure compensated, fully adjustable

Symbol	Type	Code	Max. Pressure PSI (bar)	Max. Flow GPM (L/min)	Cavity	Data Sheet
	VRFE-12A	0407010357	5000 (350)	13 (50)	CA-12A-2N	RE 18321-30

3-way pressure compensated, fixed setting

Symbol	Type	Code	Max. Pres- sure PSI (bar)	Max. Flow GPM (L/min)	Cavity	Data Sheet
	VRFC-10A-TF	0404010085	5000 (350)	5 (19)	CA-10A-2N	RE 18321-18
	VRFC-12A-TF	0404030057	5000 (350)	17 (63)	CA-12A-2N	RE 18321-19

continued on next page

GoTo Focused Delivery Program: Compact Hydraulics

Flow control valves (continued)



3-way pressure compensated, partially adjustable

Symbol	Type	Code	Max. Pressure PSI (bar)	Max. Flow GPM (L/min)	Cavity	Data Sheet
	VRFC-10A	040401X85Z	up to 5000 (350)	16 (60)	CA-10A-3N	RE 18321-17

3-way pressure compensated, fully adjustable

Symbol	Type	Code	Max. Pressure PSI (bar)	Max. Flow GPM (L/min)	Cavity	Data Sheet
	VRFD-10A	0404020485	5000 (350)	16 (60)	CA-10A-2N	RE 18321-20
	VRFD-12A	040404X57Z	up to 5000 (350)	32 (120)	CA-12A-3N	RE 18321-21

Flow dividers and combiners

Symbol	Type	Code	Max. Pressure PSI (bar)	Max. Flow GPM (L/min)	Cavity	Data Sheet
	DRFN-10A	0405010085	5000 (350)	14 (54)	CA-10A-2N	RE 18321-24
	DRFN-16A	0405020027	5000 (350)	44 (165)	CA-16A-2N	RE 18321-25

Part Number	Description	Max. Quantity	Shipment (Business Days)
R901109830	OD210103360000 VSTXX09CA.36X03	10	10
R934001238	OD2101033600000 ST-C-10A	10	10
R901109366	OD2101035600000 ST-C-06	10	10
R901109837	OD2101037500000 ST-C-16A	10	10
R901109832	OD2101038900000 ST-C-12A	10	10
R901109831	OD2101043600000 ST-C-10A, Handknob	10	10
R901109367	OD2101045600000 ST-C-06, Handknob	10	10
R901109838	OD2101047500000 ST-C-16A, Handknob	10	10
R901109834	OD2101048900000 ST-C-12A, Handknob	10	10
R930000002	040103035600000 STVU-08A	10	10
R930000003	040103045600000 STVU-08A-V	10	10
R930005606	040105038500000 STVU-10A	10	10
R930005607	040105048500000 STVU-10A-V	10	10
R930001067	040106035600000 STFU-08A	10	10
R930001068	040106045600000 STFU-08A-V	10	10
R901109350	040201005609000 VRFA-08A, reg. flow rate 0.9 l/min	10	10
R901109355	040201005630000 VRFA-08A-F-30	10	10
R901109360	040201005653000 VRFA-08A, reg. flow rate 5.3 l/min	10	10
R901109362	040201005680000 VRFA-08A, reg. flow rate 8.0 l/min	10	10
R930005613	040201008517000 VRFA-10A-TF-17	10	10
R930005614	040201008519000 VRFA-10A-TF-19	10	10
R930005620	040203005729000 VRFA-12A-TF-29	10	10
R930005621	040203005737000 VRFA-12A-TF-37	10	10
R930005623	040203005745000 VRFA-12A-TF-45	10	10
R930005624	040203005750000 VRFA-12A-TF-50	10	10
R930005625	040203005758000 VRFA-12A-TF-58	10	10
R930005626	040203005763000 VRFA-12A-TF-63	10	10
R901109336	040201038526000 VRFA-10A, adjustable 19-26 l/min	10	10
R901109344	040201048514000 VRFA-10A-V-14	10	10
R901109347	040201048526000 VRFA-10A-V-26	10	10
R930055371	04020204854000A VRFB-10A-V-40	10	10
R930000009	040701035750000 VRFE-12A-50	10	10
R930005632	040401008517000 VRFC-10A-TF-17	10	10
R930000072	040403005723000 VRFC-12A-TF-23	10	10
R930000074	040403005729000 VRFC-12A-TF-29	10	10
R901106669	040401048514000 VRFC-10A-V-14	10	10
R901106670	040401048520000 VRFC-10A, adjustable 13-20 l/min, Handknob	10	10
R901106671	040401048526000 VRFC-10A-V-26	10	10
R930055362	04040204854000A VRFD-10A-V-40	10	10
R930006093	040404045750000 VRFD-12A 1-50 L/min, Handknob	10	10
R901096083	040501008516000 DRFN-10A-16	10	10
R901096086	040501008530000 DRFN-10A-30	10	10
R930053926	04050200270400A DRFN-16A-04	10	10
R930053927	04050200270600A DRFN-16A-06	10	10
R930053928	04050200270900A DRFN-16A-09	10	10
R930053929	04050200271300A DRFN-16A-13	10	10
R930053931	04050200271600A DRFN-16A-16	10	10

1) "Shipment" defined as – not to exceed the time from receipt of order to Bosch Rexroth Hydraulics to shipment ex-factory (Bosch Rexroth plant location).

GoTo Focused Delivery Program: Compact Hydraulics

Logic element valves



Pressure compensator with load sense

Symbol	Type	Code	Max. Pressure PSI (bar)	Max. Flow GPM (L/min)	Cavity	Data Sheet
<p>VRLA-....-D</p> <p>VRLA-....-S</p>	VRLA-10A-D	048410X85Z	5000 (350)	12 (45)	CA-10A-2N	RE 18321-90
	VRLA-10A-S	0484090085Z	5000 (350)	12 (45)	CA-10A-2N	RE 18321-86
	VRLA-12A-D	048410X57Z	5000 (350)	26 (100)	CA-12A-2N	RE 18321-83
	VRLA-12A-S	0484090057Z	5000 (350)	26 (100)	CA-12A-2N	RE 18321-87
	VRLA-16A-D	048410X27Z	5000 (350)	42 (160)	CA-16A-2N	RE 18321-84
	VRLA-16A-S	0484090027Z	5000 (350)	42 (160)	CA-16A-2N	RE 18321-88
	VRLA-20A-D	048410X58Z	5000 (350)	60 (230)	CA-20A-2N	RE 18321-85
	VRLA-20A-S	0484090058Z	5000 (350)	60 (230)	CA-20A-2N	RE 18321-89

2-way pilot operated poppet type, normally open

Symbol	Type	Code	Max. Pressure PSI (bar)	Max. Flow GPM (L/min)	Cavity	Data Sheet
	VLSC-10A-8-TF	0484120085	5000 (350)	7 (25)	CA-10A-2N	RE 18321-71

Part Number	Description	Max. Quantity	Shipment (Business Days)
R930001079	048409002711000 VRLA-16A-11-S	10	10
R930001080	048409002722000 VRLA-16A-22-S	10	10
R930001081	048409005710000 VRLA-12A-10-S	10	10
R930001082	048409005812000 VRLA-20A-12-S	10	10
R930001191	048409008505000 VRLA-10A-05-S	10	10
R930001192	048409008510000 VRLA-10A-10-S	10	10
R930001084	048410052711000 VRLA-16A-11-D-05	10	10
R930001085	048410052722000 VRLA-16A-22-D-05	10	10
R930001086	048410055710000 VRLA-12A-10-D-05	10	10
R930001087	048410055812000 VRLA-20A-12-D-05	10	10
R930001089	048410075710000 VRLA-12A-10-D-07	10	10
R930001091	048410082711000 VRLA-16A-11-D-08	10	10
R930001092	048410082722000 VRLA-16A-22-D-08	10	10
R930001093	048410085812000 VRLA-20A-12-D-08	10	10
R930001196	048410088510000 VRLA-10A-10-D-08	10	10
R930001095	048410102711000 VRLA-16A-11-D-10	10	10
R930001096	048410102722000 VRLA-16A-22-D-10	10	10
R930001097	048410105710000 VRLA-12A-10-D-10	10	10
R930001098	048410105812000 VRLA-20A-12-D-10	10	10
R930000264	048412008508000 VLSC-10A-8-TF-08	10	10
R930000281	048412008512000 VLSC-10A-8-TF-12	10	10

1) "Shipment" defined as – not to exceed the time from receipt of order to Bosch Rexroth Hydraulics to shipment ex-factory (Bosch Rexroth plant location).

GoTo Focused Delivery Program: Compact Hydraulics

Solenoid on/off cartridges – 2-way pilot operated



2-way pilot operated poppet type, normally closed

Symbol	Type	Code	Max. Pressure PSI (bar)	Max. Flow GPM (L/min)	Cavity	Data Sheet
<div style="display: flex; justify-content: space-between;"> <div style="width: 30%;"> <p>▼ Version 1</p> </div> <div style="width: 30%;"> <p>▼ Version 2</p> </div> <div style="width: 30%;"> <p>▼ Version 3</p> </div> </div>	VEI-8A-06-NC	OD15XYZS	5000 (350)	up to 11 (40)	CA-08A-2N	RE 18323-02
<div style="display: flex; justify-content: space-between;"> <div style="width: 30%;"> <p>Version 1</p> </div> <div style="width: 30%;"> <p>Version 2</p> </div> <div style="width: 30%;"> <p>Version 3</p> </div> </div>	VEI-8A-10-NC	OD15X36YZ	5000 (350)	up to 18 (70)	CA-10A-2N	RE 18323-11
<div style="display: flex; justify-content: space-between;"> <div style="width: 30%;"> <p>▼ Version 05</p> </div> <div style="width: 30%;"> <p>▼ Version 03</p> </div> <div style="width: 30%;"> <p>▼ Version 31</p> </div> </div>	VEI-8A-12-NC	OD15X75YS0	5000 (350)	up to 40 (150)	CA-16A-2N	RE 18323-17
<div style="display: flex; justify-content: space-between;"> <div style="width: 30%;"> </div> <div style="width: 30%;"> </div> <div style="width: 30%;"> </div> </div>	VEI-7A-16-NC	OD150375Y00	5000 (350)	up to 53 (200)	CA-16A-2N	RA 00162-03

continued on next page

GoTo Focused Delivery Program: Compact Hydraulics

Solenoid on/off cartridges – 2-way pilot operated (continued)



2-way pilot operated poppet type, normally open

Symbol	Type	Code	Max. Pressure PSI (bar)	Max. Flow GPM (L/min)	Cavity	Data Sheet
▼ Version 1 ▼ Version 2 ▼ Version 3 	VEI-8A-06-NA	OD15XYZS0	5000 (350)	up to 11 (40)	CA-08A-2N	RE 18323-06
▼ Version 06 ▼ Version 04 ▼ Version 32 	VEI-8A-10-NA	OD15X36YS0	5000 (350)	up to 18 (70)	CA-10A-2N	RE 18323-12
▼ Version 1 ▼ Version 2 ▼ Version 3 	VEI-8A-16A-NA	OD15X75YS0	5000 (350)	up to 40 (150)	CA-16A-2N	RE 18323-18
▼ Version 06 ▼ Version 04 ▼ Version 32 	VEI-7A-16-NA	OD150375Y00	5000 (350)	up to 53 (200)	CA-16A-2N	RA 00162-03

Part Number	Description	Max. Quantity	Shipment (Business Days)
R901091112	OD1503183DS000 VEI-8A-2B-06.18K03.3DNCC218&	10	10
R901091113	OD1503363AS000 VEI-8A-2B-09.36K03.3ANCC222&	10	10
R934004878	OD1503363DS000 VEI-8A-2B-09.36K03.3DNCC222&	10	10
R901109957	OD150375750000 VEI-7A-2B-14.75K03.75NCL630&	10	10
R901109959	OD150375758000 VEI-7A-2B-14.M75K03.75NCL63&	10	10
R901091116	OD1503893AS000 VEI-8A-2B-12.89K03.3ANCC225&	10	10
R901091117	OD1503893DS000 VEI-8A-2B-12.89K03.3DNCC225&	10	10
R901094735	OD1505183CS000 VEI-8A-2A-06.18K05.3CNCC218&	10	10
R901087979	OD1505183DS000 VEI-8A-2A-06.18K05.3DNCC218&	10	10
R901090947	OD1505363AS000 VEI-8A-2A-09.36K05.3ANCC222S	10	10
R901080482	OD1505363DS000 VEI-8A-2A-09.36K05.3DNCC222&	10	10
R901094745	OD1505753AS000 VEI-8A-2A-12.75K05.3ANCC225S	10	10
R901094746	OD1505753DS000 VEI-8A-2A-12.75K05.3DNCC225&	10	10
R901109970	OD150575750000 VEI-7A-2A-14.75K05.75NCL630&	10	10
R901091127	OD1505893AS000 VEI-8A-2A-12.89K05.3ANCC225&	10	10
R901109982	OD1531183CS000 VEI-8A-2T-06.18K31.3CNCC218&	10	10
R901091164	OD1531183DS000 VEI-8A-2T-06.18K31.3DNCC218&	10	10
R901091167	OD1531363DS000 VEI-8A-2T-09.36K31.3DNCC222&	10	10
R901094747	OD1531753AS000 VEI-8A-2T-12.75K31.3ANCC225&	10	10
R901094748	OD1531753DS000 VEI-8A-2T-12.75K31.3DNCC225&	10	10
R901109986	OD153175750000 VEI-7A-2T-14.75K31.75NCL630&	10	10
R901109988	OD153175758000 VEI-7A-2T-14.M75K31.75NCL63&	10	10
R901091170	OD1531893DS000 VEI-8A-2T-12.89K31.3DNCC225&	10	10
R901091122	OD1504181BS000 VEI-8A-2B-06.18K04.1BNAC218&	10	10
R901091123	OD1504181CS000 VEI-8A-2B-06.18K04.1CNAC218&	10	10
R901091125	OD1504361BS000 VEI-8A-2B-09.36K04.1BNAC225&	10	10
R901091126	OD1504361CS000 VEI-8A-2B-09.36K04.1CNAC225&	10	10
R901094731	OD1504751AS000 VEI-8A-2B-12.75K04.1ANAC225&	10	10
R901109963	OD150475540000 VEI-7A-2B-14.75K04.54NAL630&	10	10
R901090961	OD1504891AS000 VEI-8A-2B-12.89K04.1ANAC225&	10	10
R901090960	OD1504891BS000 VEI-8A-2B-12.89K04.1BNAC225&	10	10
R934000831	OD1504891CS001 VEI-8A-2B-12.V89K04.1CNAC22&	10	10
R901091130	OD1506181AS000 VEI-8A-2A-06.18K06.1ANAC218S	10	10
R901091131	OD1506181BS000 VEI-8A-2A-06.18K06.1BNAC218&	10	10
R901091132	OD1506181CS000 VEI-8A-2A-06.18K06.1CNAC218&	10	10
R901091136	OD1506361BS000 VEI-8A-2A-09.36K06.1BNAC220&	10	10
R901095953	OD1506751AS000 VEI-8A-2A-12.75K06.1ANAC225S	10	10
R901095955	OD1506751BS000 VEI-8A-2A-12.75K06.1BNAC225&	10	10
R901095956	OD1506751CS000 VEI-8A-2A-12.75K06.1CNAC225&	10	10
R901109979	OD150675540000 VEI-7A-2A-14.75K06.54NAL630&	10	10
R901091139	OD1506891AS000 VEI-8A-2A-12.89K06.1ANAC225&	10	10
R901091140	OD1506891BS000 VEI-8A-2A-12.89K06.1BNAC225&	10	10
R901091141	OD1506891CS000 VEI-8A-2A-12.89K06.1CNAC225&	10	10
R901091171	OD1532181AS000 VEI-8A-2T-06.18K32.1ANAC220S	10	10
R901091173	OD1532181BS000 VEI-8A-2T-06.18K32.1BNAC218&	10	10
R901091174	OD1532181CS000 VEI-8A-2T-06.18K32.1CNAC218&	10	10
R901091175	OD1532361AS000 VEI-8A-2T-09.36K32.1ANAC220&	10	10
R901091176	OD1532361BS000 VEI-8A-2T-09.36K32.1BNAC220&	10	10

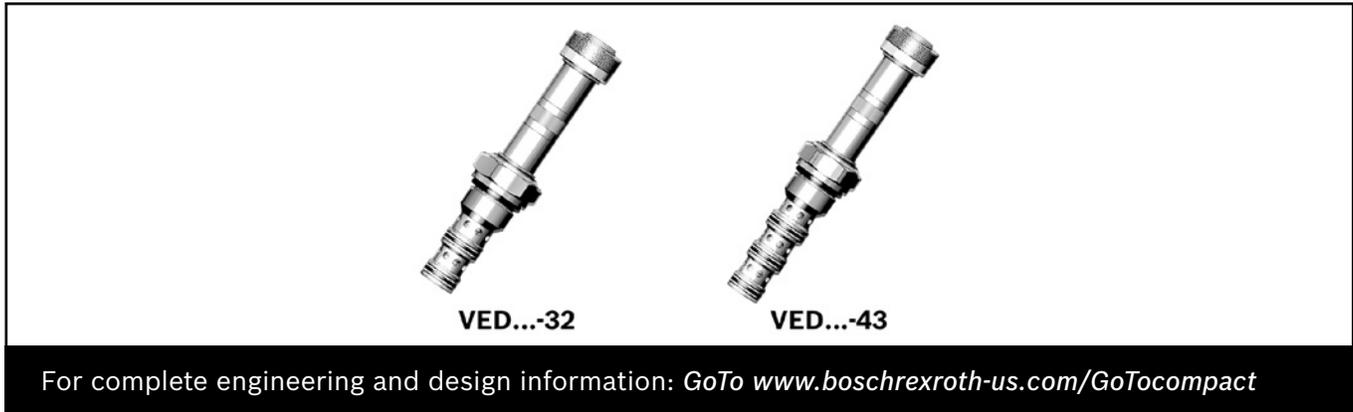
1) "Shipment" defined as – not to exceed the time from receipt of order to Bosch Rexroth Hydraulics to shipment ex-factory (Bosch Rexroth plant location).

Part Number	Description	Max. Quantity	Shipment (Business Days)
R901091178	OD1532361CS000 VEI-8A-2T-09.36K32.1CNAC220&	10	10
R901094753	OD1532751AS000 VEI-8A-2T-12.75K32.1ANAC225&	10	10
R901094754	OD1532751BS000 VEI-8A-2T-12.75K32.1BNAC225&	10	10
R901094755	OD1532751CS000 VEI-8A-2T-12.75K32.1CNAC225&	10	10
R901109991	OD153275540000 VEI-7A-2T-14.75K32.54NAL630&	10	10

1) "Shipment" defined as – not to exceed the time from receipt of order to Bosch Rexroth Hydraulics to shipment ex-factory (Bosch Rexroth plant location).

GoTo Focused Delivery Program: Compact Hydraulics

Solenoid directional cartridges



3-way, 2-position spool type, normally closed

Symbol	Type	Code	Max. Pressure PSI (bar)	Max. Flow GPM (L/min)	Cavity	Data Sheet
	VED-7I-32-09	OD131077Y00	3000 (210)	6 (20)	CA-10A-3N	RE 00162-02
	VED-8I-32-06	OD131051Y00	3000 (210)	3 (10)	CA-08A-3N	RE 00162-02

4-way, 2-position spool type, normally closed

Symbol	Type	Code	Max. Pressure PSI (bar)	Max. Flow GPM (L/min)	Cavity	Data Sheet
	VED-7I-42-09	OD144078Y00	3000 (210)	6 (20)	CA-10A-4N	RE 00162-02 (1.31.070.U)
	VED-8I-42-06	OD144058Y00	3000 (210)	3 (10)	CA-08A-4N	RE 00162-02 (1.31.050.U)
	VED-10A-42	OD1440787	3000 (210)	5 (20)	CA-10-4N	RE 18324-59

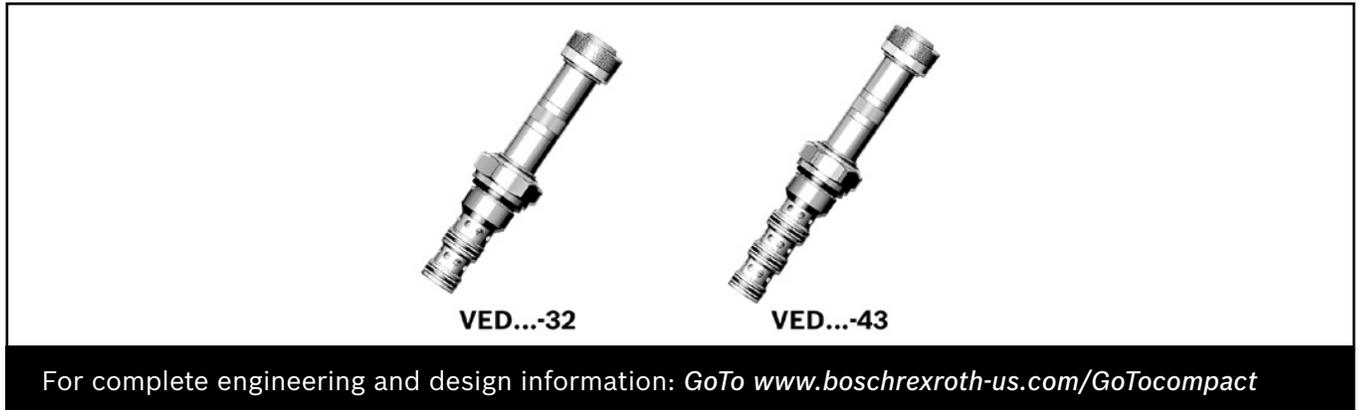
4-way, 3-position spool type, normally closed

Symbol	Type	Code	Max. Pressure PSI (bar)	Max. Flow GPM (L/min)	Cavity	Data Sheet
	VED-7I-43-09	OD143W78Y00	3000 (210)	6 (20)	CA-10A-4N	RE 00162-02
	VED-8I-43-06	OD143W58Y00	3000 (210)	3 (10)	CA-08A-4N	RE 00162-02

continued on next page

GoTo Focused Delivery Program: Compact Hydraulics

Solenoid directional cartridges (continued)



High-pressure relief, pilot operated

Symbol	Type	Code	Max. Pressure PSI (bar)	Max. Flow GPM (L/min)	Cavity	Data Sheet
	KBVS	n/a	5000 (350)	53 (200)	R/UNF-10-01-0-06	RE18160

Non-compensated flow regulator

Symbol	Type	Code	Max. Pressure PSI (bar)	Max. Flow GPM (L/min)	Cavity	Data Sheet
	VEP-5A-2Q-09	OD92X77YZ	3000 (210)	11 (40)	CA-10A-3N	RE 18323-63
	VEP-5A-2Q-09-NA	OD920277YZ	3000 (210)	11 (40)	CA-10A-3N	RE 18323-64
	VEP-5A-2Q-14	OD92X12Y00	3000 (210)	16 (60)	CA-12A-3N	RE 18323-62

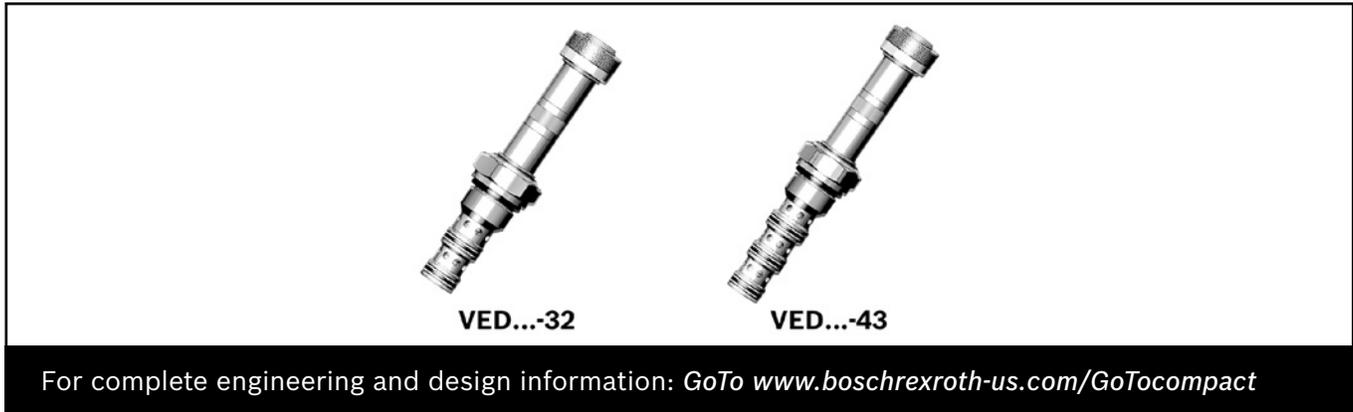
Non-compensated flow regulator, poppet type

Symbol	Type	Code	Max. Pressure PSI (bar)	Max. Flow GPM (L/min)	Cavity	Data Sheet
	VEPN-12A-16	OD9506897200	3000 (210)	16 (60)	CA-12A-2N	RE 18323-69

continued on next page

GoTo Focused Delivery Program: Compact Hydraulics

Solenoid directional cartridges (continued)



Pressure reducing, pilot operated

Symbol	Type	Code	Max. Pressure PSI (bar)	Max. Flow GPM (L/min)	Cavity	Data Sheet
	VEP-5A-2R-10	OD910677Y00	3000 (210)	16 (60)	CA-10A-3N	RE 18323-61

2-way double lock type

Symbol	Type	Code	Max. Pressure PSI (bar)	Max. Flow GPM (L/min)	Cavity	Data Sheet
	VEP-5A-2T-06	OD953118Y00	3000 (210)	5 (20)	CA-08A-2N	RE 18323-68

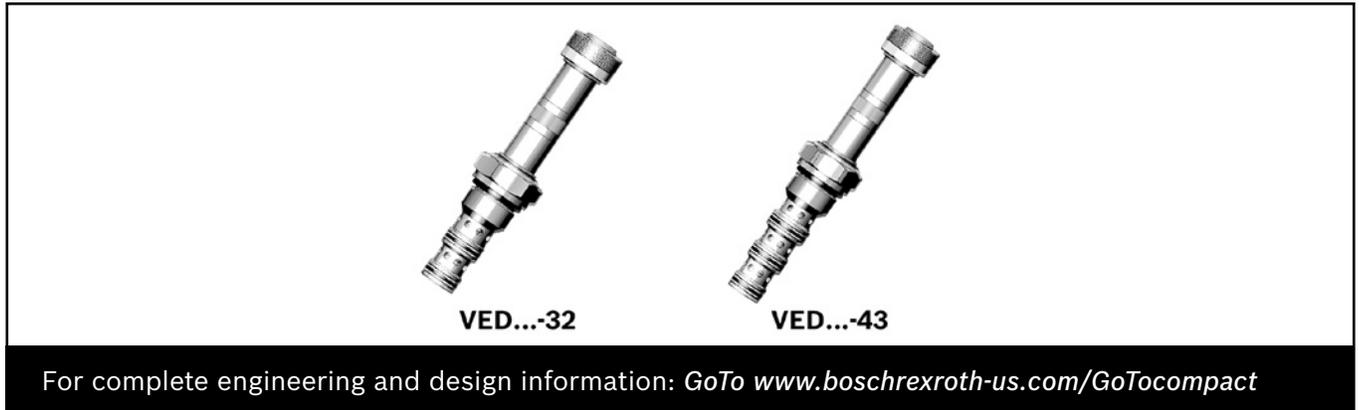
Pressure reducing, direct acting

Symbol	Type	Code	Max. Pressure PSI (bar)	Max. Flow GPM (L/min)	Cavity	Data Sheet
	VEP-5A-3R	OD910177Y00	3000 (210)	3 (10)	CA-10A-3N	RE 18323-60

continued on next page

GoTo Focused Delivery Program: Compact Hydraulics

Solenoid directional cartridges (continued)



Relief, direct acting

Symbol	Type	Code	Max. Pressure PSI (bar)	Max. Flow GPM (L/min)	Cavity	Data Sheet
	VEP-5B-2S-D	OD940118YZ	5000 (350)	1.3 (5)	CA-08A-2N	RE 18323-65

Relief, pilot operated

Symbol	Type	Code	Max. Pressure PSI (bar)	Max. Flow GPM (L/min)	Cavity	Data Sheet
	VEP-5B-2S-P	OD940561YZ	5000 (350)	40 (150)	Special, 065	RE 18323-67

Flow control with integrated pressure compensator

Symbol	Type	Code	Max. Pressure PSI (bar)	Max. Flow GPM (L/min)	Cavity	Data Sheet
	KUDSR	n/a	5000 (350)	32 (120)	R/UNF16-03-0-06	RE18702

Part Number	Description	Max. Quantity	Shipment (Business Days)
R901126872	OD131051400000 VED-8I-32-06.51K10.40NCC215&	10	10
R901113686	OD131077700000 VED-7I-32-09.77K10.70NCL625&	10	10
R901113687	OD131077710000 VED-7I-32-09.77K10.71NCL625&	10	10
R901126875	OD131151400000 VED-8I-32-06.51K11.40NCC215&	10	10
R901125116	OD131177700000 VED-7I-32-09.77K11.70NCL625&	10	10
R901126890	OD131177710000 VED-7I-32-09.77K11.71NCL625&	10	10
R901126892	OD132051300000 VED-8I-32-06.51K20.30NCC215&	10	10
R901126895	OD132051400000 VED-8I-32-06.51K20.40NCC215&	10	10
R901113690	OD132077700000 VED-7I-32-09.77K20.70NCL625&	10	10
R901113692	OD132077710000 VED-7I-32-09.77K20.71NCL625&	10	10
R901098192	OD133051300000 VED-8I-32-06.51K30.30NCC215&	10	10
R901126897	OD133051400000 VED-8I-32-06.51K30.40NCC215&	10	10
R901115704	OD133077700000 VED-7I-32-09.77K30.70NCL625&	10	10
R901126898	OD133077710000 VED-7I-32-09.77K30.71NCL625&	10	10
R901113693	OD144058300000 VED-8I-42-06.58K40.30NCC215&	10	10
R901126899	OD144058400000 VED-8I-42-06.58K40.40NCC215&	10	10
R901113699	OD144078710000 VED-7I-42-09.78K40.71NCL625&	10	10
R901126903	OD144158300000 VED-8I-42-06.58K41.30NCC215&	10	10
R901126906	OD144178700000 VED-7I-42-09.78K41.70NCL625&	10	10
R901126907	OD144178710000 VED-7I-42-09.78K41.71NCL625&	10	10
R901098194	OD143158440000 VED-8I-43-06.58K31.44NCD215&	10	10
R901113701	OD143178800000 VED-7I-43-09.78K31.80NCD620&	10	10
R901113703	OD143178810000 VED-7I-43-09.78K31.81NCD620&	10	10
R901113706	OD143278800000 VED-7I-43-09.78K32.80NCD620&	10	10
R901126908	OD143278810000 VED-7I-43-09.78K32.81NCD620&	10	10
R901325102	KBVSH1BA/FV	10	10
R901325105	KBVSL1BA/FV	10	10
R901325107	KBVSN1BA/FV	10	10
R901325111	KBVSR1BA/FV	10	10
R934001510	OD920277030100 VEP-5A-2Q-09.77K02.03NAP925&	10	10
R934001511	OD920277030200 VEP-5A-2Q-09.77K02.03NAP925&	10	10
R934003129	OD920277030300 VEP-5A-2Q-09.77K02.03NAP925&	10	10
R934001514	OD920312030000 VEP-5A-2Q-14.12K03.03NCP930&	10	10
R934001515	OD920312040000 VEP-5A-2Q-14.12K03.04NCP930&	10	10
R934001518	OD920377030100 VEP-5A-2Q-09.77K03.03NCP925&	10	10
R934001519	OD920377030200 VEP-5A-2Q-09.77K03.03NAP935&	10	10
R934001520	OD920377030300 VEP-5A-2Q-09.77K03.03NCP925&	10	10
R934001523	OD920512030000 VEP-5A-2Q-14.12K05.03NCP930&	10	10
R934003910	OD920512040000 VEP-5A-2Q-14.12K05.04NCP930&	10	10
R934001162	OD950689720000 VEPN-12A-16/25-070-Q6-N7	10	10
R901118933	OD910677030000 VEP-5A-2R-10.77K06.03NAP925&	10	10
R901126868	OD910677040000 VEP-5A-2R-10.77K06.04NAP925&	10	10
R901113761	OD953118030000 VEP-5A-2T-06.18K31.03NAP910&	10	10
R901126864	OD953118040000 VEP-5A-2T-06.18K31.04NAP910&	10	10
R934001495	OD910177030000 VEP-5A-3R-06.77K01.03NAP630&	10	10
R934003442	OD910177040000 VEP-5A-3R-06.77K01.04NAP630&	10	10
R934001496	OD910181030000 VEP-5A-3R-03.81K01.03NAP935&	10	10
R934001530	OD940118031000 VEP-5B-2S-10.18K01.03NAP925&	10	10

1) "Shipment" defined as – not to exceed the time from receipt of order to Bosch Rexroth Hydraulics to shipment ex-factory (Bosch Rexroth plant location).

Part Number	Description	Max. Quantity	Shipment (Business Days)
R934001531	OD940118032000 VEP-5B-2S-20.18K01.03NAP925&	10	10
R934001532	OD940118033500 VEP-5B-1S-35.18K01.03NAP925&	10	10
R934001533	OD940118041000 VEP-5B-2S-10.18K01.04NAP925&	10	10
R934001534	OD940118042000 VEP-5B-2S-20.18K01.04NAP925&	10	10
R934001535	OD940118043500 VEP-5B-1S-35.18K01.04NAP925&	10	10
R934001536	OD940536031000 VEP-5B-2S-10.36K05.03NAP925&	10	10
R934001537	OD940536032000 VEP-5B-2S-20.36K05.03NAP925&	10	10
R934001538	OD940536033500 VEP-5B-2S-35.36K05.03NAP925&	10	10
R934001539	OD940536041000 VEP-5B-2S-10.36K05.04NAP925&	10	10
R934001540	OD940536042000 VEP-5B-2S-20.36K05.04NAP925&	10	10
R934003877	OD940536043500 VEP-5B-2S-35.36K05.04NAP925&	10	10
R901287409	KUDSR3C1A/FN9V	10	10
R901265879	KUDSR3C2A/FN9V	10	10
R901255657	KUDSR3CA/FN9V	10	10

1) "Shipment" defined as – not to exceed the time from receipt of order to Bosch Rexroth Hydraulics to shipment ex-factory (Bosch Rexroth plant location).

GoTo Focused Delivery Program: Compact Hydraulics

Line bodies



For complete engineering and design information: GoTo www.boschrexroth-us.com/GoTocompact

Common Cavity

Material	Ports (SAE)	Cavity	Max. Pressure PSI (bar)	Part Number	Description	Data Sheet
Aluminum	6	8-2N	3000 (210)	R978032340	CB08-2N-A/S06	RE 18325-86
Aluminum	6	8-3N	3000 (210)	R978032341	CB08-3N-A/S06	
Aluminum	8	10-2N	3000 (210)	R978032348	CB10-2N-A/S08	
Aluminum	8	10-3N	3000 (210)	R978032349	CB10-3N-A/S08	
Aluminum	8	10-4N	3000 (210)	R978032351	CB10-4N-A/S08	
Aluminum	12	16-2N	3000 (210)	R978032360	CB16-2N-A/S12	
Ductile Iron	6	8-2N	5000 (350)	R978032344	CB08-2N-D/S06	
Ductile Iron	6	8-3N	5000 (350)	R978032345	CB08-3N-D/S06	
Ductile Iron	8	10-2N	5000 (350)	R978032352	CB10-2N-D/S08	
Ductile Iron	8	10-3N	5000 (350)	R978032353	CB10-3N-D/S08	
Ductile Iron	8	10-4N	5000 (350)	R978032355	CB10-4N-D/S08	
Ductile Iron	12	16-2N	5000 (350)	R978032362	CB16-2N-D/S12	

Sun Cavity

Material	Ports	Cavity	Max. Pressure PSI (bar)	Part Number	Description	Data Sheet
Aluminum	10	T-2A	3000 (210)	R978041749	CBDT-2A-A/S10	RE 18325-86
Aluminum	10	T-2A	3000 (210)	R978041744	CBT-2A-A/S10	
Aluminum	8	T-11A	3000 (210)	R978012829	CBT-11A-A/S08	
Aluminum	8	T-11A	3000 (210)	R978041747	CBDT-11A-A/S08	
Ductile Iron	10	T-2A	5000 (350)	R978041750	CBDT-2A-D/S10	
Ductile Iron	10	T-2A	5000 (350)	R978041745	CBT-2A-D/S10	
Ductile Iron	8	T-11A	5000 (350)	R978041748	CBDT-11A-D/S08	
Ductile Iron	8	T-11A	5000 (350)	R978012838	CBT-11A-D/S08	

Note: Ductile iron bodies include RoHS compliant yellow zinc plating.

Part Number	Description	Max. Quantity	Shipment (Business Days)
R978032340	CB08-2N-A/S06	10	10
R978032341	CB08-3N-A/S06	10	10
R978032348	CB10-2N-A/S08	10	10
R978032349	CB10-3N-A/S08	10	10
R978032351	CB10-4N-A/S08	10	10
R978032360	CB16-2N-A/S12	10	10
R978032344	CB08-2N-D/S06	10	10
R978032345	CB08-3N-D/S06	10	10
R978032352	CB10-2N-D/S08	10	10
R978032353	CB10-3N-D/S08	10	10
R978032355	CB10-4N-D/S08	10	10
R978032362	CB16-2N-D/S12	10	10
R978041747	CBDT-11A-A/S08	10	10
R978041749	CBDT-2A-A/S10	10	10
R978012829	CBT-11A-A/S08	10	10
R978041744	CBT-2A-A/S10	10	10
R978041748	CBDT-11A-D/S08	10	10
R978041750	CBDT-2A-D/S10	10	10
R978012838	CBT-11A-D/S08	10	10
R978041745	CBT-2A-D/S10	10	10

1) "Shipment" defined as – not to exceed the time from receipt of order to Bosch Rexroth Hydraulics to shipment ex-factory (Bosch Rexroth plant location).

GoTo Focused Delivery Program: Compact Hydraulics

Cartridge accessories



For complete engineering and design information: GoTo www.boschrexroth-us.com/GoTocompact

Applicable Valves	Voltage (V)	Connector Type	Material Description	Material No.
R7, On/Off Coil	12 VDC	DIN plug	OD02210130OB00 R7-HRL-12VDC-18W-CL.H	R934001302
R7, On/Off Coil	12 VDC	DEUTSCH DT04-2P-V	OD0221203POB00 R7-DTV-12VDC-18W-CL.H	R934003919
S5, On/Off Coil	12 VDC	DIN plug	OD02090130OB01 S5L35HRL-12VDC-23W-CL.-H	R901090827
S5, On/Off Coil	24 VDC	DIN plug	OD02090130OC01 S5L45HRL-24VDC-23W-CL.-H	R901090828
S5, On/Off Coil	12 VDC	DEUTSCH DT04-2P-V	OD0209203POB01 S5L45DTV-12VDC-23W-CL.H	R901110011
S5, On/Off Coil	12 VDC	DEUTSCH DT04-2P-V	OD0209223POB01 S5L45DTV-12VDC-23W-DIODE&	R901090829
S5, On/Off Coil	24 VDC	DEUTSCH DT04-2P-V	OD0209223POC01 S5L45DTV-24VDC-23W-DIODE&	R901110013
S7, On/Off Coil	12 VDC	DIN plug	OD02070130OB02 S7L36HRL-12VDC 30W CLAS H	R901090824
S7, On/Off Coil	24 VDC	DIN plug	OD02070130OC02 S7L36HRL-24VDC 30W CLAS H	R901090825
S7, On/Off Coil	110 VRAC	DIN plug	OD02070130OW02 S7L36HRL-110VRAC 30W CL.H	R934003806
S7, On/Off Coil	12 VDC	DEUTSCH DT04-2P-L	OD02072230OB02 S7L36DTL12VDC30WDIOD CL.H	R901094595
S7, On/Off Coil	24 VDC	DEUTSCH DT04-2P-L	OD02072230OC02 S7L36DTL-24VDC 30W DIOD	R901094597
All sizes of poppet cartridges & S8 spool cartridges	14 VDC	DIN plug	OD02170130OG00 S8.356HRL-14DC-20W-CL.H	R901144215
All sizes of poppet cartridges & S8 spool cartridges	24 VRAC	DIN plug	OD02170130OV00 S8.356HRL-24RAC-20W-CL.H	R901090820
All sizes of poppet cartridges & S8 spool cartridges	12 VDC	AMP JUNIOR	OD02170730OB00 S8.356AJL-12DC-20W-CL.H	R901094604

Note: Connector for 110VAC coils is available separately, material no. R934004352.

GoTo Focused Delivery Program: Compact Hydraulics

Cartridge accessories (continued)

Applicable Valves	Voltage (V)	Connector Type	Material Description	Material No.
All sizes of poppet cartridges & S8 spool cartridges	24 VDC	AMP JUNIOR	OD02170730OC00 S8.356AJL-24DC-20W-CL.H	R901094607
All sizes of poppet cartridges & S8 spool cartridges	24 VDC	SINGLE LEAD	OD02170G03OC00 S8.356GNL-24DC-20W-L300-&	R901100775
All sizes of poppet cartridges & S8 spool cartridges	12 VDC	SINGLE LEAD	OD02170H03OB00 S8.356GNL-12DC-20W-L300-&	R901130402
All sizes of poppet cartridges & S8 spool cartridges	24 VDC	SINGLE LEAD	OD02170H03OC00 S8.356GNL.24DC 20W L300 D	R901130404
All sizes of poppet cartridges & S8 spool cartridges	12 VDC	DIN plug	OD02171430OB00 S8.356HRL-12DC-20W-DIODE&	R901131889
All sizes of poppet cartridges & S8 spool cartridges	26 VDC	AMP JUNIOR	OD02171530AC00 S8.356AJL-26DC-20W-DIODE&	R901133139
All sizes of poppet cartridges & S8 spool cartridges	12 VDC	AMP JUNIOR	OD02171530OB00 S8.356AJL-12DC-20W-DIODE&	R901111032
All sizes of poppet cartridges & S8 spool cartridges	24 VDC	AMP JUNIOR	OD02171530OC00 S8.356AJL-24DC-20W-DIODE&	R901125292
All sizes of poppet cartridges & S8 spool cartridges	12 VDC	DEUTSCH DT04-2P-L	OD02172030OB00 S8.356DTL-12DC-20W-CL.H	R901094609
All sizes of poppet cartridges & S8 spool cartridges	24 VDC	DEUTSCH DT04-2P-L	OD02172030OC00 S8.356DTL-24DC-20W-CL.H	R901094611
All sizes of poppet cartridges & S8 spool cartridges	24 VDC	DEUTSCH DT04-2P-V	OD0217203POC00 S8.356DTV-24DC-20W-CL.H	R901110015
All sizes of poppet cartridges & S8 spool cartridges	26 VDC	DEUTSCH DT04-2P-L	OD02172230AC00 S8.356DTL-26DC-20W-DIODE&	R934000426
All sizes of poppet cartridges & S8 spool cartridges	24 VDC	DEUTSCH DT04-2P-L	OD02172230OC00 S8.356DTL-24DC-20W-DIODE&	R901130401
All sizes of poppet cartridges & S8 spool cartridges	12 VDC	AMP SUPERSEAL-V	OD0217303POB00 S8.356ASV-12DC-20W-CL.H	R901110016
All sizes of poppet cartridges & S8 spool cartridges	24 VDC	AMP SUPERSEAL-V	OD0217303POC00 S8.356ASV-24DC-20W-CL.H	R901110017
All sizes of poppet cartridges & S8 spool cartridges	12 VDC	DEUTSCH DT04-2P-V	OD0217203POB00 S8356DTV.12DC 20W CL.H	R901110014
All sizes of poppet cartridges & S8 spool cartridges	14 VDC	AMP JUNIOR	OD02170730OG00 S8.356AJL-14DC-20W-CL.H	R934000498
All sizes of poppet cartridges & S8 spool cartridges	26 VDC	AMP JUNIOR	OD02170730AC00 S8.356AJL-26DC-20W-CL.H	R934000494
All sizes of poppet cartridges & S8 spool cartridges	12 VDC	AMP SUPERSEAL-V	OD0217323POB00 S8.356ASV-12DC-20W-DIODE-CL.H	R934000519
All sizes of poppet cartridges & S8 spool cartridges	26 VDC	AMP SUPERSEAL-V	OD0217303PAC00 S8.356ASV-26DC-20W-CL.H	R934000516
All sizes of poppet cartridges & S8 spool cartridges	26 VDC	DEUTSCH DT04-2P-V	OD0217223POB00 S8.356DTV-26DC-20W-DIODE-CL.H	R934003034

Note: Connector for 110VAC coils is available separately, material no. R934004352.

Part Number	Description	Max. Quantity	Shipment (Business Days)
R901090824	OD02070130OB02 S7L36HRL 12VDC 30W CLAS H	10	10
R901090825	OD02070130OC02 S7L36HRL 24VDC 30W CLAS H	10	10
R934003806	OD02070130OW02 S7L36HRL 110VRAC 30W CL.H	10	10
R901094595	OD02072230OB02 S7L36DTL12VDC30WDIOD CL.H	10	10
R901094597	OD02072230OC02 S7L36DTL 24VDC 30W DIOD	10	10
R901090827	OD02090130OB01 S5L35HRL-12VDC-23W-CL.-H	10	10
R901090828	OD02090130OC01 S5L45HRL-24VDC-23W-CL.-H	10	10
R901110011	OD0209203POB01 S5L45DTV-12VDC-23W-CL.H	10	10
R901090829	OD0209223POB01 S5L45DTV-12VDC-23W-DIODE&	10	10
R901110013	OD0209223POC01 S5L45DTV-24VDC-23W-DIODE&	10	10
R901144215	OD02170130OG00 S8.356HRL-14DC-20W-CL.H	10	10
R901090820	OD02170130OV00 S8.356HRL-24RAC-20W-CL.H	10	10
R901094604	OD02170730OB00 S8.356AJL-12DC-20W-CL.H	10	10
R901094607	OD02170730OC00 S8.356AJL-24DC-20W-CL.H	10	10
R901100775	OD02170G03OC00 S8.356GNL-24DC-20W-L300-&	10	10
R901130402	OD02170H03OB00 S8.356GNL-12DC-20W-L300-&	10	10
R901130404	OD02170H03OC00 S8.356GNL.24DC 20W L300 D	10	10
R901131889	OD02171430OB00 S8.356HRL-12DC-20W-DIODE&	10	10
R901133139	OD02171530AC00 S8.356AJL-26DC-20W-DIODE&	10	10
R901111032	OD02171530OB00 S8.356AJL-12DC-20W-DIODE&	10	10
R901125292	OD02171530OC00 S8.356AJL-24DC-20W-DIODE&	10	10
R901094609	OD02172030OB00 S8.356DTL-12DC-20W-CL.H	10	10
R901094611	OD02172030OC00 S8.356DTL-24DC-20W-CL.H	10	10
R901110014	OD0217203POB00 S8356DTV.12DC 20W CL.H	10	10
R901110015	OD0217203POC00 S8.356DTV-24DC-20W-CL.H	10	10
R901130401	OD02172230OC00 S8.356DTL-24DC-20W-DIODE&	10	10
R901110016	OD0217303POB00 S8.356ASV-12DC-20W-CL.H	10	10
R901110017	OD0217303POC00 S8.356ASV-24DC-20W-CL.H	10	10
R934001302	OD02210130OB00 R7-HRL-12VDC-18W-CL.H	10	10
R934003919	OD0221203POB00 R7-DTV-12VDC-18W-CL.H	10	10
R934000498	S8.356AJL-14DC-20W-CL.H	10	10
R934000494	S8.356AJL-26DC-20W-CL.H	10	10
R934000519	S8.356ASV-12DC-20W-DIODE-CL.H	10	10
R934000516	S8.356ASV-26DC-20W-CL.H	10	10
R934003034	S8.356DTV-26DC-20W-DIODE-CL.H	10	10

1) "Shipment" defined as – not to exceed the time from receipt of order to Bosch Rexroth Hydraulics to shipment ex-factory (Bosch Rexroth plant location).

GoTo Focused Delivery Program: Compact Hydraulics

Flow diverters



3-way, 2-position directional spool valve, direct acting

Symbol	Type	Code	Max. Pressure PSI (bar)	Max. Flow GPM (L/min)	Ports	Data Sheet
 3N =	L706...	VS95	3625 (250)	37 (140)	1 1/16"-12 UN-2B (SAE12)	RE 18302-03

6-way, 2-position directional spool valve, direct acting

Symbol	Type	Code	Max. Pressure PSI (bar)	Max. Flow GPM (L/min)	Ports	Data Sheet
 6B	L732...	VS245F1	3625 (250)	13 (50)	3/4"-16 UNF (SAE8)	RE 18302-09
	L745...	VS285F1	3625 (250)	24 (90)	7/8-14 UNF (SAE10)	RE 18302-10

Part Number	Description	Max. Quantity	Shipment (Business Days)
R933001723	L706E143NIOB070-SE.VS95-SAE12-DZ-AN-DI-&	10	10
R933000010	L732C116BIOB010-S.VS245F1-SAE8-DZ-P1C1N&	10	10
R933000013	L745D136BIO0000-KS.VS285F1-SAE10-DZ-P1C&	10	10
R933002063	L745D136BIOB070-S.VS285F1-SAE10-DZ-P1C1&	10	10

1) "Shipment" defined as – not to exceed the time from receipt of order to Bosch Rexroth Hydraulics to shipment ex-factory (Bosch Rexroth plant location).

GoTo Focused Delivery Program: Compact Hydraulics

Inlet plate – basic

TA-00

	<p>The inlet elements TA-00-__ are employed to connect the external P, T lines to the P, T channels inside the ED elements of the Directional Valve Assembly and to connect to the LS ports of the elements equipped with LS channels.</p> <p>For complete engineering and design information: GoTo www.boschrexroth-us.com/GoTocompact</p>
---	--

Features

- Port sizes: P and T – SAE 8; LS and G – SAE 4
- Includes a test point port “G” for pressure gauge connection
- Special plating and coating available, C.F.

Detailed information:
• RA18300-01

Technical Data

Maximum pressure	bar (psi)	210 (3000)*
Maximum inlet flow	l/min (GPM)	60 (15)
Material		Aluminum
Seals		NBR
Fluid temperature	°C (°F)	-20 to +80 (-4 to +176)

*For higher pressure, C.F.

Part Number	Description	Max. Quantity	Shipment (Business Days)
R987271816	TA0056	10	10

1) “Shipment” defined as – not to exceed the time from receipt of order to Bosch Rexroth Hydraulics to shipment ex-factory (Bosch Rexroth plant location).

GoTo Focused Delivery Program: Compact Hydraulics

Inlet plate – relief

TA-04



The inlet elements TA-04-__ are employed to connect the external P, T lines to the P, T channels inside the ED elements of the Directional Valve Assembly and to connect to the LS ports of the elements equipped with LS channels. They incorporate a pressure relief cartridge which limits the maximum primary pressure in the P line and unloads any excess flow to the tank.

For complete engineering and design information:
GoTo www.boschrexroth-us.com/GoToCompact

Features

- Port sizes: P and T – SAE 8; LS and G – SAE 4
- Special plating and coating available, C.F.

Detailed information:
• RE18300-02

Technical Data

Maximum pressure	bar (psi)	210 (3000)*
Maximum inlet flow	l/min (GPM)	60 (15)
Material		Aluminum
Seals		NBR
Fluid temperature	°C (°F)	-20 to +80 (-4 to +176)

*For higher pressure, C.F.

Part Number	Description	Max. Quantity	Shipment (Business Days)
R987271818	TA04562D	10	10
R987271821	TA04562P	10	10
R987271819	TA04563D	10	10
R987271822	TA04563P	10	10

1) "Shipment" defined as – not to exceed the time from receipt of order to Bosch Rexroth Hydraulics to shipment ex-factory (Bosch Rexroth plant location).

GoTo Focused Delivery Program: Compact Hydraulics

Inlet plate – relief and dump

TA-05



The inlet elements TA-05-__ are employed to connect the external P and T lines to the P and T channels inside the ED elements of the Directional Valve Assembly. They incorporate a pressure relief cartridge which limits the primary pressure in the P line. The relief setting can be checked through the Test Point port G.

When fitted, the Normally Open Solenoid Unloading VEI Cartridge unloads to Tank all the P line flow; unloading stops when the cartridge coil is energized.

For complete engineering and design information:
GoTo www.boschrexroth-us.com/GoTocompact

Features

- Port sizes: P and T – SAE 8; LS and G – SAE 4
- Ports LS and G are provided with plugs
- Special plating and coating available, C.F.

Detailed information:

- RA18300-05

Technical Data

Maximum pressure	bar (psi)	210 (3000)*
Maximum inlet flow	l/min (GPM)	60 (15)
Material		Aluminum
Seals		Buna N (NBR)
Fluide temperature	°C (°F)	-20 to +80 (-4 to +176)

*For higher pressure, C.F.

Part Number	Description	Max. Quantity	Shipment (Business Days)
R987271828	TA05562D0000A	10	10
R987271843	TA05562P0000A	10	10
R987271833	TA05563D0000A	10	10

1) "Shipment" defined as – not to exceed the time from receipt of order to Bosch Rexroth Hydraulics to shipment ex-factory (Bosch Rexroth plant location).

GoTo Focused Delivery Program: Compact Hydraulics

Inlet plate – compensator

TA-06



The inlet elements TA-06-__ are employed to connect the external P, T lines to the P, T channels inside the ED elements of the Directional Valve Assembly and to connect to the LS ports of the elements equipped with LS channels. An LS controlled 3-way compensator provides pressure compensated flow to the ED elements of the Directional Valve Assembly. The same 3-way compensator is also controlled by a pilot relief cartridge and unloads to tank any excess flow in order to limit the primary pressure in the system.

For complete engineering and design information:
GoTo www.boschrexroth-us.com/GoToCompact

Features

- Port sizes: P and T – SAE 8; LS and G – SAE 4
- Ports LS and G are provided with plugs
- Special plating and coating available, C.F.

Detailed information:

- RA18300-06

Technical Data

Maximum pressure	bar (psi)	210 (3000)*
Maximum inlet flow	l/min (GPM)	60 (15)
Material		Aluminum
Seals		Buna N (NBR)
Fluid temperature	°C (°F)	-20 to +80 (-4 to +176)

*For higher pressure, C.F.

Part Number	Description	Max. Quantity	Shipment (Business Days)
R987280652	TA06562D140	10	10
R987391834	TA06562D170	10	10
R987280653	TA06563D140	10	10
R978056725	TA06563D170	10	10

1) "Shipment" defined as – not to exceed the time from receipt of order to Bosch Rexroth Hydraulics to shipment ex-factory (Bosch Rexroth plant location).

GoTo Focused Delivery Program: Compact Hydraulics

Inlet plate – compensator

TA-10



The inlet elements TA-10-__ are employed to connect the external P, T lines to the P, T channels inside the ED elements of the Directional Valve Assembly and to connect to the LS ports of the ED elements equipped with LS channels. The main functions are: to limit the maximum primary pressure in the P line and to supply proportional pressure compensated flow the ED elements of the Directional Valve Assembly.

For complete engineering and design information:
GoTo www.boschrexroth-us.com/GoTocompact

Features

- Port sizes: P and T – SAE 8; LS and G – SAE 4
- Ports LS and G are provided with plugs
- Special plating and coating available, C.F.

Detailed information:
• RA18300-09

Technical Data

Maximum pressure	bar (psi)	210 (3000)*
Maximum inlet flow	l/min (GPM)	40 (11)
Material		Aluminum
Seals		Buna N (NBR)
Fluide temperature	°C (°F)	-20 to +80 (-4 to +176)

*For higher pressure, C.F.

Part Number	Description	Max. Quantity	Shipment (Business Days)
R987280675	TA10562D0000A01L	10	10
R987280678	TA10562D0000A02L	10	10
R987280681	TA10562D0000A03L	10	10

1) "Shipment" defined as – not to exceed the time from receipt of order to Bosch Rexroth Hydraulics to shipment ex-factory (Bosch Rexroth plant location).

GoTo Focused Delivery Program: Compact Hydraulics

4/3 Directional valve elements

B8_05... (EDBY)



Directional valve elements B8_05... are compact direct-operated solenoid valves that control the start, stop and direction of oil flow. These elements consist of a stackable housing with a control spool, one or two solenoids, and one or two return springs.

For complete engineering and design information:
GoTo www.boschrexroth-us.com/GoTocompact

Features

- Valve elements with 4 ways and 3, or 2, positions
- Control spools directly operated by screwed-in solenoids with extractable coils
- In the de-energized condition, the control spool is held in the central position by return springs
- Wet pin tubes for DC coils, with push rod for mechanical override; burnish surface treatment

Detailed information:

- RA18300-50

Technical Data

General		
Weight (valve element with 2 solenoids)	kg (lbs)	1.2 (2.65)
Weight (valve element with 1 solenoid)	kg (lbs)	1.0 (2.20)
Ambient Temperature	°C (°F)	-20....+50 (-4....+120) [NBR seals]
Hydraulic		
Maximum pressure (P, A, and B ports)	bar (psi)	250 (3600)
Maximum dynamic pressure (T)	bar (psi)	150 (2176)
Maximum static pressure (T)	bar (psi)	210 (3045)
Maximum inlet flow	l/min (GPM)	15 (4)
Hydraulic fluid General properties: it must have physical lubricating and chemical properties suitable for use in hydraulic systems such as, for example:		Mineral oil based hydraulic fluids HL (DIN 51524 part 1). Mineral oil based hydraulic fluids HLP (DIN 51524 part 2). For use of environmentally acceptable fluids (vegetable or polyglycol base) please consult us.
Fluid Temperature	°C (°F)	-20....+80 (-4....+176) [NBR seals]
Permissible degree of fluid contamination		ISO 4572: $\beta_{x \geq 75} X=12...15$ ISO 4406: classe 20/18/15 NAS 1638: classe 9
Viscosity range	mm ² /s	5....420

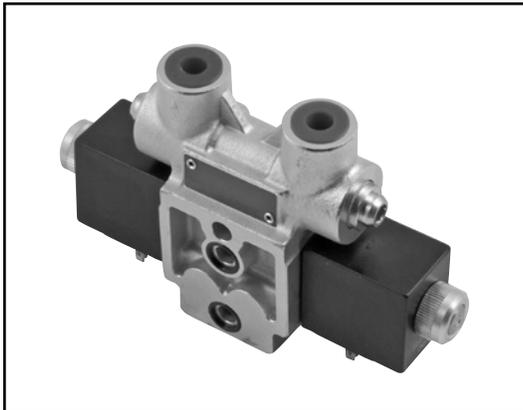
1) "Shipment" defined as – not to exceed the time from receipt of order to Bosch Rexroth Hydraulics to shipment ex-factory (Bosch Rexroth plant location).

Part Number	Description	Max. Quantity	Shipment (Business Days)
R933003641	B8005A2010000B000 EDB-Y	10	10
R933003621	B8005B2010000B000 EDB-Y	10	10
R933003622	B8005E2010000B000 EDB-Y	10	10
R933003643	B8005Y3010000B000 EDB-Y	10	10

1) "Shipment" defined as – not to exceed the time from receipt of order to Bosch Rexroth Hydraulics to shipment ex-factory (Bosch Rexroth plant location).

GoTo Focused Delivery Program: Compact Hydraulics

4/3 Directional valve elements, with PO check valves B8_45... (EDBY-VR)



Directional valve elements B8_48... are very compact direct operated solenoid valves which control the start, stop and direction of the oil flow. They consist of a stackable housing with a control spool, two solenoids and two return springs. The PO check valves consist of two calibrated balls with return springs which allow upstream flow, but lock on the respective seats and prevent the return flow. The return flow is possible when they are opened by the pilot piston, if enough pilot pressure is present in the opposite line.

For complete engineering and design information:
GoTo www.boschrexroth-us.com/GoToCompact

Features

- Valve elements with 4 ways and 3 positions
- Control spools directly operated by screwed-in solenoids with extractable coils
- In the de-energized condition, the control spool is held in the central position by return springs
- Wet pin tubes for DC coils, with push rod for mechanical override; burnish surface treatment

Detailed information:

- RA18300-51

Technical Data

General		
Weight	kg (lbs)	1.6 (3.5)
Ambient Temperature	°C (°F)	-20....+50 (-4....+120) [NBR seals]
Hydraulic		
Maximum pressure (P, A, and B ports)	bar (psi)	250 (3600)
Maximum dynamic pressure (T)	bar (psi)	150 (2176)
Maximum static pressure (T)	bar (psi)	210 (3045)
Maximum inlet flow	l/min (GPM)	15 (4)
Hydraulic fluid General properties: it must have physical lubricating and chemical properties suitable for use in hydraulic systems such as, for example:		Mineral oil based hydraulic fluids HL (DIN 51524 part 1). Mineral oil based hydraulic fluids HLP (DIN 51524 part 2). For use of environmentally acceptable fluids (vegetable or polyglycol base) please consult us.
Fluid Temperature	°C (°F)	-20....+80 (-4....+176) [NBR seals]
Permissible degree of fluid contamination		ISO 4572: $\beta_{x \geq 75} X=12...15$ ISO 4406: classe 20/18/15 NAS 1638: classe 9
Viscosity range	mm ² /s	5....420

Part Number	Description	Max. Quantity	Shipment (Business Days)
R933003656	B8045B2010000B330 EDB-Y-VR	10	10
R933003658	B8045E2010000B330 EDB-Y-VR	10	10

1) "Shipment" defined as – not to exceed the time from receipt of order to Bosch Rexroth Hydraulics to shipment ex-factory (Bosch Rexroth plant location).

GoTo Focused Delivery Program: Compact Hydraulics

4/3 Directional valve elements

B8_08... (EDBZ)



Directional valve elements B8_48... are very compact direct operated solenoid valves which control the start, stop and direction of the oil flow. They consist of a stackable housing with a control spool, two solenoids and two return springs. The PO check valves consist of two calibrated balls with return springs which allow upstream flow, but lock on the respective seats and prevent the return flow. The return flow is possible when they are opened by the pilot piston, if enough pilot pressure is present in the opposite line.

For complete engineering and design information:
GoTo www.boschrexroth-us.com/GoToCompact

Features

- Valve elements with 4 ways and 3 positions
- Control spools directly operated by screwed-in solenoids with extractable coils
- In the de-energized condition, the control spool is held in the central position by return springs
- Wet pin tubes for DC coils, with push rod for mechanical override; burnish surface treatment

Detailed information:

- RA18300-52

Technical Data

General		
Weight (valve element with 2 solenoids)	kg (lbs)	1.34 (2.95)
Weight (valve element with 1 solenoid)	kg (lbs)	1.06 (2.34)
Ambient Temperature	°C (°F)	-20....+50 (-4....+120) [NBR seals]
Hydraulic		
Maximum pressure (P, A, and B ports)	bar (psi)	310 (4500)
Maximum dynamic pressure (T)	bar (psi)	180 (2610)
Maximum static pressure (T)	bar (psi)	210 (3045)
Maximum inlet flow	l/min (GPM)	25 (6.6)
Hydraulic fluid General properties: it must have physical lubricating and chemical properties suitable for use in hydraulic systems such as, for example:		Mineral oil based hydraulic fluids HL (DIN 51524 part 1). Mineral oil based hydraulic fluids HLP (DIN 51524 part 2). For use of environmentally acceptable fluids (vegetable or polyglycol base) please consult us.
Fluid Temperature	°C (°F)	-20....+80 (-4....+176) [NBR seals]
Permissible degree of fluid contamination		ISO 4572: $\beta_{x \geq 75} X=12...15$ ISO 4406: classe 20/18/15 NAS 1638: classe 9
Viscosity range	mm ² /s	5....420

Part Number	Description	Max. Quantity	Shipment (Business Days)
R930055574	B8008A2010000B000-KE.EDB-Z-SAE6-A201-N	10	10
R933006754	B8008B2010000B000-KE.EDB-Z-SAE6-B201-N	10	10
R930055576	B8008E2010000B000-KE.EDB-Z-SAE6-E201-N	10	10
R930053105	B8008Y3010000B000 EDB-Z	10	10

1) "Shipment" defined as – not to exceed the time from receipt of order to Bosch Rexroth Hydraulics to shipment ex-factory (Bosch Rexroth plant location).

GoTo Focused Delivery Program: Compact Hydraulics

4/3 Directional valve elements, with PO check valves B8_48 (EDBZ-VR)



Directional valve elements B8_48... are very compact direct operated solenoid valves which control the start, stop and direction of the oil flow. They consist of a stackable housing with a control spool, two solenoids and two return springs. The PO check valves consist of two calibrated balls with return springs which allow upstream flow, but lock on the respective seats and prevent the return flow. The return flow is possible when they are opened by the pilot piston, if enough pilot pressure is present in the opposite line.

For complete engineering and design information:
GoTo www.boschrexroth-us.com/GoToCompact

Features

- Control spools directly operated by screwed-in solenoids with extractable coils
- In the de-energized condition, the control spool is held in the central position by return springs
- Wet pin tubes for DC coils, with push rod for mechanical override; burnish surface treatment
- Single or Dual cross piloted check valves on A and B ports

Detailed information:

- RA18300-53

Technical Data

General		
Weight (valve element with 2 solenoids)	kg (lbs)	1.75 (3.86)
Ambient Temperature	°C (°F)	-20...+50 (-4...+120) [NBR seals]
Hydraulic		
Maximum pressure (P, A, and B ports)	bar (psi)	250 (3625)
Maximum dynamic pressure (T)	bar (psi)	180 (2610)
Maximum static pressure (T)	bar (psi)	210 (3045)
Maximum inlet flow	l/min (GPM)	20 (5.3)
Hydraulic fluid General properties: it must have physical lubricating and chemical properties suitable for use in hydraulic systems such as, for example:		Mineral oil based hydraulic fluids HL (DIN 51524 part 1). Mineral oil based hydraulic fluids HLP (DIN 51524 part 2). For use of environmentally acceptable fluids (vegetable or polyglycol base) please consult us.
Fluid Temperature	°C (°F)	-20...+80 (-4...+176) [NBR seals]
Permissible degree of fluid contamination		ISO 4572: $\beta_x \geq 75$ X=12...15 ISO 4406: classe 20/18/15 NAS 1638: classe 9
Viscosity range	mm ² /s	5...420

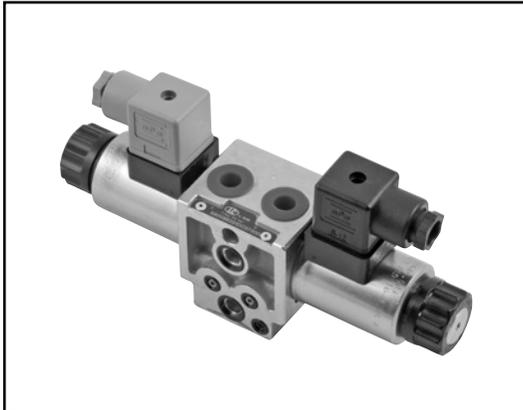
Part Number	Description	Max. Quantity	Shipment (Business Days)
R930055580	B8048B2010000B330-KE.EDB-Z-VR3/AB-SAE6-&	10	10
R933003707	B8048E2010000B330-KE.EDB-Z-VR3/AB-SAE6-&	10	10

1) "Shipment" defined as – not to exceed the time from receipt of order to Bosch Rexroth Hydraulics to shipment ex-factory (Bosch Rexroth plant location).

GoTo Focused Delivery Program: Compact Hydraulics

4/3 Proportional valve elements

B8_80 (EDB-P)



Valve elements B8080... are compact direct operated proportional solenoid valves which control the start, stop, direction and the quantity of the oil flow. They consist of a stackable housing with a control spool, one or two solenoids, and one or two return springs. Energized by an electronic feed regulator, each solenoid displaces the control spool from its neutral-central position "0" proportionally to the current received. In open loop mode, a regulated oil flow P to A , or P to B, is achieved.

For complete engineering and design information:
GoTo www.boschrexroth-us.com/GoToCompact

Features

- Control spools directly operated by screwed-in solenoids with extractable coils
- In the de-energized condition, the control spool is held in the central position by return springs

Detailed information:

- RA18300-55

Spool variants:

- B2:** 4/3 operated both sides a and b; P -- T closed in neutral
- E2:** 4/3 operated both sides a and b; A and B to T in neutral

Technical Data

General		
Weight (valve element with 2 solenoids)	kg (lbs)	1.5 (3.3)
Weight (valve element with 1 solenoid)	kg (lbs)	1.1 (2.5)
Ambient Temperature	°C (°F)	-20....+50 (-4....+120) [NBR seals]
Hydraulic		
Maximum pressure (P, A, and B ports)	bar (psi)	310 (4500)
Maximum dynamic pressure (T)	bar (psi)	180 (2610)
Maximum static pressure (T)	bar (psi)	210 (3045)
Maximum inlet flow	l/min (GPM)	24 (6.3)
Hydraulic fluid General properties: it must have physical lubricating and chemical properties suitable for use in hydraulic systems such as, for example:		Mineral oil based hydraulic fluids HL (DIN 51524 part 1). Mineral oil based hydraulic fluids HLP (DIN 51524 part 2). For use of environmentally acceptable fluids (vegetable or polyglycol base) please consult us.
Fluid Temperature	°C (°F)	-20....+80 (-4....+176) [NBR seals]
Permissible degree of fluid contamination		ISO 4572: $\beta_{x \geq 75} X=12...15$ ISO 4406: classe 20/18/15 NAS 1638: classe 9
Viscosity range	mm ² /s	20....380 (best 30....46)

Part Number	Description	Max. Quantity	Shipment (Business Days)
R930055582	B8080B2S50000B00Y-KE.EDB-P-SAE6-B2S5-N	10	10
R930055584	B8080E2S50000B00Y-KE.EDB-P-SAE6-E2S5-N	10	10

1) "Shipment" defined as – not to exceed the time from receipt of order to Bosch Rexroth Hydraulics to shipment ex-factory (Bosch Rexroth plant location).

GoTo Focused Delivery Program: Compact Hydraulics

4/3 – 4/2 Directional valve elements L8_10... (ED1-Z) & L8_11... (ED2-DZ)



The sandwich plate design directional valve elements L8_10... and L8_11... are compact direct operated solenoid valves which control the start, stop, and the direction of the oil flow.

For complete engineering and design information:
GoTo www.boschrexroth-us.com/GoToCompact

Features

- Valve elements with solenoid operated directional spool
- Control spools operated by screwed-in solenoids with extractable coils
- In the de-energized condition, the control spool is held in the central position by return springs
- Wet pin tubes for DC coils, with push rod for mechanical override; nickel plated surface
- Coils can be rotated 360° around the tube; they can be energized by AC current through special connectors with rectifier (RAC)
- Manual override (push-button or screw type) available upon request
- Plug-in connectors available; EN 175301-803 (was DIN 43650); AMP Junior; DT04-2P (Deutsch), free leads

Detailed information:

- RA18301-01 (L8_10)
- RA18301-02 (L8_11)

Technical Data

Model		L8_10...	L8_11...
General			
Valve element with 2 solenoids	kg (lbs)	1.55 (3.42)	1.95 (4.3)
Valve element with 1 solenoid	kg (lbs)	1.25 (2.76)	1.45 (3.2)
Valve element with 2 solenoid with lever override	kg (lbs)	1.9 (4.2)	2.2 (4.85)
Valve element with 1 solenoid with lever override	kg (lbs)	1.6 (3.5)	1.7 (3.75)
Hydraulic			
Maximum pressure (P, A, and B ports)	bar (psi)	310 (4500)	
Maximum dynamic pressure (T)	bar (psi)	180 (2610)	250 (3625)
Maximum dynamic pressure, with lever override (T)	bar (psi)	100 (1450)	
Maximum static pressure (T)	bar (psi)	210 (3045)	310 (4500)
Maximum inlet flow	l/min (GPM)	30 (7.9)	50 (13.2)
Hydraulic fluid General properties: it must have physical lubricating and chemical properties suitable for use in hydraulic systems such as, for example:		Mineral oil based hydraulic fluids HL (DIN 51524 part 1). Mineral oil based hydraulic fluids HLP (DIN 51524 part 2). For use of environmentally acceptable fluids (vegetable or polyglycol base) please consult us.	
Fluid Temperature	°C (°F)	-20....+80 (-4....+176) [NBR seals]	
Permissible degree of fluid contamination		ISO 4572: $\beta_{x \geq 75} X=12...15$ ISO 4406: class 20/18/15 NAS 1638: class 9	
Viscosity range	mm ² /s	5....420	

Part Number	Description	Max. Quantity	Shipment (Business Days)
R933003502	L8010A201000030 ED1	10	10
R930055598	L8010A201000030HA-KE.ED1-Z-SAE8-A201-EL&	10	10
R933002825	L8010B201000030 ED1	10	10
R930055600	L8010B201000030HA-KE.ED1-Z-SAE8-B201-EL&	10	10
R933003504	L8010E201000030 ED1	10	10
R930055617	L8010E201000030HA-KE.ED1-Z-SAE8-E201-EL&	10	10
R930055621	L8010Y301000030HA-KE.ED1-Z-SAE8-Y301-EL&	10	10
R930055619	L8010Y301000030-KE.ED1-Z-SAE8-Y301-N	10	10
R933003612	L8011A201000030 ED2	10	10
R930055623	L8011A201000030HA-KE.ED2-SAE8-A201-ELHA&	10	10
R933002824	L8011B201000030 ED2	10	10
R930055625	L8011B201000030HA-KE.ED2-SAE8-B201-ELHA&	10	10
R933003457	L8011E201000030 ED2	10	10
R930055628	L8011E201000030HA-KE.ED2-SAE8-E201-ELHA&	10	10
R930055632	L8011Y301000030HA-KE.ED2-SAE8-Y301-ELHA&	10	10
R930055630	L8011Y301000030-KE.ED2-DZ-SAE8-Y301-N	10	10

1) "Shipment" defined as – not to exceed the time from receipt of order to Bosch Rexroth Hydraulics to shipment ex-factory (Bosch Rexroth plant location).

GoTo Focused Delivery Program: Compact Hydraulics

4/3 – 4/2 Directional valve elements proportional controls L8_80... (ED4-P)



The sandwich plate design directional valve elements L8080... are compact direct operated proportional solenoid valves which control the start, the stop, the direction and the quantity of the oil flow.

For complete engineering and design information:
GoTo www.boschrexroth-us.com/GoToCompact

Features

- Valve element with direct proportional control of spool
- Control spool operated by screwed-in solenoid with extractable coil
- In the de-energized condition, the control spool is held in the central position by return springs.
- Wet pin proportional tubes for DC coils, with push rod for mechanical override; nickel plated surface
- Manual override (push-button or screw type) available upon request
- Plug-in connectors available: EN 175301-803 (Was DIN 43650) and DT04-2P (Deutsch)

Detailed information:

- RA18301-06

Technical Data

General		
Weight (valve element with 2 solenoids)	kg (lbs)	2.20 (4.85)
Weight (valve element with 1 solenoid)	kg (lbs)	1.70 (3.75)
Ambient Temperature	°C (°F)	-20....+50 (-4....+122) [NBR seals]
Hydraulic		
Maximum pressure (P)	bar (psi)	310 (4500)
Maximum dynamic pressure (T)	bar (psi)	210 (3050)
Maximum static pressure (T)	bar (psi)	250 (3625)
Maximum inlet flow	l/min (GPM)	45 (11.9)
Nominal flow with $\Delta P = 10$ bar	l/min (GPM)	10, 20, 30 (2.64, 5.28, 7.9)
Hydraulic fluid General properties: it must have physical lubricating and chemical properties suitable for use in hydraulic systems such as, for example:		Mineral oil based hydraulic fluids HL (DIN 51524 part 1). Mineral oil based hydraulic fluids HLP (DIN 51524 part 2). For use of environmentally acceptable fluids (vegetable or polyglycol base) please consult us.
Fluid Temperature	°C (°F)	-20....+80 (-4....+176) [NBR seals]
Permissible degree of fluid contamination		ISO 4572: $\beta_{x \geq 75} X = 12 \dots 15$ ISO 4406: class 20/18/15 NAS 1638: class 9
Viscosity range	mm ² /s	20....380 (optimal 30....46)

Part Number	Description	Max. Quantity	Shipment (Business Days)
R933003625	L8080B2S4000030 ED4-P	10	10
R930061802	L8081B2S4000030HA-KE.ED4-P1-SAE8-B2S4-ELHA-N (0-20LPM)	10	10
R930061803	L8081B2S6000030HA-KE.ED4-P1-SAE8-PT9-B2S6-ELHA-N (0-30LPM)	10	10
R930061804	L8081B2S6000030-KE.ED4-P1-SAE8-PT9-B2S6-N (0-30LPM)	10	10
R930061805	L8081E2I6000030-KE.ED4-P1-SAE8-PT9-E2I6-N (0-30LPM)	10	10
R930061806	L8081E2S4000030HA-KE.ED4-P1-SAE8-E2S4-ELHA-N (0-20LPM)	10	10
R930061807	L8081E2S4000030-KE.ED4-P1-SAE8-PT9-E2S4-N (0-20LPM)	10	10
R930061808	L8081E2S6000030HA-KE.ED4-P1-SAE8-E2S6-ELHA-N (0-30LPM)	10	10
R930061809	L8081E2S6000030-KE.ED4-P1-SAE8-PT9-E2S6-N (0-30LPM)	10	10

1) "Shipment" defined as – not to exceed the time from receipt of order to Bosch Rexroth Hydraulics to shipment ex-factory (Bosch Rexroth plant location).

GoTo Focused Delivery Program: Compact Hydraulics

4/3 Lever-operated directional valve elements

L8_L1... (ED-LV)

	<p>Directional valve elements L8_1... are compact manual operated valves which control the start, the stop and the direction of the oil flow. The hand operated lever moves the control spool from its neutral-central position “0” to the required position “a” or “b”, and the required flow from P to A (with B to T), or P to B (with A to T) is achieved.</p> <p>For complete engineering and design information: GoTo www.boschrexroth-us.com/GoTocompact</p>
---	--

Features

- Valve elements with 4 ways and 3 positions
- Control spools manual operated by hand lever
- Control spool with return spring or mechanical detent for all three positions.

Detailed information:

- RA18301-10

Technical Data

General		
Weight	kg (lbs)	1.55 (3.42)
Mounting position	kg (lbs)	Unrestricted
Ambient Temperature	°C (°F)	-20....+50 (-4....+122) [NBR seals]
Hydraulic		
Maximum pressure (P)	bar (psi)	310 (4500)
Maximum static pressure (T)	bar (psi)	180 (2610)
Maximum inlet flow	l/min (GPM)	60 (15.9)
Nominal flow with ΔP = 10 bar	l/min (GPM)	10, 20, 30 (2.64, 5.28, 7.9)
Hydraulic fluid General properties: it must have physical lubricating and chemical properties suitable for use in hydraulic systems such as, for example:		Mineral oil based hydraulic fluids HL (DIN 51524 part 1). Mineral oil based hydraulic fluids HLP (DIN 51524 part 2). For use of environmentally acceptable fluids (vegetable or polyglycol base) please consult us.
Fluid Temperature	°C (°F)	-20....+80 (-4....+176) [NBR seals]
Permissible degree of fluid contamination		ISO 4572: β _x ≥75 X=12...15 ISO 4406: class 20/18/15 NAS 1638: class 9
Viscosity range	mm ² /s	20....380 (optimal 30....46)

Part Number	Description	Max. Quantity	Shipment (Business Days)
R933007171	L80L1A2S8A0M130 ED-LV	10	10
R930055678	L80L1B2S4A0M130-EV.ED-LV-SAE8-B2S4-LATO&	10	10
R933007648	L80L1B2S8A0M130 ED-LV	10	10
R930055682	L80L1E2S4A0M130-EV.ED-LV-SAE8-E2S4-LATO&	10	10
R933007304	L80L1E2S8A0M130-EV.ED-LV-SAE8-E2S8-LATO&	10	10

1) "Shipment" defined as – not to exceed the time from receipt of order to Bosch Rexroth Hydraulics to shipment ex-factory (Bosch Rexroth plant location).

GoTo Focused Delivery Program: Compact Hydraulics

4/2, 4/3 LUDV flow sharing directional valve elements L8511... (EDC-DZ)



Directional valve elements L8511... are compact direct operated pressure compensated solenoid valves which operate with a flow sharing principle. They consist of a stackable housing with control spool, two solenoids, and two return springs. When energized, each solenoid displaces the control spool from its neutral-central position "0" and the metering notches are open; flow is delivered to the 3-way pressure compensator followed by a check valve for each port A and B. The compensator, balanced by the LS pressure at the opposite end, lifts up and unloads a pressure compensated flow which is sent to the A (or B) port through the relevant check valve; at the same time the opposite port allows oil return to tank.

For complete engineering and design information:
GoTo www.boschrexroth-us.com/GoToCompact

Features

- Valve element with direct on-off flow sharing control
- It can achieve multiple simultaneous maneuvers by distributing the available flow to each actuator selected by the operator, independently from the working pressure required
- All simultaneous movements go on at the same reduced speed in case of flow shortage
- Each energized actuator receives a pressure compensated flow

Detailed information:

- RA18301-11

Technical Data

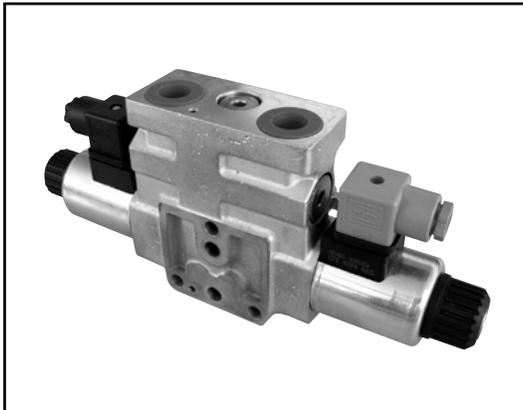
General		
Weight (valve element with 2 solenoids)	kg (lbs)	1.34 (2.95)
Weight (valve element with 1 solenoid)		1.06 (2.34)
Ambient Temperature	°C (°F)	-20....+50 (-4....+120) [NBR seals]
Hydraulic		
Maximum pressure (P, A, and B ports)	bar (psi)	310 (4500)
Maximum pressure (T)	bar (psi)	210 (3045)
Maximum flow	l/min (GPM)	48 (12.7)
Hydraulic fluid General properties: it must have physical lubricating and chemical properties suitable for use in hydraulic systems such as, for example:		Mineral oil based hydraulic fluids HL (DIN 51524 part 1). Mineral oil based hydraulic fluids HLP (DIN 51524 part 2). For use of environmentally acceptable fluids (vegetable or polyglycol base) please consult us.
Fluid Temperature	°C (°F)	-20....+80 (-4....+176) [NBR seals]
Permissible degree of fluid contamination		ISO 4572: $\beta_{x \geq 75} X=12...15$ ISO 4406: classe 20/18/15 NAS 1638: classe 9
Viscosity range	mm ² /s	5....420

Part Number	Description	Max. Quantity	Shipment (Business Days)
R930055684	L8511B2S800003000-KE.EDC-DZ-SAE8-B2S8-N	10	10
R930053109	L8511B2S900003000 EDC-DZ	10	10
R930055692	L8511B2S9000030HA-KE.EDC-DZ-SAE8-B2S9-E&	10	10
R933008803	L8511B2S90000M000-KE.EDC-DZ-MOD-B2S9-N	10	10
R930055694	L8511B2S90000M0HA-KE.EDC-DZ-MOD-B2S9-EL&	10	10
R930055695	L8511E2S800003000-KE.EDC-DZ-SAE8-E2S8-N	10	10
R930055681	L8511E2S8000030HA-KE.EDC-DZ-SAE8-E2S8-E&	10	10
R933008799	L8511E2S80000M000-KE.EDC-DZ-MOD-E2S8-N	10	10
R930055690	L8511E2S80000M0HA-KE.EDC-DZ-MOD-E2S8-EL&	10	10

1) "Shipment" defined as – not to exceed the time from receipt of order to Bosch Rexroth Hydraulics to shipment ex-factory (Bosch Rexroth plant location).

GoTo Focused Delivery Program: Compact Hydraulics

4/3 – 4/2 Proportional directional valve elements with flow sharing control (LUDV) L8580... (EDC-P)



The sandwich plate design directional valve elements L8580... are compact direct operated pressure compensated proportional solenoid valves which control the start, the stop, the direction and the quantity of the oil flow, with a Flow Sharing principle.

For complete engineering and design information:
GoTo www.boschrexroth-us.com/GoToCompact

Features

- Valve element with direct proportional flow sharing control
- It can achieve simultaneous activation of different actuators by distributing the available flow proportionally to the speeds selected by the operator
- Optional hand lever for dual electric and manual operation
- Manual override (push-button, screw type or lever) available upon request

Detailed information:

- RA18301-09

Technical Data

General		
Weight (valve element with 2 solenoids)	kg (lbs)	3.95 (8.71)
Weight valve element with 1 solenoid)	kg (lbs)	3.6 (7.91)
Ambient temperature	°C (°F)	-20....+50 (-4....+122)
Hydraulic		
Maximum pressure (P, A, and B ports)	bar (psi)	310 (4500)
Maximum pressure (T)	bar (psi)	210 (3045)
Maximum pressure with lever emergency (T)	bar (psi)	140 (2030)
Max regulated flow at 14 bar (203 psi)	°C (°F)	40, 50 (10.5, 13.2)
Max regulated flow at 18 bar (261 psi)	°C (°F)	46, 58 (12.1, 15.3)
Hydraulic fluid General properties: it must have physical lubricating and chemical properties suitable for use in hydraulic systems such as, for example:		Mineral oil based hydraulic fluids HL (DIN 51524 part 1). Mineral oil based hydraulic fluids HLP (DIN 51524 part 2). For use of environmentally acceptable fluids (vegetable or polyglycol base) please consult us.
Fluid Temperature	°C (°F)	-20....+80 (-4....+176) [NBR seals]
Permissible degree of fluid contamination		ISO 4572: $\beta_{x \geq 75} X=12 \dots 15$ ISO 4406: class 20/18/15 NAS 1638: class 9
Viscosity range	mm ² /s	20....380 (optimal 30....46)

Part Number	Description	Max. Quantity	Shipment (Business Days)
R930061819	L8581B2S400003000-KE.EDC-P1-SAE8-B2S4-N	10	10
R930061820	L8581B2S4000030HA-KE.EDC-P1-SAE8-B2S4-ELHA-N	10	10
R930061821	L8581B2S40000M000-KE.EDC-P1-MOD-B2S4-N	10	10
R930061822	L8581B2S40000M0HA-KE.EDC-P1-MOD-B2S4-ELHA-N	10	10
R930061823	L8581B2S800003000-KE.EDC-P1-SAE8-B2S8-N	10	10
R930061824	L8581B2S8000030HA-KE.EDC-P1-SAE8-B2S8-ELHA-N	10	10
R930061825	L8581B2S80000M000-KE.EDC-P1-MOD-B2S8-N	10	10
R930061826	L8581B2S80000M0HA-KE.EDC-P1-MOD-B2S8-ELHA-N	10	10
R930061827	L8581B2S900003000-KE.EDC-P1-SAE8-B2S9-N	10	10
R930061828	L8581B2S9000030HA-KE.EDC-P1-SAE8-B2S9-ELHA-N	10	10
R930061829	L8581B2S90000M000-KE.EDC-P1-MOD-B2S9-N	10	10
R930061830	L8581B2S90000M0HA-KE.EDC-P1-MOD-B2S9-ELHA-N	10	10
R930061833	L8581E2S800003000-KE.EDC-P1-SAE8-E2S8-N	10	10
R930061834	L8581E2S8000030HA-KE.EDC-P1-SAE8-E2S8-ELHA-N	10	10
R930061835	L8581E2S80000M000-KE.EDC-P1-MOD-E2S8-N	10	10
R930061836	L8581E2S80000M0HA-KE.EDC-P1-MOD-E2S8-ELHA-N	10	10
R930061838	L8581E2S900003000-KE.EDC-P1-SAE8-E2S9-N	10	10
R930061839	L8581E2S9000030HA-KE.EDC-P1-SAE8-E2S9-ELHA-N	10	10
R930050996	L8581E2S90000M000-KE.EDC-P1-MOD-E2S9-N	10	10
R930061841	L8581E2S90000M0HA-KE.EDC-P1-MOD-E2S9-ELHA-N	10	10

1) "Shipment" defined as – not to exceed the time from receipt of order to Bosch Rexroth Hydraulics to shipment ex-factory (Bosch Rexroth plant location).

GoTo Focused Delivery Program: Compact Hydraulics

4/3 – 4/2 Directional valve elements

D8_5... (EDD-XZ)



The sandwich plate design directional valve elements D8_5 are compact direct operated solenoid valves which control the start, the stop and the direction of the oil flow.

For complete engineering and design information:
GoTo www.boschrexroth-us.com/GoToCompact

Features

- Valve elements with solenoid operated directional spool
- Control spools directly operated by solenoids with removable coils
- In the de-energized condition, the control spool is held in the central position by return springs
- Manual override (push-button, screw type) available as option
- Optional anti-cavitation/relief function available

Detailed information:
• RA18301-12

Technical Data

General		
Weight with two solenoids	kg (lbs)	3.00 (6.61)
Weight with one solenoid	kg (lbs)	2.35 (5.18)
Ambient temperature	°C (°F)	-20....+50 (-4....+122)
Hydraulic		
Max pressure (P)	bar (psi)	310 (4500)
Max pressure (A and B ports)	bar (psi)	380 (5500)
Max pressure (T)	bar (psi)	250 (3625)
Max inlet flow	l/min (GPM)	80 (21.1)
Hydraulic fluid General properties: it must have physical lubricating and chemical properties suitable for use in hydraulic systems such as, for example:		Mineral oil based hydraulic fluids HL (DIN 51524 part 1). Mineral oil based hydraulic fluids HLP (DIN 51524 part 2). For use of environmentally acceptable fluids (vegetable or polyglycol base) please consult us.
Fluid Temperature	°C (°F)	-20....+80 (-4....+176) [NBR seals]
Permissible degree of fluid contamination		ISO 4572: $\beta_{x \geq 75} X=12...15$ ISO 4406: class 20/18/15 NAS 1638: class 9
Viscosity range	mm ² /s	5....420

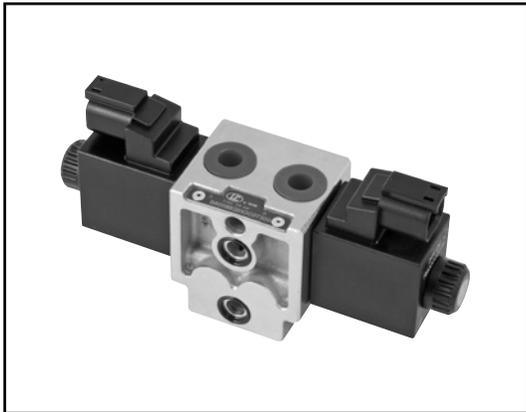
Part Number	Description	Max. Quantity	Shipment (Business Days)
R930052734	D805B2010000D00000 EDD	10	10
R930052730	D805B2010000DTT000 EDD	10	10
R930052760	D805E2010000D00000 EDD	10	10
R930052762	D805E2010000DTT000 EDD	10	10

1) "Shipment" defined as – not to exceed the time from receipt of order to Bosch Rexroth Hydraulics to shipment ex-factory (Bosch Rexroth plant location).

GoTo Focused Delivery Program: Compact Hydraulics

4/3 Load sensing directional valve elements

B8_05... (EDBY-LS)



Directional valve elements B8_05... are compact direct-operated solenoid valves that control the start, stop and direction of oil flow. These elements consist of a stackable housing with a control spool, one or two solenoids, and one or two return springs. With the LS connection, pressure difference at the main spool, as well as the flow to the actuator, is maintained constant via the pressure compensator.

For complete engineering and design information:
GoTo www.boschrexroth-us.com/GoTocompact

Features

- Valve elements with 4 ways and 3, or 2, positions
- Control spools directly operated by screwed-in solenoids with extractable coils
- In the de-energized condition, the control spool is held in the central position by return springs
- Wet pin tubes for DC coils, with push rod for mechanical override; burnish surface treatment

Detailed information:

- RA18300-50

Technical Data

General		
Weight (valve element with 2 solenoids)	kg (lbs)	1.2 (2.65)
Weight (valve element with 1 solenoid)	kg (lbs)	1.0 (2.20)
Ambient Temperature	°C (°F)	-20....+50 (-4....+120) [NBR seals]
Hydraulic		
Maximum pressure (P, A, and B ports)	bar (psi)	250 (3600)
Maximum dynamic pressure (T)	bar (psi)	150 (2176)
Maximum static pressure (T)	bar (psi)	210 (3045)
Maximum inlet flow	l/min (GPM)	15 (4)
Hydraulic fluid General properties: it must have physical lubricating and chemical properties suitable for use in hydraulic systems such as, for example:		Mineral oil based hydraulic fluids HL (DIN 51524 part 1). Mineral oil based hydraulic fluids HLP (DIN 51524 part 2). For use of environmentally acceptable fluids (vegetable or polyglycol base) please consult us.
Fluid Temperature	°C (°F)	-20....+80 (-4....+176) [NBR seals]
Permissible degree of fluid contamination		ISO 4572: $\beta_x \geq 75$ X=12...15 ISO 4406: classe 20/18/15 NAS 1638: classe 9
Viscosity range	mm ² /s	5....420

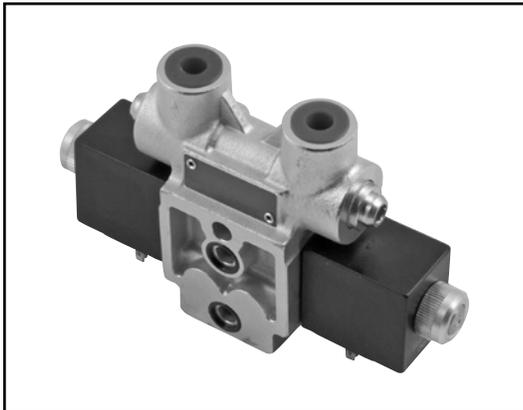
Part Number	Description	Max. Quantity	Shipment (Business Days)
R933003645	B8405A2010000B000 EDB-Y-LS	10	10
R933003623	B8405B2010000B000 EDB-Y-LS	10	10
R933003647	B8405E2010000B000 EDB-Y-LS	10	10
R933003648	B8405Y3010000B000 EDB-Y-LS	10	10

1) "Shipment" defined as – not to exceed the time from receipt of order to Bosch Rexroth Hydraulics to shipment ex-factory (Bosch Rexroth plant location).

GoTo Focused Delivery Program: Compact Hydraulics

4/3 Load sensing directional valve elements, with PO check valves

B8_45... (EDBY-VR-LS)



Directional valve elements B8_45... with LS connection are compact direct-operated solenoid valves which control the start, stop and direction of the oil flow. With the LS connection, pressure difference at the main spool, as well as the flow to the actuator, is maintained constant via the pressure compensator.

For complete engineering and design information:
GoTo www.boschrexroth-us.com/GoTocompact

Features

- Valve elements with 4 ways and 3 positions
- Control spools directly operated by screwed-in solenoids with extractable coils
- In the de-energized condition, the control spool is held in the central position by return springs
- Wet pin tubes for DC coils, with push rod for mechanical override; burnish surface treatment
- Single or Dual cross piloted checks on A and B ports

Detailed information:

- RA18300-51

Technical Data

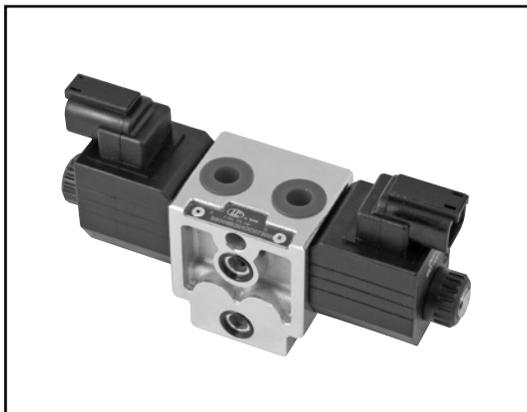
General		
Weight	kg (lbs)	1.6 (3.5)
Ambient Temperature	°C (°F)	-20....+50 (-4....+120) [NBR seals]
Hydraulic		
Maximum pressure (P, A, and B ports)	bar (psi)	250 (3600)
Maximum dynamic pressure (T)	bar (psi)	150 (2176)
Maximum static pressure (T)	bar (psi)	210 (3045)
Maximum inlet flow	l/min (GPM)	15 (4)
Hydraulic fluid General properties: it must have physical lubricating and chemical properties suitable for use in hydraulic systems such as, for example:		Mineral oil based hydraulic fluids HL (DIN 51524 part 1). Mineral oil based hydraulic fluids HLP (DIN 51524 part 2). For use of environmentally acceptable fluids (vegetable or polyglycol base) please consult us.
Fluid Temperature	°C (°F)	-20....+80 (-4....+176) [NBR seals]
Permissible degree of fluid contamination		ISO 4572: $\beta_{x \geq 75} X=12...15$ ISO 4406: classe 20/18/15 NAS 1638: classe 9
Viscosity range	mm ² /s	5....420

Part Number	Description	Max. Quantity	Shipment (Business Days)
R933003660	B8445B2010000B330 EDB-Y-VR-LS	10	10
R933003662	B8445E2010000B330 EDB-Y-VR-LS	10	10

1) "Shipment" defined as – not to exceed the time from receipt of order to Bosch Rexroth Hydraulics to shipment ex-factory (Bosch Rexroth plant location).

GoTo Focused Delivery Program: Compact Hydraulics

4/3 Load sensing directional valve elements B8_08... (EDBZ-LS)



Directional valve elements B8_08... are compact direct-operated solenoid valves which control the start, stop and direction of the oil flow. These elements consist of a stackable housing with a control spool, two solenoids, and two return springs. With the LS connection, pressure difference at the main spool, as well as the flow to the actuator, is maintained constant via the pressure compensator.

For complete engineering and design information:
GoTo www.boschrexroth-us.com/GoToCompact

Features

- Valve elements with 4 ways and 3 positions
- Control spools directly operated by screwed-in solenoids with extractable coils
- In the de-energized condition, the control spool is held in the central position by return springs
- Wet pin tubes for DC coils, with push rod for mechanical override; burnish surface treatment

Detailed information:

- RA18300-52

Technical Data

General		
Weight (valve element with 2 solenoids)	kg (lbs)	1.6 (3.5)
Ambient Temperature	°C (°F)	-20....+50 (-4....+120) [NBR seals]
Hydraulic		
Maximum pressure (P, A, and B ports)	bar (psi)	250 (3625)
Maximum dynamic pressure (T)	bar (psi)	150 (2176)
Maximum static pressure (T)	bar (psi)	210 (3045)
Maximum inlet flow	l/min (GPM)	15 (4)
Hydraulic fluid General properties: it must have physical lubricating and chemical properties suitable for use in hydraulic systems such as, for example:		Mineral oil based hydraulic fluids HL (DIN 51524 part 1). Mineral oil based hydraulic fluids HLP (DIN 51524 part 2). For use of environmentally acceptable fluids (vegetable or polyglycol base) please consult us.
Fluid Temperature	°C (°F)	-20....+80 (-4....+176) [NBR seals]
Permissible degree of fluid contamination		ISO 4572: $\beta_{x \geq 75} X=12...15$ ISO 4406: classe 20/18/15 NAS 1638: classe 9
Viscosity range	mm ² /s	5....420

Part Number	Description	Max. Quantity	Shipment (Business Days)
R930055586	B8408A2010000B000-KE.EDB-Z-LS-SAE6-A201&	10	10
R933006938	B8408B2010000B000 EDB-Z-LS	10	10
R930055588	B8408E2010000B000-KE.EDB-Z-LS-SAE6-E201&	10	10
R930055590	B8408Y3010000B000-KE.EDB-Z-LS-SAE6-Y301&	10	10

1) "Shipment" defined as – not to exceed the time from receipt of order to Bosch Rexroth Hydraulics to shipment ex-factory (Bosch Rexroth plant location).

GoTo Focused Delivery Program: Compact Hydraulics

4/3 Load sensing directional valve elements, with PO check valves

B8_48... (EDBZ-VR-LS)



Directional valve elements B8_48... are compact direct-operated solenoid valves which control the start, stop and direction of the oil flow. These elements consist of a stackable housing with a control spool, two solenoids, and two return springs. With the LS connection, pressure difference at the main spool, as well as the flow to the actuator, is maintained constant via the pressure compensator.

For complete engineering and design information:
GoTo www.boschrexroth-us.com/GoToCompact

Features

- Valve elements with 4 ways and 3 positions
- Control spools directly operated by screwed-in solenoids with extractable coils
- In the de-energized condition, the control spool is held in the central position by return springs
- Wet pin tubes for DC coils, with push rod for mechanical override; burnish surface treatment

Detailed information:

- RA18300-53

Technical Data

General		
Weight (valve element with 2 solenoids)	kg (lbs)	1.34 (2.95)
Weight (valve element with 1 solenoid)	kg (lbs)	1.06 (2.34)
Ambient Temperature	°C (°F)	-20....+50 (-4....+120) [NBR seals]
Hydraulic		
Maximum pressure (P, A, and B ports)	bar (psi)	310 (4500)
Maximum dynamic pressure (T)	bar (psi)	180 (2610)
Maximum static pressure (T)	bar (psi)	210 (3045)
Maximum flow	l/min (GPM)	25 (6.6)
Hydraulic fluid General properties: it must have physical lubricating and chemical properties suitable for use in hydraulic systems such as, for example:		Mineral oil based hydraulic fluids HL (DIN 51524 part 1). Mineral oil based hydraulic fluids HLP (DIN 51524 part 2). For use of environmentally acceptable fluids (vegetable or polyglycol base) please consult us.
Fluid Temperature	°C (°F)	-20....+80 (-4....+176) [NBR seals]
Permissible degree of fluid contamination		ISO 4572: $\beta_{x \geq 75} X=12...15$ ISO 4406: classe 20/18/15 NAS 1638: classe 9
Viscosity range	mm ² /s	5....420

Part Number	Description	Max. Quantity	Shipment (Business Days)
R930055592	B8448B2010000B330-KE.EDB-Z-LS-VR3/AB-SA&	10	10
R933006937	B8448E2010000B330 EDB-Z-VR-LS	10	10

1) "Shipment" defined as – not to exceed the time from receipt of order to Bosch Rexroth Hydraulics to shipment ex-factory (Bosch Rexroth plant location).

GoTo Focused Delivery Program: Compact Hydraulics

4/3 Load sensing proportional valve elements

B8_80... (EDB-P-LS)



The sandwich plate design directional valve elements B8080... with LS connection are compact direct operated proportional solenoid valves which control the start, the stop, the direction and the quantity of the oil flow. With the LS connection, pressure difference at the main spool, as well as the flow to the actuator, is maintained constant via the pressure compensator.

For complete engineering and design information:
GoTo www.boschrexroth-us.com/GoToCompact

Features

- Valve element with direct proportional control of spool
- Control spool operated by screwed-in solenoid with extractable coil
- In the de-energized condition, the control spool is held in the central position by return springs

Detailed information:

- RA18300-55

Technical Data

General		
Weight (valve element with 2 solenoids)	kg (lbs)	1.55 (3.42)
Weight (valve element with 1 solenoid)	kg (lbs)	1.1 (2.5)
Ambient Temperature	°C (°F)	-20....+50 (-4....+120) [NBR seals]
Hydraulic		
Maximum pressure (P, A, and B ports)	bar (psi)	310 (4500)
Maximum pressure (T)	bar (psi)	180 (2610)
Maximum flow	l/min (GPM)	24 (6.3)
Hydraulic fluid General properties: it must have physical lubricating and chemical properties suitable for use in hydraulic systems such as, for example:		Mineral oil based hydraulic fluids HL (DIN 51524 part 1). Mineral oil based hydraulic fluids HLP (DIN 51524 part 2). For use of environmentally acceptable fluids (vegetable or polyglycol base) please consult us.
Fluid Temperature	°C (°F)	-20....+80 (-4....+176) [NBR seals]
Permissible degree of fluid contamination		ISO 4572: $\beta_{x \geq 75} X=12...15$ ISO 4406: classe 20/18/15 NAS 1638: classe 9
Viscosity range	mm ² /s	5....420

Part Number	Description	Max. Quantity	Shipment (Business Days)
R930055595	B8480B2S50000B00Y-KE.EDB-P-LS-B2S5-SAE6&	10	10
R930053103	B8480E2S50000B00 EDB-P-LS	10	10

1) "Shipment" defined as – not to exceed the time from receipt of order to Bosch Rexroth Hydraulics to shipment ex-factory (Bosch Rexroth plant location).

GoTo Focused Delivery Program: Compact Hydraulics

4/3 – 4/2 Load sensing directional valve elements L8_10... (ED1-LS-Z) & L8_11... (ED2-LS-DZ)



L8_10 and L8_11 directional valve elements with load sensing connections provide load pressure-compensated flow control for the start, stop, and direction of oil flow.

For complete engineering and design information:
GoTo www.boschrexroth-us.com/GoToCompact

Features

- Valve elements with solenoid operated directional spool
- Control spools operated by screwed-in solenoids with extractable coils
- In the de-energized condition, the control spool is held in the central position by return springs
- Wet pin tubes for DC coils, with push rod for mechanical override; nickel plated surface
- Coils can be rotated 360° around the tube; they can be energized by AC current through special connectors with rectifier (RAC)
- Manual override (push-button or screw type) available upon request
- Plug-in connectors available; EN 175301-803 (was DIN 43650); AMP Junior; DT04-2P (Deutsch), free leads

Detailed information:

- RA18301-01 (L8_10)
- RA18301-02 (L8_11)

Technical Data

Model		L8_10...	L8_11...
General			
Valve element with 2 solenoids	kg (lbs)	1.55 (3.42)	1.95 (4.3)
Valve element with 1 solenoid	kg (lbs)	1.25 (2.76)	1.45 (3.2)
Valve element with 2 solenoid with lever override	kg (lbs)	1.9 (4.2)	2.2 (4.85)
Valve element with 1 solenoid with lever override	kg (lbs)	1.6 (3.5)	1.7 (3.75)
Hydraulic			
Maximum pressure (P, A, and B ports)	bar (psi)	310 (4500)	
Maximum dynamic pressure (T)	bar (psi)	180 (2610)	250 (3625)
Maximum dynamic pressure, with lever override (T)	bar (psi)	100 (1450)	
Maximum static pressure (T)	bar (psi)	210 (3045)	310 (4500)
Maximum inlet flow	l/min (GPM)	30 (7.9)	50 (13.2)
Hydraulic fluid General properties: it must have physical lubricating and chemical properties suitable for use in hydraulic systems such as, for example:		Mineral oil based hydraulic fluids HL (DIN 51524 part 1). Mineral oil based hydraulic fluids HLP (DIN 51524 part 2). For use of environmentally acceptable fluids (vegetable or polyglycol base) please consult us.	
Fluid Temperature	°C (°F)	-20....+80 (-4....+176) [NBR seals]	
Permissible degree of fluid contamination		ISO 4572: $\beta_{x \geq 75} X=12...15$ ISO 4406: class 20/18/15 NAS 1638: class 9	
Viscosity range	mm ² /s	5....420	

Part Number	Description	Max. Quantity	Shipment (Business Days)
R933003508	L8410A201000030 ED1-LS	10	10
R930055720	L8410A201000030HA-KE.ED1-LS-Z-SAE8-A201&	10	10
R933003509	L8410B201000030 ED1-LS	10	10
R930055701	L8410B201000030HA-KE.ED1-LS-Z-SAE8-B201&	10	10
R933003600	L8410E201000030 ED1-LS	10	10
R930055705	L8410E201000030HA-KE.ED1-LS-Z-SAE8-E201&	10	10
R930055687	L8410Y301000030HA-KE.ED1-LS-Z-SAE-Y301-&	10	10
R930055707	L8410Y301000030-KE.ED1-LS-Z-SAE8-Y301-N	10	10
R933003615	L8411A201000030 ED2-LS	10	10
R930055722	L8411A201000030HA-KE.ED2-LS-DZ-SAE8-A20&	10	10
R933003616	L8411B201000030 ED2-LS	10	10
R930055699	L8411B201000030HA-KE.ED2-LS-DZ-SAE8-B20&	10	10
R933003617	L8411E201000030 ED2-LS	10	10
R933008225	L8411E201000030HA ED2-LS	10	10
R930055689	L8411Y301000030HA-KE.ED2-LS-DZ-SAE8-Y30&	10	10
R930055676	L8411Y301000030-KE.ED2-LS-DZ-SAE8-Y301-N	10	10

1) "Shipment" defined as – not to exceed the time from receipt of order to Bosch Rexroth Hydraulics to shipment ex-factory (Bosch Rexroth plant location).

GoTo Focused Delivery Program: Compact Hydraulics

4/3 – 4/2 Load sensing directional valve elements proportional controls L8_80... (ED4-P-LS)



Proportional directional valve elements L8_80 with load sensing connections provide load pressure-compensated flow control for the start, stop, direction, and volume of oil flow.

For complete engineering and design information:
GoTo www.boschrexroth-us.com/GoTocompact

Features

- Valve element with direct proportional control of spool
- Control spool operated by screwed-in solenoid with extractable coil
- In the de-energized condition, the control spool is held in the central position by return springs.
- Wet pin proportional tubes for DC coils, with push rod for mechanical override; nickel plated surface
- Manual override (push-button or screw type) available upon request
- Plug-in connectors available: EN 175301-803 (Was DIN 43650) and DT04-2P (Deutsch)

Detailed information:

- RA18301-06

Technical Data

General		
Weight (valve element with 2 solenoids)	kg (lbs)	2.20 (4.85)
Weight (valve element with 1 solenoid)	kg (lbs)	1.70 (3.75)
Ambient Temperature	°C (°F)	-20....+50 (-4....+122) [NBR seals]
Hydraulic		
Maximum pressure (P)	bar (psi)	310 (4500)
Maximum dynamic pressure (T)	bar (psi)	210 (3050)
Maximum static pressure (T)	bar (psi)	250 (3625)
Maximum inlet flow	l/min (GPM)	45 (11.9)
Nominal flow with $\Delta P = 10$ bar	l/min (GPM)	10, 20, 30 (2.64, 5.28, 7.9)
Hydraulic fluid General properties: it must have physical lubricating and chemical properties suitable for use in hydraulic systems such as, for example:		Mineral oil based hydraulic fluids HL (DIN 51524 part 1). Mineral oil based hydraulic fluids HLP (DIN 51524 part 2). For use of environmentally acceptable fluids (vegetable or polyglycol base) please consult us.
Fluid Temperature	°C (°F)	-20....+80 (-4....+176) [NBR seals]
Permissible degree of fluid contamination		ISO 4572: $\beta_{x \geq 75} X=12...15$ ISO 4406: class 20/18/15 NAS 1638: class 9
Viscosity range	mm ² /s	20....380 (optimal 30....46)

Part Number	Description	Max. Quantity	Shipment (Business Days)
R930061810	L8481B2S4000030HA-KE.ED4-P1-LS-SAE8-B2S4-ELHA-N (0-20LPM)	10	10
R930061811	L8481B2S6000030HA-KE.ED4-P1-LS-SAE8-B2S6-ELHA-N (0-30LPM)	10	10
R930061813	L8481E2I6000030-KE.ED4-P1-LS-SAE8-PT9-E2I6-N (0-30LPM)	10	10
R930061815	L8481E2S4000030HA-KE.ED4-P1-LS-SAE8-E2S4-ELHA-N (0-20LPM)	10	10
R930061816	L8481E2S4000030-KE.ED4-P1-LS-SAE8-PT9-E2S4-N (0-20LPM)	10	10
R930061817	L8481E2S6000030HA-KE.ED4-P1-LS-SAE8-E2S6-ELHA-N (0-20LPM)	10	10
R930061818	L8481E2S6000030-KE.ED4-P1-LS-SAE8-PT9-E2S6-N (0-30LPM)	10	10

1) "Shipment" defined as – not to exceed the time from receipt of order to Bosch Rexroth Hydraulics to shipment ex-factory (Bosch Rexroth plant location).

GoTo Focused Delivery Program: Compact Hydraulics

4/3 Load sensing lever-operated directional valve elements L8_L1... (ED-LV-LS)

	<p>Directional valve elements L8_1... are compact manual operated valves which control the start, the stop and the direction of the oil flow. The hand operated lever moves the control spool from its neutral-central position “0” to the required position “a” or “b”, and the required flow from P to A (with B to T), or P to B (with A to T) is achieved.</p> <p>For complete engineering and design information: GoTo www.boschrexroth-us.com/GoToCompact</p>
---	---

Features

- Valve elements with 4 ways and 3 positions
- Control spools manual operated by hand lever
- Control spool with return spring or mechanical detent for all three positions.

Detailed information:
• RA18301-10

Technical Data

General		
Weight	kg (lbs)	1.55 (3.42)
Mounting position	kg (lbs)	Unrestricted
Ambient Temperature	°C (°F)	-20....+50 (-4....+122) [NBR seals]
Hydraulic		
Maximum pressure (P)	bar (psi)	310 (4500)
Maximum static pressure (T)	bar (psi)	180 (2610)
Maximum inlet flow	l/min (GPM)	60 (15.9)
Nominal flow with ΔP = 10 bar	l/min (GPM)	10, 20, 30 (2.64, 5.28, 7.9)
Hydraulic fluid General properties: it must have physical lubricating and chemical properties suitable for use in hydraulic systems such as, for example:		Mineral oil based hydraulic fluids HL (DIN 51524 part 1). Mineral oil based hydraulic fluids HLP (DIN 51524 part 2). For use of environmentally acceptable fluids (vegetable or polyglycol base) please consult us.
Fluid Temperature	°C (°F)	-20....+80 (-4....+176) [NBR seals]
Permissible degree of fluid contamination		ISO 4572: β _x ≥75 X=12...15 ISO 4406: class 20/18/15 NAS 1638: class 9
Viscosity range	mm ² /s	20....380 (optimal 30....46)

Part Number	Description	Max. Quantity	Shipment (Business Days)
R930055716	L84L1A2S8A0M130-EV.ED-LV-LS-SAE8-A2S8-L&	10	10
R930055717	L84L1B2S4A0M130-EV.ED-LV-LS-SAE8-B2S4-L&	10	10
R933007585	L84L1B2S8A0M130 ED-LV-LS	10	10
R930055718	L84L1E2S4A0M130-EV.ED-LV-LS-SAE8-E2S4-L&	10	10
R933007882	L84L1E2S8A0M130 ED-LV-LS	10	10

1) "Shipment" defined as – not to exceed the time from receipt of order to Bosch Rexroth Hydraulics to shipment ex-factory (Bosch Rexroth plant location).

GoTo Focused Delivery Program: Compact Hydraulics

4/3 – 4/2 Load sensing directional valve elements D8_5... (EDD-XZ-LS)



Load sensing directional valve elements D8_5 are compact direct operated solenoid valves which provide load-compensated control of the start, stop, and the direction of oil flow.

For complete engineering and design information:
GoTo www.boschrexroth-us.com/GoToCompact

Features

- Valve elements with solenoid operated directional spool
- Control spools directly operated by solenoids with removable coils
- In the de-energized condition, the control spool is held in the central position by return springs
- Manual override (push-button, screw type) available as option
- Optional anti-cavitation/relief function available

Detailed information:

- RA18301-12

Technical Data

General		
Weight with two solenoids	kg (lbs)	3.00 (6.61)
Weight with one solenoid	kg (lbs)	2.35 (5.18)
Ambient temperature	°C (°F)	-20....+50 (-4....+122)
Hydraulic		
Max pressure (P)	bar (psi)	310 (4500)
Max pressure (A and B ports)	bar (psi)	380 (5500)
Max pressure (T)	bar (psi)	250 (3625)
Max inlet flow	l/min (GPM)	80 (21.1)
Hydraulic fluid General properties: it must have physical lubricating and chemical properties suitable for use in hydraulic systems such as, for example:		Mineral oil based hydraulic fluids HL (DIN 51524 part 1). Mineral oil based hydraulic fluids HLP (DIN 51524 part 2). For use of environmentally acceptable fluids (vegetable or polyglycol base) please consult us.
Fluid Temperature	°C (°F)	-20....+80 (-4....+176) [NBR seals]
Permissible degree of fluid contamination		ISO 4572: $\beta_x \geq 75$ X=12...15 ISO 4406: class 20/18/15 NAS 1638: class 9
Viscosity range	mm ² /s	5....420

Part Number	Description	Max. Quantity	Shipment (Business Days)
R930052744	D845B2010000D00000 EDD-LS	10	10
R930051041	D845B2010000D000V1-KE.EDD-LS-XZ-SAE10-B&	10	10
R930052751	D845B2010000DTT000 EDD-LS	10	10
R930052764	D845E2010000D00000 EDD-LS	10	10
R930051044	D845E2010000D000V1-KE.EDD-LS-XZ-SAE10-E&	10	10
R930052766	D845E2010000DTT000-KE.EDD-LS-XZ-A210-B2&	10	10

1) "Shipment" defined as – not to exceed the time from receipt of order to Bosch Rexroth Hydraulics to shipment ex-factory (Bosch Rexroth plant location).

GoTo Focused Delivery Program: Compact Hydraulics

Exit plate, basic

TC...

	<p>The exit plate TC... is employed as end plates to plug the P and T channels of the ED element of the Directional Valve Assembly, or to provide an extra port for P, T, or P and T.</p> <p>For complete engineering and design information: GoTo www.boschrexroth-us.com/GoTocompact</p>
---	---

Features

- Port sizes are available in SAE 6 and SAE 8

Detailed information:
• RA18301-60

Technical Data

General		
Weight (w/o ports & SAE 6)	kg (lbs)	0.3 (0.66)
Weight (SAE 8)	kg (lbs)	0.5 (1.10)
Ambient Temperature	°C (°F)	-20....+50 (-4....+120) [NBR seals]
Hydraulic		
Maximum pressure (TC0000)	bar (psi)	250 (3600)*
Maximum pressure	bar (psi)	210 (3000)*
Maximum flow	l/min (GPM)	60 (15)
Hydraulic fluid General properties: it must have physical lubricating and chemical properties suitable for use in hydraulic systems such as, for example:		Mineral oil based hydraulic fluids HL (DIN 51524 part 1). Mineral oil based hydraulic fluids HLP (DIN 51524 part 2). For use of environmentally acceptable fluids (vegetable or polyglycol base) please consult us.
Fluid Temperature	°C (°F)	-20....+80 (-4....+176) [NBR seals]
Permissible degree of fluid contamination		ISO 4572: $\beta_{x \geq 75} X=12...15$ ISO 4406: classe 20/18/15 NAS 1638: classe 9
Viscosity range	mm ² /s	5....420

*310 bar (4500 PSI) available. Consult factory.

Part Number	Description	Max. Quantity	Shipment (Business Days)
R933003326	TC-00-00-00-AL	10	10
R987271813	TC0155	10	10
R978046786	TC0177	10	10
R987271814	TC0255	10	10
R978046787	TC0277	10	10
R987271815	TC0355	10	10

1) "Shipment" defined as – not to exceed the time from receipt of order to Bosch Rexroth Hydraulics to shipment ex-factory (Bosch Rexroth plant location).

GoTo Focused Delivery Program: Compact Hydraulics

Intermediate plate, with double-acting hand pump EPM-DE-18

	<p>The intermediate plate with an auxiliary hand pump is inserted between the inlet plate and ED modular directional valves. It can be used to regulate the direction of the flow, and to generate pressure without other energy sources.</p> <p>For complete engineering and design information: GoTo www.boschrexroth-us.com/GoToCompact</p>
---	---

Features

- Flow is transferred in both push and pull movements

Detailed information:
• RA18301-30

Technical Data

General		
Weight (EPM)	kg (lbs)	3.8 (8.4)
Weight (extension lever)	kg (lbs)	0.7 (1.5)
Ambient Temperature	°C (°F)	-20....+50 (-4....+120) [NBR seals]
Hydraulic		
Maximum pressure (resistance)	bar (psi)	310 (4500)
Maximum pressure (generated)	bar (psi)	250 (3625)
Opening displacement	cc (in ³)	8.5 (0.51)
Closing displacement	cc (in ³)	9.5 (0.57)
Hydraulic fluid General properties: it must have physical lubricating and chemical properties suitable for use in hydraulic systems such as, for example:		Mineral oil based hydraulic fluids HL (DIN 51524 part 1). Mineral oil based hydraulic fluids HLP (DIN 51524 part 2). For use of environmentally acceptable fluids (vegetable or polyglycol base) please consult us.
Fluid Temperature	°C (°F)	-20....+80 (-4....+176) [NBR]
Permissible degree of fluid contamination		ISO 4572: β _x ≥75 X=12...15 ISO 4406: classe 20/18/15 NAS 1638: classe 9
Viscosity range	mm ² /s	5....420
Maximum internal leakage	cc/min (in ³ /min)	0.2 (0.012)

Part Number	Description	Max. Quantity	Shipment (Business Days)
R933003084	L8870000000000-EPM-DE-18	10	10

1) "Shipment" defined as – not to exceed the time from receipt of order to Bosch Rexroth Hydraulics to shipment ex-factory (Bosch Rexroth plant location).

GoTo Focused Delivery Program: Compact Hydraulics

Intermediate elements for interfacing ED with M4-12

TI-M412-__-__



The adaptor elements TI-M412 -__ are employed to connect an ED directional valve assembly to a main control valve Rexroth M4-12.

For complete engineering and design information:
GoTo www.boschrexroth-us.com/GoTocompact

Features

These elements consist of body made of Yellow Zinc plated (Cr+3) steel which incorporates the following items:

- a check valve on the P -- P1 line
- a shuttle valve on the LS lines
- a relief valve on the LS line which control max pressure output
- a pressure compensated orifice which drains the LS pressure by unloading a small regulated flow to tank

Detailed information:

- RA18301-29

Technical Data

General		
Weight (EPM)	kg (lbs)	6 (13.2)
Ambient Temperature	°C (°F)	-20....+50 (-4....+120) [NBR seals]

Hydraulic		
Maximum pressure	bar (psi)	310 (4500)
Maximum flow at P1	bar (psi)	The max. rated flow depends on the directional control element
Hydraulic fluid General properties: it must have physical lubricating and chemical properties suitable for use in hydraulic systems such as, for example:		Mineral oil based hydraulic fluids HL (DIN 51524 part 1). Mineral oil based hydraulic fluids HLP (DIN 51524 part 2). For use of environmentally acceptable fluids (vegetable or polyglycol base) please consult us.
Fluid Temperature	°C (°F)	-20....+80 (-4....+176) [NBR]
Permissible degree of fluid contamination		ISO 4572: $\beta_x \geq 75$ X=12...15 ISO 4406: classe 20/18/15 NAS 1638: classe 9
Viscosity range	mm ² /s	5....420

Part Number	Description	Max. Quantity	Shipment (Business Days)
R933003086	TI-M412-00-02-ST	10	10

1) "Shipment" defined as – not to exceed the time from receipt of order to Bosch Rexroth Hydraulics to shipment ex-factory (Bosch Rexroth plant location).

GoTo Focused Delivery Program: Compact Hydraulics

Stacking modules, pilot operated check L884A... (EDM-PO)



The secondary flangeable elements EDM-PO-__ can be interfaced and bolted on top of the A and B ports of the ED elements of the Directional Valve Assembly.

They incorporate two Cross Piloted Check Valves which allow free flow toward the A and B outlet ports, and lock in a leak free mode the flow returning from the actuator, until sufficient pilot pressure is built up in the opposite line and the check valve is opened.

For complete engineering and design information:
GoTo www.boschrexroth-us.com/GoTocompact

Features

- Hydraulic port sizes: A and B – SAE 8.
- Special coating and plating available, C.F.

Detailed information:

- RA18301-40

Technical Data

General		
Ambient Temperature	°C (°F)	-20....+50 (-4....+120)
Material		Aluminum
Hydraulic		
Maximum pressure	bar (psi)	210 (3000)
Maximum flow	l/min (GPM)	60 (15)
Hydraulic fluid General properties: it must have physical lubricating and chemical properties suitable for use in hydraulic systems such as, for example:		Mineral oil based hydraulic fluids HL (DIN 51524 part 1). Mineral oil based hydraulic fluids HLP (DIN 51524 part 2). For use of environmentally acceptable fluids (vegetable or polyglycol base) please consult us.
Fluid Temperature	°C (°F)	-20....+80 (-4....+176) [NBR]
Permissible degree of fluid contamination		ISO 4572: $\beta_{x \geq 75} X=12...15$ ISO 4406: classe 20/18/15 NAS 1638: classe 9
Viscosity range	mm ² /s	5....420

*310 bar (4500 PSI) available. Consult factory.

Part Number	Description	Max. Quantity	Shipment (Business Days)
R987271885	L884A000A010030	10	10
R987271887	L884A000B010030	10	10
R987271883	L884A00AB010030	10	10

1) "Shipment" defined as – not to exceed the time from receipt of order to Bosch Rexroth Hydraulics to shipment ex-factory (Bosch Rexroth plant location).

GoTo Focused Delivery Program: Compact Hydraulics

Stacking modules, cross-over relief

L886A... (EDM-CR)



The secondary flangeable elements EDM-CR-__ can be interfaced and bolted on top of the A and B ports of the ED elements of the Directional Valve Assembly.

The body consists of one direct acting pressure relief valve. The relief valve for line A releases the oil into line B and vice versa.

For complete engineering and design information:
GoTo www.boschrexroth-us.com/GoTocompact

Features

- Port sizes: A and B – SAE 8
- Special coating and plating available, C.F.

Detailed information:

- RA18301-41

Technical Data

General				
Ambient Temperature	°C (°F) -20....+50 (-4....+120)			
Material	Aluminum			
Hydraulic				
		AB	OA	OB
Maximum pressure	bar (psi)	210 (3000)	210 (3000)	210 (3000)
Maximum flow	l/min (GPM)	60 (15)	50 (13)	60 (15)
Hydraulic fluid General properties: it must have physical lubricating and chemical properties suitable for use in hydraulic systems such as, for example:		Mineral oil based hydraulic fluids HL (DIN 51524 part 1). Mineral oil based hydraulic fluids HLP (DIN 51524 part 2). For use of environmentally acceptable fluids (vegetable or polyglycol base) please consult us.		
Fluid Temperature	°C (°F)	-20....+80 (-4....+176) [NBR]		
Permissible degree of fluid contamination		ISO 4572: $\beta_x \geq 75$ X=12...15 ISO 4406: classe 20/18/15 NAS 1638: classe 9		
Viscosity range	mm ² /s	5....420		

*310 bar (4500 PSI) available. Consult factory.

Part Number	Description	Max. Quantity	Shipment (Business Days)
R987273979	L886A020AS20030	10	10
R987273980	L886A020AS30030	10	10
R987273981	L886A020BS10030	10	10
R987273983	L886A020BS30030	10	10
R987273975	L886A02ABS10030	10	10
R987273976	L886A02ABS20030	10	10

1) "Shipment" defined as – not to exceed the time from receipt of order to Bosch Rexroth Hydraulics to shipment ex-factory (Bosch Rexroth plant location).

GoTo Focused Delivery Program: Compact Hydraulics

Stacking modules – Flow control

L885A... (EDM-FC)



The secondary flangeable elements EDM-FC-__ can be interfaced and bolted on top of the A and B ports of the ED elements of the Directional Valve Assembly. They incorporate two unidirectional flow restrictors, and depending on the version selected, allow free flow A1>A2 and B1>B2, with controlled/restricted flow in the reverse directions A2>A1 and B2>B1, or vice-versa.

For complete engineering and design information:
GoTo www.boschrexroth-us.com/GoToCompact

Features

- Hydraulic port sizes: A and B – SAE B
- Special coating and plating available, C.F.

Detailed information:

- RA18301-42

Technical Data

General		
Ambient Temperature	°C (°F)	-20....+50 (-4....+120)
Material		Aluminum
Hydraulic		
Maximum pressure	bar (psi)	210 (3000)
Maximum flow	l/min (GPM)	60 (15)
Hydraulic fluid General properties: it must have physical lubricating and chemical properties suitable for use in hydraulic systems such as, for example:		Mineral oil based hydraulic fluids HL (DIN 51524 part 1). Mineral oil based hydraulic fluids HLP (DIN 51524 part 2). For use of environmentally acceptable fluids (vegetable or polyglycol base) please consult us.
Fluid Temperature	°C (°F)	-20....+80 (-4....+176) [NBR]
Permissible degree of fluid contamination		ISO 4572: $\beta_x \geq 75$ X=12...15 ISO 4406: classe 20/18/15 NAS 1638: classe 9
Viscosity range	mm ² /s	5....420

*310 bar (4500 PSI) available. Consult factory.

Part Number	Description	Max. Quantity	Shipment (Business Days)
R987273965	L885A010A2K0030	10	10
R987273966	L885A010A2S0030	10	10
R987273968	L885A010B2S0030	10	10
R987273964	L885A01AB2S0030	10	10
R987273972	L885A020A2S0030	10	10
R987273974	L885A020B2S0030	10	10
R987273970	L885A02AB2S0030	10	10

1) "Shipment" defined as – not to exceed the time from receipt of order to Bosch Rexroth Hydraulics to shipment ex-factory (Bosch Rexroth plant location).

GoTo Focused Delivery Program: Compact Hydraulics

Stacking modules – Counterbalance

L8835A2... (EDM-CB)



The secondary flangeable elements EDM-CB-__ can be interfaced and bolted on top of the A and B ports of the ED elements of the Directional Valve Assembly. They incorporate one or two cross piloted counterbalance valves which allow free flow toward the A and B outlet ports, and lock in a leak free mode the flow returning from the actuator. Pilot pressure in the opposite line reduces the pressure setting of the counterbalance valve in proportion to the pilot ratio until opening and allowing the flow return from the actuator.

For complete engineering and design information:
GoTo www.boschrexroth-us.com/GoTocompact

Features

- Hydraulic port sizes: A and B – SAE B
- Special coating and plating available, C.F.

Detailed information:

- RA18301-43

Technical Data

General		
Ambient Temperature	°C (°F)	-20....+50 (-4....+120)
Material		Aluminum
Hydraulic		
Maximum pressure	bar (psi)	210 (3000)
Maximum flow	l/min (GPM)	60 (15)
Hydraulic fluid General properties: it must have physical lubricating and chemical properties suitable for use in hydraulic systems such as, for example:		Mineral oil based hydraulic fluids HL (DIN 51524 part 1). Mineral oil based hydraulic fluids HLP (DIN 51524 part 2). For use of environmentally acceptable fluids (vegetable or polyglycol base) please consult us.
Fluid Temperature	°C (°F)	-20....+80 (-4....+176) [NBR]
Permissible degree of fluid contamination		ISO 4572: $\beta_x \geq 75$ X=12...15 ISO 4406: classe 20/18/15 NAS 1638: classe 9
Viscosity range	mm ² /s	5....420

*310 bar (4500 PSI) available. Consult factory.

Part Number	Description	Max. Quantity	Shipment (Business Days)
R987273961	L8835A20A20S330	10	10
R987273962	L8835A20A35S330	10	10
R987274184	L8835A20B35S330	10	10
R987273959	L8835A2AB20S330	10	10
R987273960	L8835A2AB35S330	10	10
R978055153	L8835A2AB35S830	10	10

1) "Shipment" defined as – not to exceed the time from receipt of order to Bosch Rexroth Hydraulics to shipment ex-factory (Bosch Rexroth plant location).

GoTo Focused Delivery Program: Compact Hydraulics

Secondary pressure and anti-cav relief for EDC L8565... (EDCM/EDCMF-VM)



These modular secondary elements can be flange mounted on top of the EDC elements machined with the interfacing surface. They let through free flow to the A (or B) port until pressure increases and reaches the selected pressure setting; then they release flow into the tank channels.

For complete engineering and design information:
GoTo www.boschrexroth-us.com/GoTocompact

Features

- Body made from yellow zinc-plated cast iron
- Designed for quick response and stable pressure control
- Incorporate a reverse flow check for anti-cavitation.

Detailed information:

- RA18301-45

Technical Data

General		
Weight	kg (lbs)	0.6 (1.3)
Ambient Temperature	°C (°F)	-20....+50 (-4....+120) [NBR seals]
Hydraulic		
Maximum pressure	bar (PSI)	310 (4500)
Maximum flow	l/min (GPM)	30 (7.93)
Hydraulic fluid General properties: it must have physical lubricating and chemical properties suitable for use in hydraulic systems such as, for example:		Mineral oil based hydraulic fluids HL (DIN 51524 part 1). Mineral oil based hydraulic fluids HLP (DIN 51524 part 2). For use of environmentally acceptable fluids (vegetable or polyglycol base) please consult us.
Fluid Temperature	°C (°F)	-20....+80 (-4....+176) [NBR seals]
Permissible degree of fluid contamination		ISO 4572: $\beta_{x \geq 75} X=12...15$ ISO 4406: classe 20/18/15 NAS 1638: classe 9
Viscosity range	mm ² /s	5....420

Part Number	Description	Max. Quantity	Shipment (Business Days)
R930055672	L8565010A090030-EV.EDCMF-SAE8-VUM/A-0.5&	10	10
R930055671	L8565010A0M0030-EV.EDCMF-SAE8-VMA/A-140&	10	10
R930055670	L8565010A0T0030-EV.EDCMF-SAE8-VMA/A-210&	10	10
R930055669	L8565010B090030-EV.EDCMF-SAE8-VUM/B-0.5&	10	10
R933009091	L8565010B0M0030-EV.EDCMF-SAE8-VMA/B-140&	10	10
R933009092	L8565010B0T0030 EDCMF-VM	10	10
R933009078	L856501ABMM0030-EV.EDCMF-SAE8-VMA/AB-14&	10	10
R930055668	L856501ABMM00M0-EV.EDCM-VMA/AB-MOD-140B&	10	10
R933009079	L856501ABTT0030-EV.EDCMF-SAE8-VMA/AB-21&	10	10
R930055667	L856501ABTT00M0-EV.EDCM-VMA/AB-MOD-210B&	10	10
R933009080	L856501ABXX0030-EV.EDCMF-SAE8-VMA/AB-25&	10	10
R930055666	L856501ABXX00M0-EV.EDCM-VMA/AB-MOD-250B&	10	10

1) "Shipment" defined as – not to exceed the time from receipt of order to Bosch Rexroth Hydraulics to shipment ex-factory (Bosch Rexroth plant location).

GoTo Focused Delivery Program: Compact Hydraulics

Secondary pressure relief for EDC, A- & B-sides L8561... (EDCM-VM5)



These modular secondary elements can be flange mounted on top of the EDC elements machined with the interfacing surface. They let through free flow to the A (or B) port until pressure increases and reaches the pressure setting; then they release flow into the Tank channels (T). The maximum secondary pressure in line A, or B, can be adjusted through the adjuster screw.

For complete engineering and design information:
GoTo www.boschrexroth-us.com/GoTocompact

Features

- Body is made of Yellow Zinc Plated (Cr+3) Cast Iron (CI)
- Hydraulic Ports A2 and B2 are size G3/8 and G1/2
- The modular version (M) enables flanging with other types of EDCM-modular-elements

Detailed information:

- RA18301-47

Technical Data

General		
Weight	kg (lbs)	2.0 (4.4)
Ambient Temperature	°C (°F)	-20....+50 (-4....+120) [NBR seals]
Hydraulic		
Maximum pressure	bar (psi)	310 (4500)
Maximum flow at P1	l/min (GPM)	50 (13.2)
Hydraulic fluid General properties: it must have physical lubricating and chemical properties suitable for use in hydraulic systems such as, for example:		Mineral oil based hydraulic fluids HL (DIN 51524 part 1). Mineral oil based hydraulic fluids HLP (DIN 51524 part 2). For use of environmentally acceptable fluids (vegetable or polyglycol base) please consult us.
Fluid Temperature	°C (°F)	-20....+80 (-4....+176) [NBR seals]
Permissible degree of fluid contamination		ISO 4572: $\beta_{x \geq 75} X=12...15$ ISO 4406: classe 20/18/15 NAS 1638: classe 9
Viscosity range	mm ² /s	5....420

Part Number	Description	Max. Quantity	Shipment (Business Days)
R933008654	L856105ABSBB0M0-EV.EDCM-VM5/AB-SB-SB-MO&	10	10
R933009946	L856105ABSVM0M0-EV.EDCM-VM5/AB-SV-SV-MO&	10	10

1) "Shipment" defined as – not to exceed the time from receipt of order to Bosch Rexroth Hydraulics to shipment ex-factory (Bosch Rexroth plant location).

GoTo Focused Delivery Program: Compact Hydraulics

Cross-piloted check valves for EDC

L8541... (EDCM/EDCMF-VR)



These secondary flangeable elements can be interfaced and bolted on top of the A and B ports of the ED elements of the directional valve assembly. They incorporate two cross piloted check valves which allow free flow toward the A and B outlet ports, and lock in a leak-free mode the flow returning from the actuator, until sufficient pilot pressure is built up in the opposite line and the check valve is opened.

For complete engineering and design information:
GoTo www.boschrexroth-us.com/GoToCompact

Features

- Body made from yellow zinc-plated cast iron
- Hydraulic Ports A2 and B2 are size G3/8 or G1/2 or 3/4-16 UNF 2-B (SAE8)

Detailed information:
• RA18301-46

Technical Data

General		
Weight	kg (lbs)	2.0 (4.4)
Ambient Temperature	°C (°F)	-20....+50 (-4....+120) [NBR seals]
Hydraulic		
Maximum pressure	bar (psi)	310 (4500)
Maximum flow	l/min (GPM)	70 (18.5)
Hydraulic fluid General properties: it must have physical lubricating and chemical properties suitable for use in hydraulic systems such as, for example:		Mineral oil based hydraulic fluids HL (DIN 51524 part 1). Mineral oil based hydraulic fluids HLP (DIN 51524 part 2). For use of environmentally acceptable fluids (vegetable or polyglycol base) please consult us.
Fluid Temperature	°C (°F)	-20....+80 (-4....+176) [NBR seals]
Permissible degree of fluid contamination		ISO 4572: $\beta_{x \geq 75} X=12...15$ ISO 4406: classe 20/18/15 NAS 1638: classe 9
Viscosity range	mm ² /s	5....420

Part Number	Description	Max. Quantity	Shipment (Business Days)
R930055680	L8541000A010030 EDCMF-VR	10	10
R930055659	L8541000A0100M0-EV.EDCM-VR/A-0.5BAR-MOD&	10	10
R930055658	L8541000B010030-EV.EDCMF-VR/B-0.5BAR-SA&	10	10
R930055657	L8541000B0100M0-EV.EDCMF-VR/B-0.5BAR-MO&	10	10
R930055656	L854100AB010030 EDCMF-VR	10	10
R930053207	L854100AB0100M0-EV.EDCM-VR/AB-0.5BAR-MO%	10	10

1) "Shipment" defined as – not to exceed the time from receipt of order to Bosch Rexroth Hydraulics to shipment ex-factory (Bosch Rexroth plant location).

GoTo Focused Delivery Program: Compact Hydraulics

Flangeable elements, with different ports for EDC EDCMF-...



These modular secondary elements EDCMF_... can be flange mounted on top of the EDC elements machined with the interfacing surface.

For complete engineering and design information:
GoTo www.boschrexroth-us.com/GoTocompact

Features

- Body is made of Yellow Zinc Plated (Cr+3) Cast Iron (CI)
- They let through free flow to the A (or B) port

Detailed information:

- RA18301-48

Technical Data

General		
Weight	kg (lbs)	0.6 (1.3)
Ambient Temperature	°C (°F)	-20....+50 (-4....+120) [NBR seals]

Hydraulic		
Maximum pressure	bar (psi)	310 (4500)
Maximum flow	l/min (GPM)	60 (16)
Hydraulic fluid General properties: it must have physical lubricating and chemical properties suitable for use in hydraulic systems such as, for example:		Mineral oil based hydraulic fluids HL (DIN 51524 part 1). Mineral oil based hydraulic fluids HLP (DIN 51524 part 2). For use of environmentally acceptable fluids (vegetable or polyglycol base) please consult us.
Fluid Temperature	°C (°F)	-20....+80 (-4....+176) [NBR seals]
Permissible degree of fluid contamination		ISO 4572: $\beta_{x \geq 75} X=12...15$ ISO 4406: classe 20/18/15 NAS 1638: classe 9
Viscosity range	mm ² /s	5....420

Part Number	Description	Max. Quantity	Shipment (Business Days)
R933009247	EDCMF-SAE10 (7/8-14 UNF)	10	10
R933009246	EDCMF-SAE8 (3/4-16 UNF)	10	10

1) "Shipment" defined as – not to exceed the time from receipt of order to Bosch Rexroth Hydraulics to shipment ex-factory (Bosch Rexroth plant location).

GoTo Focused Delivery Program: Compact Hydraulics

Bankable accessories

GoTo www.boschrexroth-us.com/GoToaccess

Coil Seal Kit

Material Description	Material No.
SEAL KIT K-1000A (Universal)	R987367243
SUB-ASSEMBLY 271-10025-KIT GHIERA&	R933002851
271-1002 SEAL KIT COIL NUT C36	R933002807
271-10160 SEAL KIT COIL NUT C45, C48	R933003529
271-8010350 SEAL KIT COIL NUT P45	R933002876

Part Number	Description	Max. Quantity	Shipment (Business Days)
R933002807	271-1002 SEAL KIT COIL NUT C36	10	10
R933003529	271-10160 SEAL KIT COIL NUT C45, C48	10	10
R933002876	271-8010350 SEAL KIT COIL NUT P45	10	10
R987367243	SEAL KIT K-1000A (Universal)	10	10

1) "Shipment" defined as – not to exceed the time from receipt of order to Bosch Rexroth Hydraulics to shipment ex-factory (Bosch Rexroth plant location).

GoTo Focused Delivery Program: Compact Hydraulics

Bankable accessories (continued)

GoTo www.boschrexroth-us.com/GoToaccess

Bankable Flow Restrictors

Type	Material Description	Material No.	Notes
Bankable flow restrictor, closed orifice	RESTRICTOR D9.0XD0.0XL4.0	R933002936	Use with ED1, ED2, ED-LV, EDC, and EDD valves with A201 spool (series circuit)
Bankable flow restrictor, 0.8mm orifice	RESTRICTOR D9.0XD0.8XL4.0	R933002937	Use with ED1, ED2, ED-LV, EDC, and EDD valves
Bankable flow restrictor, 1.0mm orifice	RESTRICTOR D9.0XD1.0XL4.0	R933007090	Use with ED1, ED2, ED-LV, EDC, and EDD valves
Bankable flow restrictor, 1.35mm orifice	RESTRICTOR D7.5XD1.35XL4.2	R933002927	Use with EDB bankable directional valves
Bankable flow restrictor, 1.7mm orifice	RESTRICTOR D9.0XD1.7XL4.0	R933007091	Use with ED1, ED2, ED-LV, EDC, and EDD valves
Bankable flow restrictor, 1.6mm orifice	RESTRICTOR D9.0XD1.6XL4.0	R933002938	Use with ED1, ED2, ED-LV, EDC, and EDD valves
Bankable flow restrictor, 2.0mm orifice	RESTRICTOR D9.0XD2.0XL4.0	R933002939	Use with ED1, ED2, ED-LV, EDC, and EDD valves
Bankable flow restrictor, 2.75mm orifice	RESTRICTOR D9.0XD2.75XL4.0	R933002940	Use with ED1, ED2, ED-LV, EDC, and EDD valves
Bankable flow restrictor, 3.0mm orifice	RESTRICTOR D9.0XD3.0XL4.0	R933002941	Use with ED1, ED2, ED-LV, EDC, and EDD valves

Part Number	Description	Max. Quantity	Shipment (Business Days)
R933002851	SUB-ASSEMBLY 271-10025-KIT GHIERA&	10	10
R933002936	0.00-----50-07000 ORIFICE DISK 9.0	10	10
R933002937	0.80-----50-07020 ORIFICE DISK 9.0	10	10
R933007090	1.00-----50-07021 ORIFICE DISK 9.0	10	10
R933007091	1.70-----50-07031 ORIFICE DISK 9.0	10	10
R933002938	1.60-----50-07030 ORIFICE DISK 9.0	10	10
R933002939	2.00-----50-07040 ORIFICE DISK 9.0	10	10
R933002940	2.75-----50-07047 ORIFICE DISK 9.0	10	10
R933002941	3.00-----50-07050 ORIFICE DISK 9.0	10	10
R933002927	RESTRICTOR D7.5XD1.35XL4.2	10	10

1) "Shipment" defined as – not to exceed the time from receipt of order to Bosch Rexroth Hydraulics to shipment ex-factory (Bosch Rexroth plant location).

GoTo Focused Delivery Program: Compact Hydraulics

Bankable accessories (continued)

GoTo www.boschrexroth-us.com/GoToaccess

Override Kit

Type	Material Description	Material No.	Notes
Push-button override kit; EP-type, for spool opening	PS.OVR. EP-GM3059/60----- 271-05098 OVERRIDE KIT, PUSH	R933000042	Use with EDBY bankable directional valves
Push-button override kit; EP-type, for spool opening	PS.OVR. EP-GM5042/43----- 271-05099 OVERRIDE KIT, PUSH	R933000043	Use with ED2-DZ bankable directional valves
Screw-type manual override kit, 0F-type, for spool opening	TW.OVR.-EF-360-LC04/1-Z----- LC04ZEF OVERRIDE KIT, SCREW	R933000021	Use with EDC-Z bankable directional valves
Screw-type manual override kit, 0F-type, for spool opening	TW.OVR-EF-360-ED2-DZ----- ED2DZEF OVERRIDE KIT, SCREW	R933007215	Use with ED2-DZ bankable directional valves
Lever-type override kit; 8mm	LEVAD8 M8 ZB L120 LC04/LC1-LVSD5-26-0129 LEVER ED-LV, 8MM	R933008070	Use with D8...bankable directional valves
Extension lever for hand pump ED-type	LVR.DR.-ED-PM-L450----- L88700000000001 Hand Pump – LEVER	R933003300	Use with EPM-DE-18 double-acting hand pump
Lever-type override kit; 5mm	KR-EMERGENZA LEVA-O5-L100-EL1A---- K-2261 OVERRIDE LEVER, 5MM	R933007533	Lever Assembly
Lever-type override kit	SUB-ASSEMBLY K-2274-KIT EMERGENZA&	R933009263	Lever assembly

Part Number	Description	Max. Quantity	Shipment (Business Days)
R933000042	PS.OVR. EP-GM3059/60-----271-05098 OVERRIDE KIT, PUSH	10	10
R933000043	PS.OVR. EP-GM5042/43-----271-05099 OVERRIDE KIT, PUSH	10	10
R933000021	TW.OVR.-EF-360-LC04/1-Z-----LC04ZEF OVERRIDE KIT, SCREW	10	10
R933007215	TW.OVR-EF-360-ED2-DZ-----ED2DZEF OVERRIDE KIT, SCREW	10	10
R933008070	LEVAD8 M8 ZB L120 LC04/LC1-LVSD5-26-0129 LEVER ED-LV, 8MM	10	10
R933003300	LVR.DR.-ED-PM-L450-----L88700000000001 Hand Pump - LEVER	10	10
R933007533	KR-EMERGENZA LEVA-O5-L100-EL1A----K-2261 OVERRIDE LEVER, 5MM	10	10
R933009263	SUB-ASSEMBLY K-2274-KIT EMERGENZA&	10	10

1) "Shipment" defined as – not to exceed the time from receipt of order to Bosch Rexroth Hydraulics to shipment ex-factory (Bosch Rexroth plant location).

GoTo Focused Delivery Program: Compact Hydraulics

Bankable accessories (continued)

GoTo www.boschrexroth-us.com/GoToaccess**Mounting Brackets**

Type	Material Description	Material No.	Notes
1 section screw kit, M8	K-2201-KR-SC-M8X80-ED-01E	R933003721	see RA00159/10.11 – RA18301-90/03.11, pg. 2
2 section tie rod kit, M8	K-2202-KR-SC-M8-ED-06-02E	R933003722	see RA00159/10.11 – RA18301-90/03.11, pg. 2
3 section tie rod kit, M8	K-2203-KR-SC-M8-ED-06-03E	R933003723	see RA00159/10.11 – RA18301-90/03.11, pg. 2
4 section tie rod kit, M8	K-2204-KR-SC-M8-ED-06-04E	R933003724	see RA00159/10.11 – RA18301-90/03.11, pg. 2
5 section tie rod kit, M8	K-2205-KR-SC-M8-ED-06-05E	R933003725	see RA00159/10.11 – RA18301-90/03.11, pg. 2
6 section tie rod kit, M8	K-2206-KR-TR-M8X320-ED-06E	R933003726	see RA00159/10.11 – RA18301-90/03.11, pg. 2
7 section tie rod kit, M8	K-2207-KR-TR-M8X365-ED-07E	R933003727	see RA00159/10.11 – RA18301-90/03.11, pg. 2
8 section tie rod kit, M8	K-2208-KR-TR-M8X410-ED-08E	R933003728	see RA00159/10.11 – RA18301-90/03.11, pg. 2
9 section tie rod kit, M8	K-2209-KR-TR-M8X460-ED-09E	R933003729	see RA00159/10.11 – RA18301-90/03.11, pg. 2
10 section tie rod kit, M8	K-2210-KR-TR-M8X510-ED-10E	R933000000	see RA00159/10.11 – RA18301-90/03.11, pg. 2
Mounting bracket kit, M6	K-2215-KR-FF-M6-ED-06	R933003730	see RA00159/10.11 – RA18301-90/03.11, pg. 3
Mounting bracket kit, PE2-K	K-2216-KR-PIEDE-PE2-K	R933007089	see RA00159/10.11 – RA18301-90/03.11, pg. 3
Mounting bracket kit, TI-M412	K-2217-KR-PIEDE-TI-M412	R933007514	see RA00159/10.11 – RA18301-90/03.11, pg. 3
Single flange bolt kit (60mm), M6	BOLT KIT K-2221A MODULE	R987281101	see RA00159/10.11 – RA18301-90/03.11, pg. 3
Double flange bolt kit (120mm), M6	BOLT KIT K-2222A MODULE	R987281102	see RA00159/10.11 – RA18301-90/03.11, pg. 3

Part Number	Description	Max. Quantity	Shipment (Business Days)
R987281101	BOLT KIT K-2221A MODULE	10	10
R987281102	BOLT KIT K-2222A MODULE	10	10
R933003721	K-2201-KR-SC-M8X80-ED-01E	10	10
R933003722	K-2202-KR-SC-M8-ED-06-02E	10	10
R933003723	K-2203-KR-SC-M8-ED-06-03E	10	10
R933003724	K-2204-KR-SC-M8-ED-06-04E	10	10
R933003725	K-2205-KR-SC-M8-ED-06-05E	10	10
R933003726	K-2206-KR-TR-M8X320-ED-06E	10	10
R933003727	K-2207-KR-TR-M8X365-ED-07E	10	10
R933003728	K-2208-KR-TR-M8X410-ED-08E	10	10
R933003729	K-2209-KR-TR-M8X460-ED-09E	10	10
R933000000	K-2210-KR-TR-M8X510-ED-10E	10	10
R933003730	K-2215-KR-FF-M6-ED-06	10	10
R933007089	K-2216-KR-PIEDE-PE2-K	10	10
R933007514	K-2217-KR-PIEDE-TI-M412	10	10

1) "Shipment" defined as – not to exceed the time from receipt of order to Bosch Rexroth Hydraulics to shipment ex-factory (Bosch Rexroth plant location).

GoTo Focused Delivery Program: Compact Hydraulics

Bankable and diverter coils



For complete engineering and design information: GoTo www.boschrexroth-us.com/GoTocompact

Applicable Valves	Voltage (V)	Connector Type	Material Description	Material No.
EDB-Y bankable valves	12 VDC	DIN plug	C31, 271-0450 EDB-Y, 12 DC, DIN	R933002776
EDB-Y bankable valves	24 VDC	DIN plug	C31, 271-0451 EDB-Y, 24 DC, DIN	R933002777
EDB-Y bankable valves	12 VDC	DEUTSCH DT 04-2P	C31, 271-0452 EDB-Y, 12 DC, DT	R933002778
EDB-Y bankable valves	24 VDC	DEUTSCH DT 04-2P	C31, 271-0453 EDB-Y, 24 DC, DT	R933002779
EDB-Z bankable valves	12 VDC	DIN plug	C36, 271-0510 EDB-Z, ED1, EDC-Z, 12 DC, DIN	R933000044
EDB-Z / ED1 / EDC bankable valves	12 VDC	---	C36, 271-0510002 EDB-Z, ED1, EDC-Z, 12 DC, CABLES	R933000045
EDB-Z / ED1 / EDC bankable valves	12 VDC	DEUTSCH DT 04-2P	C36, 271-0510207 EDB-Z, ED1, EDC-Z, 12 DC, DT	R933000048
EDB-Z / ED1 / EDC bankable valves	24 VDC	DIN plug	C36, 271-0511 EDB-Z, ED1, EDC-Z, 24 DC, DIN	R933000053
EDB-Z / ED1 / EDC bankable valves	24 VDC	---	C36, 271-0511002 EDB-Z, ED1, EDC-Z, 24 DC, CABLES	R933000055
EDB-Z / ED1 / EDC bankable valves	24 VDC	DEUTSCH DT 04-2P	C36, 271-0511207 EDB-Z, ED1, EDC-Z, 24 DC, DT	R933000058
ED2 bankable valves	12 VDC	DIN plug	C45, 271-0417 ED2, 12 DC, DIN	R933000026
ED2 bankable valves	12 VDC	DEUTSCH DT 04-2P	C45, 271-041717 ED2, 12 DC, DT	R933000030
ED2 bankable valves	24 VDC	DEUTSCH DT 04-2P	C45, 271-041719 ED2, 24 DC, DT	R933000032
ED2 bankable valves	24 VDC	DIN plug	C45, 271-0418 ED2, 24 DC, DIN	R933000034
EDD bankable valves, and VS245 diverter valves	12 VDC	DIN plug	C48, 271-0520 ED2, 12 DC, DIN	R933000063
ED2 bankable valves	12 VDC	---	C48, 271-052000 ED2, 12 DC, CABLES	R933000064
EDD bankable valves, and VS245 diverter valves	12 VDC	DEUTSCH DT 04-2P	C48, 271-052004 ED2, 12 DC, DT	R933000068
ED2 bankable valves	24 VDC	---	C48, 271-052005 ED2, 24 DC, CABLES	R933000070

GoTo Focused Delivery Program: Compact Hydraulics

Bankable and diverter coils (continued)



For complete engineering and design information: GoTo www.boschrexroth-us.com/GoTocompact

Applicable Valves	Voltage (V)	Connector Type	Material Description	Material No.
EDD bankable valves, and VS245 diverter valves	24 VDC	DEUTSCH DT 04-2P	C48, 271-052009 ED2, 24 DC, DT	R933000075
EDD bankable valves, and VS245 diverter valves	24 VDC	DIN plug	C48, 271-0521 ED2, 24 DC, DIN	R933000076
VS95 and VS285 diverter valves	12 VDC	DIN plug	C65-01-OB-12DC-44W-H-D25.7-281-0617	R933000100
VS95 and VS285 diverter valves	12 VDC	DEUTSCH DT 04-2P	C65-07-OB-12DC-44W-D25.7-281-06194	R933000107
EDC-P bankable valves	12 VDC	DIN plug	D15, 271-8020210 ED4, ED4-PT, EDC-P, 12 DC, DIN	R933000092
EDC-P bankable valves	24 VDC	DIN plug	D15, 271-8020220 ED4, ED4-PT, EDC-P, 24 DC, DIN	R933000093
EDC-P bankable valves	12 VDC	DEUTSCH DT 04-2P	D15, 271-8020230 ED4, ED4-PT, EDC-P, 12 DC, DT	R933000094
EDC-P bankable valves	24 VDC	DEUTSCH DT 04-2P	D15, 271-8020240 ED4, ED4-PT, EDC-P, 24 DC, DT	R933002798

Part Number	Description	Max. Quantity	Shipment (Business Days)
R933002776	C31, 271-0450 EDB-Y, 12 DC, DIN	10	10
R933002777	C31, 271-0451 EDB-Y, 24 DC, DIN	10	10
R933002778	C31, 271-0452 EDB-Y, 12 DC, DT	10	10
R933002779	C31, 271-0453 EDB-Y, 24 DC, DT	10	10
R933000044	C36, 271-0510 EDB-Z, ED1, EDC-Z, 12 DC, DIN	10	10
R933000045	C36, 271-0510002 EDB-Z, ED1, EDC-Z, 12 DC, CABLES	10	10
R933000048	C36, 271-0510207 EDB-Z, ED1, EDC-Z, 12 DC, DT	10	10
R933000053	C36, 271-0511 EDB-Z, ED1, EDC-Z, 24 DC, DIN	10	10
R933000055	C36, 271-0511002 EDB-Z, ED1, EDC-Z, 24 DC, CABLES	10	10
R933000058	C36, 271-0511207 EDB-Z, ED1, EDC-Z, 24 DC, DT	10	10
R933000026	C45, 271-0417 ED2, 12 DC, DIN	10	10
R933000030	C45, 271-041717 ED2, 12 DC, DT	10	10
R933000032	C45, 271-041719 ED2, 24 DC, DT	10	10
R933000034	C45, 271-0418 ED2, 24 DC, DIN	10	10
R933000063	C48, 271-0520 ED2, 12 DC, DIN	10	10
R933000064	C48, 271-052000 ED2, 12 DC, CABLES	10	10
R933000068	C48, 271-052004 ED2, 12 DC, DT	10	10
R933000070	C48, 271-052005 ED2, 24 DC, CABLES	10	10
R933000075	C48, 271-052009 ED2, 24 DC, DT	10	10
R933000076	C48, 271-0521 ED2, 24 DC, DIN	10	10
R933000100	C65-01-OB-12DC-44W-H-D25.7-281-0617	10	10
R933000107	C65-07-OB-12DC-44W-D25.7-281-06194	10	10
R933000092	D15, 271-8020210 ED4, ED4-PT, EDC-P, 12 DC, DIN	10	10
R933000093	D15, 271-8020220 ED4, ED4-PT, EDC-P, 24 DC, DIN	10	10
R933000094	D15, 271-8020230 ED4, ED4-PT, EDC-P, 12 DC, DT	10	10
R933002798	D15, 271-8020240 ED4, ED4-PT, EDC-P, 24 DC, DT	10	10
R933000088	P45-01-OB-12DC-17W-H-D19-----271-8010400 COIL, EDB-P, 12 DC, DIN	10	10
R933000090	P45-01-OC-24DC-17W-H-D19-271-8010450	10	10

1) "Shipment" defined as – not to exceed the time from receipt of order to Bosch Rexroth Hydraulics to shipment ex-factory (Bosch Rexroth plant location).

GoTo Focused Delivery Program: Power Packs and Motor Pump Groups

Power packs, fixed displacement

PP



PP Standard Power Packs utilize external gear pumps with standard industrial keyed shaft. Motors can be run at 60Hz/1750RPM/208-230/460V or 50Hz/1425RPM/190-208/380-416V. Motors are NEMA frame with female shaft.

For complete engineering and design information:
GoTo www.boschrexroth-us.com/GoTopowerpacks

Features

- Powder coated steel reservoir
 - System relief valve & Gauge
 - One station D03 aluminum bar manifold
 - PP5 = 10µ absolute. PP10, 20 = 16µ absolute – in-tank return filter/filler/breather
 - Check valve in pressure line
 - Spare in-tank return down-line
- Detailed information:**
- RA09788

Technical Data

Model Code	Reservoir Size G (l)	Pump Flow GPM (lpm)*	Max. Pressure PSI (bar)**	Motor HP (kw)
PP5/G2004/2/3BM1/H0/L0	5 (18.9)	1.9 (7.2)	1534 (106)	2.0 (1.5)
PP5/G2004/3/3BM1/H0/L0	5 (18.9)	1.9 (7.2)	2300 (159)	3.0 (2.2)
PP5/G2004/5/3BM1/H0/L0	5 (18.9)	1.9 (7.2)	3625 (250)†	5.0 (3.7)
PP5/G2005/2/3BM1/H0/L0	5 (18.9)	2.6 (9.8)	1121 (77)	2.0 (1.5)
PP5/G2005/3/3BM1/H0/L0	5 (18.9)	2.6 (9.8)	1681 (116)	3.0 (2.2)
PP5/G2005/5/3BM1/H0/L0	5 (18.9)	2.6 (9.8)	2802 (193)	5.0 (3.7)
PP10/G2005/2/3BM1/H0/L0	10 (37.9)	2.6 (9.8)	1121 (77)	2.0 (1.5)
PP10/G2005/3/3BM1/H0/L0	10 (37.9)	2.6 (9.8)	1681 (116)	3.0 (2.2)
PP10/G2005/5/3BM1/H0/L0	10 (37.9)	2.6 (9.8)	2802 (193)	5.0 (3.7)
PP10/G2008/2/3BM1/H0/L0	10 (37.9)	3.8 (14.4)	767 (53)	2.0 (1.5)
PP10/G2008/3/3BM1/H0/L0	10 (37.9)	3.8 (14.4)	1150 (79)	3.0 (2.2)
PP10/G2008/5/3BM1/H0/L0	10 (37.9)	3.8 (14.4)	1917 (132)	5.0 (3.7)
PP10/G2008/7.5/3BM1/H0/L0	10 (37.9)	3.8 (14.4)	2875 (198)	7.5 (5.6)
PP20/G2011/3/3BM1/H0/L0	20 (75.7)	5.2 (19.7)	841 (58)	3.0 (2.2)
PP20/G2011/5/3BM1/H0/L0	20 (75.7)	5.2 (19.7)	1401 (97)	5.0 (3.7)
PP20/G2011/7.5/3BM1/H0/L0	20 (75.7)	5.2 (19.7)	2101 (145)	7.5 (5.6)
PP20/G2011/10/3BM1/H0/L0	20 (75.7)	5.2 (19.7)	2802 (193)	10.0 (7.5)
PP20/G2016/5/3BM1/H0/L0	20 (75.7)	7.6 (28.8)	958 (66)	5.0 (3.7)
PP20/G2016/7.5/3BM1/H0/L0	20 (75.7)	7.6 (28.8)	1438 (99)	7.5 (5.6)
PP20/G2016/10/3BM1/H0/L0	20 (75.7)	7.6 (28.8)	1917 (132)	10.0 (7.5)

* Based on 1750 RPM, and 100% volumetric efficiency; actual flow will be lower.

** All max pressures reflect an 85% overall efficiency (1.15 SF not included in calculation).

† Limited by maximum continuous pressure of pump.

Part Number	Description	Max. Quantity	Shipment (Business Days)
R978931253	PP10/G2005/2/3BM1/H0/L0	3	10
R978931255	PP10/G2005/2/3BM1/H3/L0	3	10
R978931256	PP10/G2005/2/3BM2/H0/L0	3	10
R978931258	PP10/G2005/2/3BM2/H3/L0	3	10
R978931259	PP10/G2005/2/3BM3/H0/L0	3	10
R978931261	PP10/G2005/2/3BM3/H3/L0	3	10
R978931262	PP10/G2005/2/3BM4/H0/L0	3	10
R978931264	PP10/G2005/2/3BM4/H3/L0	3	10
R978931265	PP10/G2005/2/3BM5/H0/L0	3	10
R978931267	PP10/G2005/2/3BM5/H3/L0	3	10
R978931277	PP10/G2005/3/3BM1/H0/L0	3	10
R978931279	PP10/G2005/3/3BM1/H3/L0	3	10
R978931280	PP10/G2005/3/3BM2/H0/L0	3	10
R978931282	PP10/G2005/3/3BM2/H3/L0	3	10
R978931283	PP10/G2005/3/3BM3/H0/L0	3	10
R978931285	PP10/G2005/3/3BM3/H3/L0	3	10
R978931286	PP10/G2005/3/3BM4/H0/L0	3	10
R978931288	PP10/G2005/3/3BM4/H3/L0	3	10
R978931289	PP10/G2005/3/3BM5/H0/L0	3	10
R978931290	PP10/G2005/3/3BM5/H3/L0	3	10
R978931297	PP10/G2005/5/3BM1/H0/L0	3	10
R978931299	PP10/G2005/5/3BM1/H3/L0	3	10
R978931300	PP10/G2005/5/3BM2/H0/L0	3	10
R978931302	PP10/G2005/5/3BM2/H3/L0	3	10
R978931303	PP10/G2005/5/3BM3/H0/L0	3	10
R978931305	PP10/G2005/5/3BM3/H3/L0	3	10
R978931306	PP10/G2005/5/3BM4/H0/L0	3	10
R978931308	PP10/G2005/5/3BM4/H3/L0	3	10
R978931309	PP10/G2005/5/3BM5/H0/L0	3	10
R978931311	PP10/G2005/5/3BM5/H3/L0	3	10
R978931426	PP10/G2008/2/3BM1/H0/L0	3	10
R978931428	PP10/G2008/2/3BM1/H3/L0	3	10
R978931429	PP10/G2008/2/3BM2/H0/L0	3	10
R978931431	PP10/G2008/2/3BM2/H3/L0	3	10
R978931432	PP10/G2008/2/3BM3/H0/L0	3	10
R978931434	PP10/G2008/2/3BM3/H3/L0	3	10
R978931435	PP10/G2008/2/3BM4/H0/L0	3	10
R978931437	PP10/G2008/2/3BM4/H3/L0	3	10
R978931438	PP10/G2008/2/3BM5/H0/L0	3	10
R978931440	PP10/G2008/2/3BM5/H3/L0	3	10
R978931450	PP10/G2008/3/3BM1/H0/L0	3	10
R978931452	PP10/G2008/3/3BM1/H3/L0	3	10
R978931453	PP10/G2008/3/3BM2/H0/L0	3	10
R978931455	PP10/G2008/3/3BM2/H3/L0	3	10
R978931456	PP10/G2008/3/3BM3/H0/L0	3	10
R978931457	PP10/G2008/3/3BM3/H3/L0	3	10
R978931458	PP10/G2008/3/3BM4/H0/L0	3	10
R978931460	PP10/G2008/3/3BM4/H3/L0	3	10

1) "Shipment" defined as – not to exceed the time from receipt of order to Bosch Rexroth Hydraulics to shipment ex-factory (Bosch Rexroth plant location).

Part Number	Description	Max. Quantity	Shipment (Business Days)
R978931461	PP10/G2008/3/3BM5/H0/LO	3	10
R978931470	PP10/G2008/5/3BM1/H0/LO	3	10
R978931472	PP10/G2008/5/3BM1/H3/LO	3	10
R978931473	PP10/G2008/5/3BM2/H0/LO	3	10
R978931475	PP10/G2008/5/3BM2/H3/LO	3	10
R978931476	PP10/G2008/5/3BM3/H0/LO	3	10
R978931477	PP10/G2008/5/3BM3/H3/LO	3	10
R978931478	PP10/G2008/5/3BM4/H0/LO	3	10
R978931480	PP10/G2008/5/3BM4/H3/LO	3	10
R978931481	PP10/G2008/5/3BM5/H0/LO	3	10
R978931483	PP10/G2008/5/3BM5/H3/LO	3	10
R978931490	PP10/G2008/7.5/3BM1/H0/LO	3	10
R978931492	PP10/G2008/7.5/3BM1/H3/LO	3	10
R978931493	PP10/G2008/7.5/3BM2/H0/LO	3	10
R978931495	PP10/G2008/7.5/3BM2/H3/LO	3	10
R978931496	PP10/G2008/7.5/3BM3/H0/LO	3	10
R978931498	PP10/G2008/7.5/3BM3/H3/LO	3	10
R978931499	PP10/G2008/7.5/3BM4/H0/LO	3	10
R978931501	PP10/G2008/7.5/3BM4/H3/LO	3	10
R978931502	PP10/G2008/7.5/3BM5/H0/LO	3	10
R978932366	PP20/G2011/10/3BM1/H0/LO	3	10
R978932368	PP20/G2011/10/3BM1/H3/LO	3	10
R978932369	PP20/G2011/10/3BM2/H0/LO	3	10
R978932371	PP20/G2011/10/3BM2/H3/LO	3	10
R978932372	PP20/G2011/10/3BM3/H0/LO	3	10
R978932374	PP20/G2011/10/3BM3/H3/LO	3	10
R978932375	PP20/G2011/10/3BM4/H0/LO	3	10
R978932377	PP20/G2011/10/3BM4/H3/LO	3	10
R978932378	PP20/G2011/10/3BM5/H0/LO	3	10
R978932380	PP20/G2011/10/3BM5/H3/LO	3	10
R978932408	PP20/G2011/3/3BM1/H0/LO	3	10
R978932410	PP20/G2011/3/3BM1/H3/LO	3	10
R978932411	PP20/G2011/3/3BM2/H0/LO	3	10
R978932413	PP20/G2011/3/3BM2/H3/LO	3	10
R978932414	PP20/G2011/3/3BM3/H0/LO	3	10
R978932416	PP20/G2011/3/3BM3/H3/LO	3	10
R978932417	PP20/G2011/3/3BM4/H0/LO	3	10
R978932419	PP20/G2011/3/3BM4/H3/LO	3	10
R978932420	PP20/G2011/3/3BM5/H0/LO	3	10
R978932422	PP20/G2011/3/3BM5/H3/LO	3	10
R978932429	PP20/G2011/5/3BM1/H0/LO	3	10
R978932431	PP20/G2011/5/3BM1/H3/LO	3	10
R978932432	PP20/G2011/5/3BM2/H0/LO	3	10
R978932434	PP20/G2011/5/3BM2/H3/LO	3	10
R978932435	PP20/G2011/5/3BM3/H0/LO	3	10
R978932437	PP20/G2011/5/3BM3/H3/LO	3	10
R978932438	PP20/G2011/5/3BM4/H0/LO	3	10
R978932440	PP20/G2011/5/3BM4/H3/LO	3	10

1) "Shipment" defined as – not to exceed the time from receipt of order to Bosch Rexroth Hydraulics to shipment ex-factory (Bosch Rexroth plant location).

Part Number	Description	Max. Quantity	Shipment (Business Days)
R978932441	PP20/G2011/5/3BM5/H0/L0	3	10
R978932443	PP20/G2011/5/3BM5/H3/L0	3	10
R978932451	PP20/G2011/7.5/3BM1/H0/L0	3	10
R978932453	PP20/G2011/7.5/3BM1/H3/L0	3	10
R978932454	PP20/G2011/7.5/3BM2/H0/L0	3	10
R978932456	PP20/G2011/7.5/3BM2/H3/L0	3	10
R978932457	PP20/G2011/7.5/3BM3/H0/L0	3	10
R978932459	PP20/G2011/7.5/3BM3/H3/L0	3	10
R978932460	PP20/G2011/7.5/3BM4/H0/L0	3	10
R978932462	PP20/G2011/7.5/3BM4/H3/L0	3	10
R978932463	PP20/G2011/7.5/3BM5/H0/L0	3	10
R978932465	PP20/G2011/7.5/3BM5/H3/L0	3	10
R978932508	PP20/G2016/10/3BM1/H0/L0	3	10
R978932510	PP20/G2016/10/3BM1/H3/L0	3	10
R978932511	PP20/G2016/10/3BM2/H0/L0	3	10
R978932513	PP20/G2016/10/3BM2/H3/L0	3	10
R978932514	PP20/G2016/10/3BM3/H0/L0	3	10
R978932516	PP20/G2016/10/3BM3/H3/L0	3	10
R978932517	PP20/G2016/10/3BM4/H0/L0	3	10
R978932519	PP20/G2016/10/3BM4/H3/L0	3	10
R978932520	PP20/G2016/10/3BM5/H0/L0	3	10
R978932522	PP20/G2016/10/3BM5/H3/L0	3	10
R978932614	PP20/G2016/5/3BM1/H0/L0	3	10
R978932616	PP20/G2016/5/3BM1/H3/L0	3	10
R978932617	PP20/G2016/5/3BM2/H0/L0	3	10
R978932619	PP20/G2016/5/3BM2/H3/L0	3	10
R978932620	PP20/G2016/5/3BM3/H0/L0	3	10
R978932622	PP20/G2016/5/3BM3/H3/L0	3	10
R978932623	PP20/G2016/5/3BM4/H0/L0	3	10
R978932625	PP20/G2016/5/3BM4/H3/L0	3	10
R978932626	PP20/G2016/5/3BM5/H0/L0	3	10
R978932628	PP20/G2016/5/3BM5/H3/L0	3	10
R978932635	PP20/G2016/7.5/3BM1/H0/L0	3	10
R978932637	PP20/G2016/7.5/3BM1/H3/L0	3	10
R978932638	PP20/G2016/7.5/3BM2/H0/L0	3	10
R978932640	PP20/G2016/7.5/3BM2/H3/L0	3	10
R978932641	PP20/G2016/7.5/3BM3/H0/L0	3	10
R978932643	PP20/G2016/7.5/3BM3/H3/L0	3	10
R978932644	PP20/G2016/7.5/3BM4/H0/L0	3	10
R978932646	PP20/G2016/7.5/3BM4/H3/L0	3	10
R978932647	PP20/G2016/7.5/3BM5/H0/L0	3	10
R978932649	PP20/G2016/7.5/3BM5/H3/L0	3	10
R978932910	PP5/G2004/2/3BM1/H0/L0	3	10
R978932912	PP5/G2004/2/3BM1/H2/L0	3	10
R978932913	PP5/G2004/2/3BM2/H0/L0	3	10
R978932915	PP5/G2004/2/3BM2/H2/L0	3	10
R978932916	PP5/G2004/2/3BM3/H0/L0	3	10
R978932918	PP5/G2004/2/3BM3/H2/L0	3	10

1) "Shipment" defined as – not to exceed the time from receipt of order to Bosch Rexroth Hydraulics to shipment ex-factory (Bosch Rexroth plant location).

Part Number	Description	Max. Quantity	Shipment (Business Days)
R978932919	PP5/G2004/2/3BM4/H0/L0	3	10
R978932921	PP5/G2004/2/3BM4/H2/L0	3	10
R978932922	PP5/G2004/2/3BM5/H0/L0	3	10
R978932924	PP5/G2004/2/3BM5/H2/L0	3	10
R978932932	PP5/G2004/3/3BM1/H0/L0	3	10
R978932934	PP5/G2004/3/3BM1/H2/L0	3	10
R978932935	PP5/G2004/3/3BM2/H0/L0	3	10
R978932937	PP5/G2004/3/3BM2/H2/L0	3	10
R978932938	PP5/G2004/3/3BM3/H0/L0	3	10
R978932940	PP5/G2004/3/3BM3/H2/L0	3	10
R978932941	PP5/G2004/3/3BM4/H0/L0	3	10
R978932943	PP5/G2004/3/3BM4/H2/L0	3	10
R978932944	PP5/G2004/3/3BM5/H0/L0	3	10
R978932946	PP5/G2004/3/3BM5/H2/L0	3	10
R978932952	PP5/G2004/5/3BM1/H0/L0	3	10
R978932954	PP5/G2004/5/3BM1/H2/L0	3	10
R978932955	PP5/G2004/5/3BM2/H0/L0	3	10
R978932957	PP5/G2004/5/3BM2/H2/L0	3	10
R978932958	PP5/G2004/5/3BM3/H0/L0	3	10
R978932960	PP5/G2004/5/3BM3/H2/L0	3	10
R978932961	PP5/G2004/5/3BM4/H0/L0	3	10
R978932963	PP5/G2004/5/3BM4/H2/L0	3	10
R978932964	PP5/G2004/5/3BM5/H0/L0	3	10
R978932966	PP5/G2004/5/3BM5/H2/L0	3	10
R978933040	PP5/G2005/2/3BM1/H0/L0	3	10
R978933042	PP5/G2005/2/3BM1/H2/L0	3	10
R978933043	PP5/G2005/2/3BM2/H0/L0	3	10
R978933045	PP5/G2005/2/3BM2/H2/L0	3	10
R978933046	PP5/G2005/2/3BM3/H0/L0	3	10
R978933048	PP5/G2005/2/3BM3/H2/L0	3	10
R978933049	PP5/G2005/2/3BM4/H0/L0	3	10
R978933051	PP5/G2005/2/3BM4/H2/L0	3	10
R978933052	PP5/G2005/2/3BM5/H0/L0	3	10
R978933054	PP5/G2005/2/3BM5/H2/L0	3	10
R978933062	PP5/G2005/3/3BM1/H0/L0	3	10
R978933064	PP5/G2005/3/3BM1/H2/L0	3	10
R978933065	PP5/G2005/3/3BM2/H0/L0	3	10
R978933067	PP5/G2005/3/3BM2/H2/L0	3	10
R978933068	PP5/G2005/3/3BM3/H0/L0	3	10
R978933070	PP5/G2005/3/3BM3/H2/L0	3	10
R978933071	PP5/G2005/3/3BM4/H0/L0	3	10
R978933073	PP5/G2005/3/3BM4/H2/L0	3	10
R978933074	PP5/G2005/3/3BM5/H0/L0	3	10
R978933076	PP5/G2005/3/3BM5/H2/L0	3	10
R978933083	PP5/G2005/5/3BM1/H0/L0	3	10
R978933085	PP5/G2005/5/3BM1/H2/L0	3	10
R978933086	PP5/G2005/5/3BM2/H0/L0	3	10
R978933088	PP5/G2005/5/3BM2/H2/L0	3	10

1) "Shipment" defined as – not to exceed the time from receipt of order to Bosch Rexroth Hydraulics to shipment ex-factory (Bosch Rexroth plant location).

Part Number	Description	Max. Quantity	Shipment (Business Days)
R978933089	PP5/G2005/5/3BM3/H0/L0	3	10
R978933091	PP5/G2005/5/3BM3/H2/L0	3	10
R978933092	PP5/G2005/5/3BM4/H0/L0	3	10
R978933094	PP5/G2005/5/3BM4/H2/L0	3	10
R978933095	PP5/G2005/5/3BM5/H0/L0	3	10
R978933097	PP5/G2005/5/3BM5/H2/L0	3	10

1) "Shipment" defined as – not to exceed the time from receipt of order to Bosch Rexroth Hydraulics to shipment ex-factory (Bosch Rexroth plant location).

GoTo Focused Delivery Program: Power Packs and Motor Pump Groups

Close-coupled motor pump groups, fixed displacement MPGB-AZP



Close-Coupled Motor Pump Groups type MPGB-AZP come fully assembled from our factory. Pumps are external gear type, standard industrial keyed shaft. Motors are NEMA frame, female shaft, and can be run at 60 Hz/1750 RPM/208–230/460 V or 50 Hz/1425 RPM/190–208/380–416 V.

For complete engineering and design information:
GoTo www.boschrexroth-us.com/GoTopowerpacks

Features

- Eliminate the need for multiple vendors by giving you one source of supply
- Closed-coupled feature dramatically reduces the overall length of the motor pump group
- Motor pump groups can be mounted horizontally or vertically

Detailed information:
• RA12750

Technical Data

Model Code	Pump Size in ³ /rev (cc/rev)	Pump Flow GPM (l/min)*	Max. Pressure PSI (bar)**	Motor		Connection sizes
				HP (kW)	Frame	
MPGB002HTYZ4DEOFS1HAZPF12004K1NN	0.24 (4.0)	1.9 (7.2)	1534 (106)	2.0 (1.5)	145TYZ	Suction = SAE-10 Pressure = SAE-8
MPGB003HTYZ4DEOFS1HAZPF12004K1NN	0.24 (4.0)	1.9 (7.2)	2300 (159)	3.0 (2.2)	145TYZ	
MPGB005HTYZ4DEOFS1HAZPF12004K1NN	0.24 (4.0)	1.9 (7.2)	3625 (250)†	5.0 (3.7)	184TYZ	
MPGB002HTYZ4DEOFS1HAZPF12005K1NN	0.34 (5.5)	2.6 (9.8)	1121 (77)	2.0 (1.5)	145TYZ	Suction = SAE-10 Pressure = SAE-8
MPGB003HTYZ4DEOFS1HAZPF12005K1NN	0.34 (5.5)	2.6 (9.8)	1681 (116)	3.0 (2.2)	145TYZ	
MPGB005HTYZ4DEOFS1HAZPF12005K1NN	0.34 (5.5)	2.6 (9.8)	2802 (193)	5.0 (3.7)	184TYZ	
MPGB002HTYZ4DEOFS1HAZPF12008K1NN	0.49 (8.0)	3.8 (14.4)	767 (53)	2.0 (1.5)	145TYZ	Suction = SAE-12 Pressure = SAE-10
MPGB003HTYZ4DEOFS1HAZPF12008K1NN	0.49 (8.0)	3.8 (14.4)	1150 (79)	3.0 (2.2)	145TYZ	
MPGB005HTYZ4DEOFS1HAZPF12008K1NN	0.49 (8.0)	3.8 (14.4)	1917 (132)	5.0 (3.7)	184TYZ	
MPGB7.5HTYZ4DEOFS1HAZPF12008K1NN	0.49 (8.0)	3.8 (14.4)	2875 (198)	7.5 (5.6)	213TYZ	Suction = SAE-12 Pressure = SAE-10
MPGB003HTYZ4DEOFS1HAZPF12011K1NN	0.67 (11.0)	5.2 (19.7)	841 (58)	3.0 (2.2)	145TYZ	
MPGB005HTYZ4DEOFS1HAZPF12011K1NN	0.67 (11.0)	5.2 (19.7)	1401 (97)	5.0 (3.7)	184TYZ	
MPGB7.5HTYZ4DEOFS1HAZPF12011K1NN	0.67 (11.0)	5.2 (19.7)	2101 (145)	7.5 (5.6)	213TYZ	Suction = SAE-12 Pressure = SAE-10
MPGB010HTYZ4DEOFS1HAZPF12011K1NN	0.67 (11.0)	5.2 (19.7)	2802 (193)	10.0 (7.5)	215TYZ	
MPGB005HTYZ4DEOFS1HAZPF12016K1NN	0.98 (16.0)	7.6 (28.8)	958 (66)	5.0 (3.7)	184TYZ	
MPGB7.5HTYZ4DEOFS1HAZPF12016K1NN	0.98 (16.0)	7.6 (28.8)	1438 (99)	7.5 (5.6)	213TYZ	Suction = SAE-16 Pressure = SAE-10
MPGB010HTYZ4DEOFS1HAZPF12016K1NN	0.98 (16.0)	7.6 (28.8)	1917 (132)	10.0 (7.5)	215TYZ	

* Based on 1750 RPM, and 100% volumetric efficiency; actual flow will be lower.

** All max pressures reflect an 85% overall efficiency (1.15 SF not included in calculation).

† Limited by maximum continuous pressure of pump.

Part Number	Description	Max. Quantity	Shipment (Business Days)
R978020520	MPGB002HTYZ4DEOFS1HAZPF12004K1NN	3	10
R978020524	MPGB002HTYZ4DEOFS1HAZPF12005K1NN	3	10
R978020530	MPGB002HTYZ4DEOFS1HAZPF12008K1NN	3	10
R978020521	MPGB003HTYZ4DEOFS1HAZPF12004K1NN	3	10
R978020525	MPGB003HTYZ4DEOFS1HAZPF12005K1NN	3	10
R978020531	MPGB003HTYZ4DEOFS1HAZPF12008K1NN	3	10
R978020537	MPGB003HTYZ4DEOFS1HAZPF12011K1NN	3	10
R978020522	MPGB005HTYZ4DEOFS1HAZPF12004K1NN	3	10
R978020526	MPGB005HTYZ4DEOFS1HAZPF12005K1NN	3	10
R978020532	MPGB005HTYZ4DEOFS1HAZPF12008K1NN	3	10
R978020538	MPGB005HTYZ4DEOFS1HAZPF12011K1NN	3	10
R978020542	MPGB005HTYZ4DEOFS1HAZPF12016K1NN	3	10
R978020732	MPGB010HTYZ4DEOFS1HAZPF12011K1NN	3	10
R978020544	MPGB010HTYZ4DEOFS1HAZPF12016K1NN	3	10
R978020533	MPGB7.5HTYZ4DEOFS1HAZPF12008K1NN	3	10
R978020731	MPGB7.5HTYZ4DEOFS1HAZPF12011K1NN	3	10
R978020543	MPGB7.5HTYZ4DEOFS1HAZPF12016K1NN	3	10

1) "Shipment" defined as – not to exceed the time from receipt of order to Bosch Rexroth Hydraulics to shipment ex-factory (Bosch Rexroth plant location).

GoTo Focused Delivery Program: Power Packs and Motor Pump Groups

Pre-assembled filter/cooler module MFC3



The MFC3 is a compact off-line filtration/cooling package, which provides numerous mounting and configuration options. The design allows for multiple selections of AC motors, pumps, filter elements, and auxiliary components. The modular design concept permits field upgrades concerning oil flow, filtration, or configuration with minimal labor and cost.

For complete engineering and design information:
GoTo www.boschrexroth-us.com/GoTopowerpacks

Features

- Off line does not interrupt production
- Versatile / Simple Modular design concept
- Space saving vertical designs
- Durable common base construction
- Multiple mounting and configurations
- Multiple pump, and filter element selections
- Dual frequency motor windings standard
- Stainless Steel, plate style heat exchangers
- Single supply source
- Extensive international distribution and service

Detailed information:

- RA50127

Technical Data

See data sheet RA50127 for detailed Technical Data. All part numbers listed in RA50127 are included in **GoTo**.

Part Number	Description	Max. Quantity	Shipment (Business Days)
R978026410	MFC3HLB1.0H4/DEOFAP/011030S/09003AJ	3	5
R978026411	MFC3HLB1.0H4/DEOFAP/011030S/09003JJ	3	5
R978052055	MFC3HLB1.0H4/DEOFAP/011030S/09010AJ	3	10
R978052056	MFC3HLB1.0H4/DEOFAP/011030S/09010JJ	3	10
R978026412	MFC3HLB1.0H4/DEOFAP/016030S/09003AJ	3	5
R978026413	MFC3HLB1.0H4/DEOFAP/016030S/09003JJ	3	5
R978052057	MFC3HLB1.0H4/DEOFAP/016030S/09010AJ	3	10
R978052058	MFC3HLB1.0H4/DEOFAP/016030S/09010JJ	3	10
R978026418	MFC3HLB2.0H4/DEOFAP/022030S/09003AJ	3	5
R978026419	MFC3HLB2.0H4/DEOFAP/022030S/09003JJ	3	5
R978052061	MFC3HLB2.0H4/DEOFAP/022030S/09010AJ	3	10
R978052062	MFC3HLB2.0H4/DEOFAP/022030S/09010JJ	3	10
R978026420	MFC3HLB2.0H4/DEOFAP/028030S/09003AJ	3	10
R978026421	MFC3HLB2.0H4/DEOFAP/028030S/09003JJ	3	10
R978052063	MFC3HLB2.0H4/DEOFAP/028030S/09010AJ	3	10
R978052064	MFC3HLB2.0H4/DEOFAP/028030S/09010JJ	3	10
R978026374	MFC3HRB1.0H4/DEOFAP/011030S/09003AJ	3	10
R978026375	MFC3HRB1.0H4/DEOFAP/011030S/09003JJ	3	10
R978052031	MFC3HRB1.0H4/DEOFAP/011030S/09010AJ	3	10
R978052032	MFC3HRB1.0H4/DEOFAP/011030S/09010JJ	3	10
R978026376	MFC3HRB1.0H4/DEOFAP/016030S/09003AJ	3	10
R978026377	MFC3HRB1.0H4/DEOFAP/016030S/09003JJ	3	10
R978052033	MFC3HRB1.0H4/DEOFAP/016030S/09010AJ	3	10
R978052034	MFC3HRB1.0H4/DEOFAP/016030S/09010JJ	3	10
R978026382	MFC3HRB2.0H4/DEOFAP/022030S/09003AJ	3	10
R978026383	MFC3HRB2.0H4/DEOFAP/022030S/09003JJ	3	5
R978052037	MFC3HRB2.0H4/DEOFAP/022030S/09010AJ	3	10
R978052038	MFC3HRB2.0H4/DEOFAP/022030S/09010JJ	3	10
R978026384	MFC3HRB2.0H4/DEOFAP/028030S/09003AJ	3	5
R978026385	MFC3HRB2.0H4/DEOFAP/028030S/09003JJ	3	5
R978052039	MFC3HRB2.0H4/DEOFAP/028030S/09010AJ	3	10
R978052040	MFC3HRB2.0H4/DEOFAP/028030S/09010JJ	3	10
R978026338	MFC3VLB1.0H4/DEOFAP/011030S/09003AJ	3	10
R978026339	MFC3VLB1.0H4/DEOFAP/011030S/09003JJ	3	10
R978052007	MFC3VLB1.0H4/DEOFAP/011030S/09010AJ	3	10
R978052008	MFC3VLB1.0H4/DEOFAP/011030S/09010JJ	3	10
R978026340	MFC3VLB1.0H4/DEOFAP/016030S/09003AJ	3	10
R978026341	MFC3VLB1.0H4/DEOFAP/016030S/09003JJ	3	10
R978052009	MFC3VLB1.0H4/DEOFAP/016030S/09010AJ	3	10
R978052010	MFC3VLB1.0H4/DEOFAP/016030S/09010JJ	3	10
R978026346	MFC3VLB2.0H4/DEOFAP/022030S/09003AJ	3	10
R978026347	MFC3VLB2.0H4/DEOFAP/022030S/09003JJ	3	10
R978052013	MFC3VLB2.0H4/DEOFAP/022030S/09010AJ	3	10
R978052014	MFC3VLB2.0H4/DEOFAP/022030S/09010JJ	3	10
R978026348	MFC3VLB2.0H4/DEOFAP/028030S/09003AJ	3	10
R978026349	MFC3VLB2.0H4/DEOFAP/028030S/09003JJ	3	10
R978052015	MFC3VLB2.0H4/DEOFAP/028030S/09010AJ	3	10
R978052016	MFC3VLB2.0H4/DEOFAP/028030S/09010JJ	3	10

1) "Shipment" defined as – not to exceed the time from receipt of order to Bosch Rexroth Hydraulics to shipment ex-factory (Bosch Rexroth plant location).

Part Number	Description	Max. Quantity	Shipment (Business Days)
R978026302	MFC3VRB1.0H4/DEOFAP/011030S/09003AJ	3	10
R978026303	MFC3VRB1.0H4/DEOFAP/011030S/09003JJ	3	10
R978051983	MFC3VRB1.0H4/DEOFAP/011030S/09010AJ	3	10
R978051984	MFC3VRB1.0H4/DEOFAP/011030S/09010JJ	3	10
R978026304	MFC3VRB1.0H4/DEOFAP/016030S/09003AJ	3	10
R978026305	MFC3VRB1.0H4/DEOFAP/016030S/09003JJ	3	10
R978051985	MFC3VRB1.0H4/DEOFAP/016030S/09010AJ	3	10
R978051986	MFC3VRB1.0H4/DEOFAP/016030S/09010JJ	3	10
R978026310	MFC3VRB2.0H4/DEOFAP/022030S/09003AJ	3	10
R978026311	MFC3VRB2.0H4/DEOFAP/022030S/09003JJ	3	10
R978051989	MFC3VRB2.0H4/DEOFAP/022030S/09010AJ	3	10
R978051990	MFC3VRB2.0H4/DEOFAP/022030S/09010JJ	3	10
R978026312	MFC3VRB2.0H4/DEOFAP/028030S/09003AJ	3	10
R978026313	MFC3VRB2.0H4/DEOFAP/028030S/09003JJ	3	10
R978051991	MFC3VRB2.0H4/DEOFAP/028030S/09010AJ	3	10
R978051992	MFC3VRB2.0H4/DEOFAP/028030S/09010JJ	3	10

1) "Shipment" defined as – not to exceed the time from receipt of order to Bosch Rexroth Hydraulics to shipment ex-factory (Bosch Rexroth plant location).

GoTo Focused Delivery Program: Power Packs and Motor Pump Groups

GoPak™ Hydraulic Power Packs



Bosch Rexroth GoPak™ hydraulic power units (HPU) bridge the gap between standard market products and engineered-to-order power units for machine tool, plastics, automotive, material handling, presses, marine, and other hydraulic applications. Rexroth’s GoDesigner™ smart configurator software tool expedites the selection of pumps, motors, valves and other peripherals so customers can get quotes in a day, with lead times as short as four to six weeks (three weeks when configured with designated Rexroth “GoTo” sub-component products).

For complete engineering and design information:
 USA & Mexico: www.boschrexroth-us.com/GoPak
 Canada: www.boschrexroth.ca/GoPak

Features

- Millions of variants possible (expansive feature options)
- High quality tank-top pump-motor group design
- Reservoir sizes from 5 US gallons to 200 US gallons (mineral oil fluid)
- Horsepower range from 1 to 75
- Pressure range from 200 to 4000 psi
- Pump displacement range from 4 to 140 cm³ per revolution (variable and fixed models)
- Durable and attractive powder coated finish
- Extensive and immediate document package on request - conditions apply (price and delivery, selection summary, terms and conditions, warranty, commissioning, bill of material, schematic, 2D dimensioned and ballooned drawing, interactive 3D model, highlighted sub-component data sheets)
- GoTo variants ship in 3 weeks
- Quotes provided via GoDesigner™ (advanced design configurator) in 1 business day or less
- GoDesigner™ tool provides know-as-you-go pricing, detailed engineering tools for sizing optimization, and on-the-fly detailed sub-component information
- Regional support across North America from our knowledgeable GoPak™ Champions (product, application, and design configurator expertise)

Technical Data

- Please navigate to www.boschrexroth-us.com/GoPak (USA & Mexico) or www.boschrexroth.ca/GoPak (Canada) for a complete listing of options, noting that exceptions apply; see below...
- For GoTo GoPak™ variants (3 week shipping lead-time, max quantity of 1 unit), the following features of the standard GoPak™ have been limited as noted:
 1. No combination starter with disconnect (Industrial Level). ALTERNATIVE – non-combination starter (Entry Level – no short circuit protection).
 2. No aluminum barstock manifolds. ALTERNATIVE – ductile iron barstock manifolds (Electroless Nickel surface treatment).
 3. No indirect immersion heater. ALTERNATIVE – direct immersion heaters.
 4. No custom coatings/colours. ALTERNATIVE – powder coated black.
 5. No forklift bracket. ALTERNATIVE – Use lifting strap or lugs.
 6. No drip tray.

Part Number	Description	Max. Quantity	Shipment (Business Days)
R991XXXX	GOPAK-XXXX	1	15

1) “Shipment” defined as – not to exceed the time from receipt of order to Bosch Rexroth Hydraulics to shipment ex-factory (Bosch Rexroth plant location).

GoTo Focused Delivery Program: Accumulators

Bladder-type accumulators

HAB-6X



The HAB design is a hydro-pneumatic type accumulator with compressed nitrogen separated from hydraulic fluid by means of an elastomeric bladder. The current generation of bladder accumulators from Bosch Rexroth carries the HAB-6X designations. The HAB product line is available in many different configurations needed to meet the stringent demands of today's market.

For complete engineering and design information:
GoTo www.boschrexroth-us.com/GoToaccumulators

Features

- Sizes 1L to 50L
- Hydraulic accumulator according to Pressure Equipment Directive 2014/68/EU
- CE stamp on all units 2.5L and larger
- NBR (buna) and ECO (Hydrin) bladder options
- Two piece gas valve design for improved serviceability

Use:

- Energy storage in systems with intermittent operation
- Energy reserve for emergencies
- Compensation for leakage losses
- Impact and vibration dampening
- Flow compensation based on pressure and temperature effects

Detailed information:

- RE50171

Technical Data

Nominal size (Liters)		1	2.5	4	6	10	20	35	50
Effective Gas Volume	Liters	1.0	2.4	3.7	5.9	9.2	18.1	33.4	48.7
Max. Operating Pressure Bar	bar (psi)	350 (5075)				330 (4785)			
Hydraulic Fluid Temperature Range (NBR)		-15°C to 80°C (5°F to 176°F)							
Hydraulic Fluid Temperature Range (ECO)		-35°C to 80°C (-31°F to 176°F)							
Max. Flow Rate L/min	l/min (gpm)	240 (63)	450 (119)			900 (238)			
Weight Kg	Kg (lb)	7 (15)	10 (22)	17 (36)	20 (44)	32 (71)	53 (117)	85 (187)	123 (271)
Hydraulic Fluid		Mineral oil to DIN 51524, HFC to ISO 12922, other fluids upon request							
Gas		Nitrogen gas with typical purity 99.99% by volume							

Part Number	Description	Max. Quantity	Shipment (Business Days)
R901435304	HAB10-330-6X/0G09G-2N111-CE	3	10
R901435300	HAB1-350-6X/0G05G-2N111-BA	3	10
R901435305	HAB20-330-6X/0G09G-2N111-CE	3	10
R901435307	HAB32-330-6X/0G09G-2N111-CE	3	10
R901435302	HAB4-350-6X/0G07G-2N111-CE	3	10
R901435308	HAB50-330-6X/0G09G-2N111-CE	3	10
1531316021	CLAMPING BANDTIGHT 110-120 MM	3	10
1531316022	CLAMPING BANDTIGHT 160-170 MM	3	10

1) "Shipment" defined as – not to exceed the time from receipt of order to Bosch Rexroth Hydraulics to shipment ex-factory (Bosch Rexroth plant location).

GoTo Focused Delivery Program: Accumulators

Bladder-type accumulators

HAB-7X

	<p>The HAB design is a hydro-pneumatic type accumulator with compressed nitrogen separated from hydraulic fluid by means of an elastomeric bladder. The current generation of bladder accumulators from Bosch Rexroth carries the HAB-6X and HAB-7X designations. The HAB product line is available in many different configurations needed to meet the stringent demands of today's market.</p>
<p>For complete engineering and design information: GoTo www.boschrexroth-us.com/GoToaccumulators</p>	

Features

- Hydraulic accumulator according to ASME Section VIII pressure vessel code
- CRN certificate possible (not all sizes, consult factory)
- Bladder materials for different applications
- Two piece gas valve design on 2.5 gallon and larger units for improved serviceability

Use:

- Energy storage in systems with intermittent operation
- Energy reserve for emergencies
- Compensation for leakage losses
- Impact and vibration dampening
- Compensation of flow in the case of changes in pressure and temperature

Detailed information:

- RA50175

“-CRN”: Units have a Canadian Registration Number stamped into the shell indicating certification to Canadian pressure vessel regulations. The units also have the standard ASME certification & stamping.

Function & Performance Data

Bottom Repairable, 3K	Nominal volume (GAL)	1 QT	1 G	2.5 G	5 G	10 G	15 G
	Effective gas volume (L)	1.0	3.4	9.3	18.8	35.3	53.7
	Max operating pressure (psi)	3000	3000	3000	3000	3000	3000
Operating Temperature	Nitrile, Buna-n (NBR)	5 °F to 200 °F					
Flow Output (Standard SAE fluid port, max. flow rate dependant on fluid viscosity and accumulator orientation.)	Nominal volume (GAL)	1 QT	1 G	2.5 G	5 G	10 G	15 G
	Max flow rate (GPM)	79	119	238			
Pre-Charge Ratio Limitation	Maximum ratio of system pressure to pre-charge pressure, 4:1						
Installation Position	Recommended vertical with gas side up, other positions may reduce accumulator performance and bladder life						
Fluid	Mineral oils to DIN 51524, HFC to ISO 12922, other fluids compatible with bladder compounds listed.						
Gas	Nitrogen gas with typical purity 99.99%						

Part Number	Description	Max. Quantity	Shipment (Business Days)
R978059597	HAB10-207-7X/0U09G-2N111-ASME	3	10
R978059631	HAB10-207-7X/0U09G-2N111-CRN	3	10
R978059592	HAB1-207-7X/0U14G-2N111-ASME	3	10
R978059605	HAB20-207-7X/0U09G-2N111-ASME	3	10
R978059632	HAB20-207-7X/0U09G-2N111-CRN	3	10
R978059610	HAB35-207-7X/0U09G-2N111-ASME	3	10
R978059633	HAB35-207-7X/0U09G-2N111-CRN	3	10
R978059594	HAB4-207-7X/0U08G-2N111-ASME	3	10
R978059656	HAB4-207-7X/0U08G-2N111-CRN	3	10
R978059616	HAB57-207-7X/0U09G-2N111-ASME	3	10
R978059630	HAB57-207-7X/0U09G-2N111-CRN	3	10
1531316021	CLAMPING BANDTIGHT 110-120 MM	3	10
1531316022	CLAMPING BANDTIGHT 160-170 MM	3	10

1) "Shipment" defined as – not to exceed the time from receipt of order to Bosch Rexroth Hydraulics to shipment ex-factory (Bosch Rexroth plant location).

GoTo Focused Delivery Program: Accumulators

Diaphragm-type accumulators

HAD



The HAD design is a hydro-pneumatic type accumulator that utilizes compressed nitrogen to supply fluid to the hydraulic system. The nitrogen and hydraulic fluid are separated by means of an elastomeric membrane. HAD units are the diaphragm welded non-repairable type that can be supplied in both non-rechargeable and chargeable versions.

For complete engineering and design information:
GoTo www.boschrexroth-us.com/GoToaccumulators

Features

- Hydraulic accumulator according to Pressure Equipment Directive 97/23/EC
- HAD sizes range from 0.075L to 3.5L
- HAD pressure rating 250 bar on most sizes, with special options available up to 350 bar.
- HAD units are economical solutions for pulsation dampening and energy storage applications where only a small volume of usable fluid is required.
- Very compact design allows for the use of the HAD product in the smallest of locations, industrial or mobile hydraulic in nature.
- Multiple elastomer options for many different fluid and temperature driven applications.
- Multiple fluid port options are available such as UNF, NPT, BSPP, and metric M threaded designs.
- Two gas valve options are available for pre-charging, the standard Schrader valve type common for the US market (7/8"-14UNF connection) and the European standard M28 threaded connection.

Detailed information:

- RE50150

Function & Performance Data

Capacity	Liters (cu-in)	0.075 (5)	0.16 (10)	0.35 (21)	0.5 (30)		0.7 (43)		1.0 (61)	1.4 (85)		2.0 (122)		2.8 (171)		3.5 (214)
Maximum pressure	bar (psi)	250 (3626)	250 (3626)	210 (3045)	160 (2320)	250 (3626)	180 (2610)	250 (3626)	200 (2900)	140 (2030)	250 (3626)	100 (1450)	250 (3626)	70 (1015)	250 (3626)	250 (3626)
Weight	kg (lbs.)	0.65 (1.4)	1.0 (2.2)	1.3 (2.9)	1.6 (3.5)	2.0 (4.4)	2.6 (5.7)	3.2 (7.1)	3.5 (7.7)	4.9 (10.8)	6.2 (13.7)	4.0 (8.8)	9.5 (20.9)	5.5 (12.1)	10.0 (22.0)	14.0 (30.9)
Mounting type	With clamps or threaded connection															
Installation position	Optional, preferably fluid connection piece pointing downward															
Hydraulic temp. range*	°C (°F)	-10 to +80 (+14 to +176) – NBR diaphragm -35 to +80 (-31 to +176) – ECO diaphragm														
Charge gas	Use only nitrogen with typical purity 99.99%															

* Specific to elastomer type

Accumulator Charge Kit

0538103013	Accum charge kit for HAD units with gas valve type 2
1530221042	Rubber back ring
1531316005	Accumulator clamp
1531334008	Bracket

Part Number	Description	Max. Quantity	Shipment (Business Days)
1530221042	1530221042RUBBERBACKRING	3	10
0538103013	ACCUM CHARGE KIT FOR HAD UNITS WITH GAS VALVE TYPE 2	3	10
1531316005	ACCUM CLAMP	3	10
1531334008	BRACKET	3	10
0531610632	HAD0.075-250-1X/0U12C-2N111-USA	3	10
531600600	HAD0.16-250-1X/0F02A-2N111-USA	3	10
0531600611	HAD0.16-250-1X/0U12C1-2N111-USA	3	10
0531601533	HAD0.35-160-1X/0F08A-2N111-USA	3	10
0531601549	HAD0.35-160-1X/0U04A-2N111-USA	3	10
0531601572	HAD0.35-207-1X/0U04A-2N111-USA	3	10
0531602581	HAD0.7-207-1X/0F08A-2N111-USA	3	10
0531603502	HAD1.4-207-1X/0U04C-2E111-USA	3	10
0531603501	HAD1.4-207-1X/0U04C-2N111-USA	3	10
1537231001	PRESSURE GAUGE 0-250 BAR	3	10
0538103015	TEST AND FILLING D .	3	10

1) "Shipment" defined as – not to exceed the time from receipt of order to Bosch Rexroth Hydraulics to shipment ex-factory (Bosch Rexroth plant location).

GoTo Focused Delivery Program: Accumulators

Accumulator safety blocks

ABZSS



Rexroth ABZSS safety blocks can be used in any system that incorporates a hydraulic accumulator. Safety blocks not only perform safety functions such as pressure relief, unloading and isolation, but also provide a mounting base for accumulator installation and a quick means to access system pressure readings.

For complete engineering and design information:
GoTo www.boschrexroth-us.com/GoToaccumulators

Features

- Sizes 08 to 30
- Safety block design per DIN 24552
- Pressure relief valves can be PED type approved (CE)
- NBR (buna) and FKM (viton) seal options
- Discharge valve can be either manually or electronically actuated
- Pressure relief valve for safety purposes
- Discharge valve can drain accumulator pressure for system shut down
- Ball valve can isolate accumulator pressure from circuit
- Optional lock-out version possible

Detailed information:
• RE50131

Technical Data

Nominal size	08	10	20	30	30 SO30	P30
Special option					Larger relief valve	Subplate design
Max. Operating Pressure bar (psi)	350 (5075)					
Hydraulic Fluid Temperature Range	-15°C to 80°C (5°F to 176°F)					
Hydraulic Fluid	Mineral oil to DIN 51524, HETG, HEES, HEPG to VDMA 24568					
Weight Kg (lb)	4 (8.8)	5.5 (12.1)	8.8 (19.4)	20.8 (45.8)	26.8 (59.1)	33.4 (73.5)
Protection Class	IP65 with mating connector mounted and locked					
Pressure Relief Valve Size	DBD6	DBD6	DBD10	DBD20	DBD30	DBD20

Part Number	Description	Max. Quantity	Shipment (Business Days)
R900707946	ABZSS 10 E-3X/210E/G24K4V12	3	10
R904100375	ABZSS 10 E-3X/210E/S63G24K4V12	3	10
R901355979	ABZSS 10 M-3X/210E/S63V12	3	10
R901367389	ABZSS 10 M-3X/210E/V12	3	10
R900707949	ABZSS 20 E-3X/210E/G24K4V12	3	10
R901409869	ABZSS 20 E-3X/210E/S63G24K4V12	3	10
R901409863	ABZSS 20 M-3X/210E/S63V12	3	10
R901367388	ABZSS 20 M-3X/210E/V12	3	10
R900707947	ABZSS 30 E-3X/210E/G24K4V12	3	10
R901300715	ABZSS 30 E-3X/210E/S630G24K4V12	3	10
R901217049	ABZSS 30 M-3X/210E/S630V12	3	10
R901332088	ABZSS 30 M-3X/210E/V12	3	10

1) "Shipment" defined as – not to exceed the time from receipt of order to Bosch Rexroth Hydraulics to shipment ex-factory (Bosch Rexroth plant location).

GoTo Focused Delivery Program: Filtration Systems

Flexi-bowl™ tank mounted return filter housings

10 TEN 0040 to 1000



The Flexi-bowl™ version of the tank mounted return line filters come without filter elements in order to give customer flexibility, reduced inventory and lead times.

Must be purchased separately: Replacement filter elements for Rexroth filters: Filter media for all applications made out of glass-fiber-paper, filter-paper, wire mesh, non-wovens, and metal fiber.

For complete engineering and design information:
GoTo www.boschrexroth-us.com/GoTofilters

Features

- Utilizes the customers choice of Rexroth filter elements
- Adsorption of very fine particles across a broad pressure differential range
- High dirt holding capacity thanks to large specific filter area
- Good chemical resistance of the filter elements
- High collapse resistance of the filter elements (e.g. in case of cold start)
- Filter ratings: 3...100 µm
- As standard, each filter is equipped with mechanical-optical maintenance indicator with memory function

Detailed information:

- RE51424

Technical Data

General										
Installation position		Vertical								
Ambient temperature range		°C [°F]	-30 to +100 (-22 to +212)							
Weight		Size	0040	0063	0100	0160	0250	0400	0630	1000
		kg (lbs)	1.4 (3.1)	1.6 (3.5)	1.8 (4.0)	4.5 (9.9)	5.0 (11)	8.0 (17.6)	10.0 (22)	18.0 (40)
Material	Filter cover	Carbon fiber reinforced plastic (sizes 0040...0100), Aluminum (sizes 0160...1000)								
	Filter head	Aluminum								
	Filter bowl	Carbon fiber reinforced plastic (sizes 0040...0630), Coated steel (size 1000)								
	Optical maintenance indicator (V2,2)	Aluminum								
	Electronic switching element	Plastic PA6								
	Pressure gauge	Plastic								

Hydraulic		
Maximum operating pressure	bar (psi)	10 (145)
Cracking pressure of the bypass valve	bar (psi)	3.5 ± 0.35 (50.7 ± 5)
Response pressure of the maintenance indicator	bar (psi)	2.2 ± 0.25 [31.9 ± 3.6]
Type of pressure measurement of the maintenance indicator		Backpressure
Hydraulic fluid temperature range	°C (°F)	-10 to +100 (+14 to +212)
Fatigue strength according to ISO 10771	Load cycles	> 10 ⁵ with max. operating pressure

Part Number	Description	Max. Quantity	Shipment (Business Days)
R928005837	1.0040 H10XL-A00-0-M	5	1
R928005855	1.0063 H10XL-A00-0-M	5	1
R928005873	1.0100 H10XL-A00-0-M	5	1
R928028572	1.0100 H16XL-A00-0-M	5	1
R928005891	1.0160 H10XL-A00-0-M	5	1
R928005927	1.0250 H10XL-A00-0-M	5	1
R928005963	1.0400 H10XL-A00-0-M	5	1
R928005999	1.0630 H10XL-A00-0-M	5	1
R928006035	1.1000 H10XL-A00-0-M	5	1
R928055219	10TEN0040-00000A00-V2,2-V-U4-F	3	10
R928040132	10TEN0040-H10XLA00-V2.2-M-U4	3	10
R928036298	10TEN0040-H10XLA00-V2.2-M-U4-F	3	10
R928055220	10TEN0063-00000A00-V2,2-V-U9-F	3	10
R928040133	10TEN0063-H10XLA00-V2.2-M-U9	3	10
R928036321	10TEN0063-H10XLA00-V2.2-M-U9-F	3	10
R928055221	10TEN0100-00000A00-V2,2-V-U9-F	3	10
R928019846	10TEN0100-H10XLA00-V2.2-M-R4	3	10
R928040134	10TEN0100-H10XLA00-V2.2-M-U9	3	10
R928036322	10TEN0100-H10XLA00-V2.2-M-U9-F	3	10
R928055222	10TEN0160-00000A00-V2,2-V-U6	3	10
R928044981	10TEN0160-H10XLA00-P2,2-M-U6	3	10
R928055223	10TEN0250-00000A00-V2,2-V-U6	3	10
R928046773	10TEN0250-H10XLA00-P2,2-M-U6	3	10
R928055224	10TEN0400-00000A00-V2,2-V-S8	3	10
R928041281	10TEN0400-H10XLA00-P2,2-M-S8	3	10
R928055225	10TEN0630-00000A00-V2,2-V-S9	3	10
R928041283	10TEN0630-H10XLA00-P2,2-M-S9	3	10
R928055226	10TEN1000-00000A00-V2,2-V-S10	3	10
R928041285	10TEN1000-H10XLA00-P2,2-M-S10	3	10
R928019705	71.001 P5-S00-0-0	5	1
R928038744	ACC-R-10TEN0040-0100-R110 (Discharge tube 110 mm long)	3	10
R928038745	ACC-R-10TEN0040-0100-R150 (Discharge tube 150 mm long)	3	10
R928038746	ACC-R-10TEN0040-0100-R250 (Discharge tube 250 mm long)	3	10
R928019224	M010 0-6 BAR (Gauge)	5	5

1) "Shipment" defined as – not to exceed the time from receipt of order to Bosch Rexroth Hydraulics to shipment ex-factory (Bosch Rexroth plant location).

GoTo Focused Delivery Program: Filtration Systems

Tank mounted return line filters and replacement filter elements

10 TEN 0040 to 1000

	<p>The tank mounted return line filters are designed for installation on fluid tanks. They serve the separation of solid materials from the whole fluid flowing back to the tanks.</p> <p>Replacement filter elements for Rexroth filters: Filter media for all applications made out of glassfiber-paper, filter-paper, wire mesh, non-wovens, and metal fiber.</p> <p>For complete engineering and design information: GoTo www.boschrexroth-us.com/GoTofilters</p>
---	--

Features

- Special highly efficient filter media
- Adsorption of very fine particles across a broad pressure differential range
- High dirt holding capacity thanks to large specific filter area
- Good chemical resistance of the filter elements
- High collapse resistance of the filter elements (e.g. in case of cold start)
- Filter ratings: 3...100 µm
- As standard, each filter is equipped with mechanical-optical maintenance indicator with memory function

Detailed information:
• RE51424

Technical Data

General									
Installation position		Vertical							
Ambient temperature range		°C [°F]	-30 to +100 (-22 to +212)						
Weight	Size	0040	0063	0100	0160	0250	0400	0630	1000
	kg (lbs)	1.4 (3.1)	1.6 (3.5)	1.8 (4.0)	4.5 (9.9)	5.0 (11)	8.0 (17.6)	10.0 (22)	18.0 (40)
Material	Filter cover	Carbon fiber reinforced plastic (sizes 0040...0100), Aluminum (sizes 0160...1000)							
	Filter head	Aluminum							
	Filter bowl	Carbon fiber reinforced plastic (sizes 0040...0630), Coated steel (size 1000)							
	Optical maintenance indicator (V2,2)	Aluminum							
	Electronic switching element	Plastic PA6							
	Pressure gauge	Plastic							

Hydraulic		
Maximum operating pressure	bar (psi)	10 (145)
Cracking pressure of the bypass valve	bar (psi)	3.5 ± 0.35 (50.7 ± 5)
Response pressure of the maintenance indicator	bar (psi)	2.2 ± 0.25 [31.9 ± 3.6]
Type of pressure measurement of the maintenance indicator		Backpressure
Hydraulic fluid temperature range	°C (°F)	-10 to +100 (+14 to +212)
Fatigue strength according to ISO 10771	Load cycles	> 10 ⁵ with max. operating pressure

Part Number	Description	Max. Quantity	Shipment (Business Days)
R928005837	1.0040 H10XL-A00-0-M	5	1
R928005855	1.0063 H10XL-A00-0-M	5	1
R928005873	1.0100 H10XL-A00-0-M	5	1
R928028572	1.0100 H16XL-A00-0-M	5	1
R928005891	1.0160 H10XL-A00-0-M	5	1
R928005927	1.0250 H10XL-A00-0-M	5	1
R928005963	1.0400 H10XL-A00-0-M	5	1
R928005999	1.0630 H10XL-A00-0-M	5	1
R928006035	1.1000 H10XL-A00-0-M	5	1
R928055219	10TEN0040-00000A00-V2,2-V-U4-F	3	10
R928040132	10TEN0040-H10XLA00-V2.2-M-U4	3	10
R928036298	10TEN0040-H10XLA00-V2.2-M-U4-F	3	10
R928055220	10TEN0063-00000A00-V2,2-V-U9-F	3	10
R928040133	10TEN0063-H10XLA00-V2.2-M-U9	3	10
R928036321	10TEN0063-H10XLA00-V2.2-M-U9-F	3	10
R928055221	10TEN0100-00000A00-V2,2-V-U9-F	3	10
R928019846	10TEN0100-H10XLA00-V2.2-M-R4	3	10
R928040134	10TEN0100-H10XLA00-V2.2-M-U9	3	10
R928036322	10TEN0100-H10XLA00-V2.2-M-U9-F	3	10
R928055222	10TEN0160-00000A00-V2,2-V-U6	3	10
R928044981	10TEN0160-H10XLA00-P2,2-M-U6	3	10
R928055223	10TEN0250-00000A00-V2,2-V-U6	3	10
R928046773	10TEN0250-H10XLA00-P2,2-M-U6	3	10
R928055224	10TEN0400-00000A00-V2,2-V-S8	3	10
R928041281	10TEN0400-H10XLA00-P2,2-M-S8	3	10
R928055225	10TEN0630-00000A00-V2,2-V-S9	3	10
R928041283	10TEN0630-H10XLA00-P2,2-M-S9	3	10
R928055226	10TEN1000-00000A00-V2,2-V-S10	3	10
R928041285	10TEN1000-H10XLA00-P2,2-M-S10	3	10
R928019705	71.001 P5-S00-0-0	5	1
R928038744	ACC-R-10TEN0040-0100-R110 (Discharge tube 110 mm long)	3	10
R928038745	ACC-R-10TEN0040-0100-R150 (Discharge tube 150 mm long)	3	10
R928038746	ACC-R-10TEN0040-0100-R250 (Discharge tube 250 mm long)	3	10
R928019224	M010 0-6 BAR (Gauge)	5	5

1) "Shipment" defined as – not to exceed the time from receipt of order to Bosch Rexroth Hydraulics to shipment ex-factory (Bosch Rexroth plant location).

GoTo Focused Delivery Program: Filtration Systems

Flexi-bowl™ line mounted filter housings

245 LE(N) 0040 to 400



The Flexi-bowl™ version of the inline filters come without filter elements in order to give customer flexibility, reduced inventory and lead times.

Must be purchased separately: Replacement filter elements for Rexroth filters: Filter media for all applications made out of glass-fiber-paper, filter-paper, wire mesh, non-wovens, and metafiber.

For complete engineering and design information:
GoTo www.boschrexroth-us.com/GoTofilters

Features

- Utilizes the customers choice of Rexroth filter elements
- Adsorption of very fine particles across a broad pressure differential range
- High dirt holding capacity thanks to large specific filter area
- Good chemical resistance of the filter elements
- High collapse resistance of the filter elements (e.g. in case of cold start)
- Filter ratings of 3 µm to 100 µm
- As standard, each filter is equipped with mechanical-optical maintenance indicator with memory function
- Flow-optimized design due to 3D computer-supported design
- Features patented Cyclone head design which extends element life 7–10%

Detailed information:

- RE51421

Technical Data

General					
Installation position		vertical			
Ambient temperature range		°C (°F)	–30 to +100 (–22 to +212)		
Weight	Size	0040	0063	0100	0130
	kg (lbs)	3.2 (7.1)	3.8 (8.4)	4.2 (9.3)	6.95 (15.3)
Weight	Size	0150	0160	0250	0400
	kg (lbs)	7.25 (16.0)	11.5 (25.4)	12.2 (26.9)	13.8 (30.4)
Material	Filter head	GGG			
	Filter bowl	Steel			
	Optical maintenance indicator	Brass			
	Electronic switching element	Plastic PA6			

Hydraulic		
Maximum operating pressure	bar (psi)	250 (3628)
Hydraulic fluid temperature range	°C (°F)	-10 to +100 (+14 to +212)
Fatigue strength according to ISO 10771	Load cycles	> 10 ⁶ with max. operating pressure
Cracking pressure of the bypass valve	bar (psi)	7 ± 0.5 (100 ± 7)
Type of pressure measurement of the maintenance indicator		Pressure differential
Response pressure of the maintenance indicator	bar (psi)	5 ± 0.5 (72 ± 7)

Part Number	Description	Max. Quantity	Shipment (Business Days)
R928006647	2.0040 H10XL-A00-0-M	5	1
R928006683	2.0040 H10XL-B00-0-V	5	1
R928006701	2.0063 H10XL-A00-0-M	5	1
R928006737	2.0063 H10XL-B00-0-V	5	1
R928006755	2.0100 H10XL-A00-0-M	5	1
R928006791	2.0100 H10XL-B00-0-V	5	1
R928022276	2.0130 H10XL-A00-0-M	5	1
R928022330	2.0130 H10XL-B00-0-V	5	1
R928022285	2.0150 H10XL-A00-0-M	5	1
R928022339	2.0150 H10XL-B00-0-V	5	1
R928006809	2.0160 H10XL-A00-0-M	5	1
R928006845	2.0160 H10XL-B00-0-V	5	1
R928006863	2.0250 H10XL-A00-0-M	5	1
R928006899	2.0250 H10XL-B00-0-V	5	1
R928006917	2.0400 H10XL-A00-0-M	5	1
R928006953	2.0400 H10XL-B00-0-V	5	1
R928030731	245LE0130-H10XLA00-V5.0-M-U5	3	10
R928030771	245LE0130-H10XLB00-V5.0-V-U5	3	10
R928030732	245LE0150-H10XLA00-V5.0-M-U5	3	10
R928030772	245LE0150-H10XLB00-V5.0-V-U5	3	10
R928055232	245LEN0040-00000A00-V5.0-V-U3	3	10
R928055234	245LEN0040-00000B00-V5.0-V-U3	3	10
R928030728	245LEN0040-H10XLA00-V5.0-M-U3	3	10
R928030768	245LEN0040-H10XLB00-V5.0-V-U3	3	10
R928055235	245LEN0063-00000A00-V5.0-V-U4	3	10
R928055236	245LEN0063-00000B00-V5.0-V-U4	3	10
R928030729	245LEN0063-H10XLA00-V5.0-M-U4	3	10
R928030769	245LEN0063-H10XLB00-V5.0-V-U4	3	10
R928055237	245LEN0100-00000A00-V5.0-V-U4	3	10
R928055238	245LEN0100-00000B00-V5.0-V-U4	3	10
R928030730	245LEN0100-H10XLA00-V5.0-M-U4	3	10
R928030770	245LEN0100-H10XLB00-V5.0-V-U4	3	10
R928055239	245LEN0130-00000A00-V5.0-V-U5	3	10
R928055240	245LEN0130-00000B00-V5.0-V-U5	3	10
R928055241	245LEN0150-00000A00-V5.0-V-U5	3	10

1) "Shipment" defined as – not to exceed the time from receipt of order to Bosch Rexroth Hydraulics to shipment ex-factory (Bosch Rexroth plant location).

Part Number	Description	Max. Quantity	Shipment (Business Days)
R928055242	245LEN0150-00000B00-V5,0-V-U5	3	10
R928055243	245LEN0160-00000A00-V5,0-V-U6	3	10
R928055244	245LEN0160-00000B00-V5,0-V-U6	3	10
R928030669	245LEN0160-H10XLA00-V5,0-M-S6	3	10
R928030733	245LEN0160-H10XLA00-V5,0-M-U6	3	10
R928030773	245LEN0160-H10XLB00-V5,0-V-U6	3	10
R928055245	245LEN0250-00000A00-V5,0-V-U6	3	10
R928055246	245LEN0250-00000B00-V5,0-V-U6	3	10
R928030670	245LEN0250-H10XLA00-V5,0-M-S6	3	10
R928030734	245LEN0250-H10XLA00-V5,0-M-U6	3	10
R928030774	245LEN0250-H10XLB00-V5,0-V-U6	3	10
R928055247	245LEN0400-00000A00-V5,0-V-U6	3	10
R928055249	245LEN0400-00000B00-V5,0-V-U6	3	10
R928030671	245LEN0400-H10XLA00-V5,0-M-S6	3	10
R928030735	245LEN0400-H10XLA00-V5,0-M-U6	3	10
R928030775	245LEN0400-H10XLB00-V5,0-V-U6	3	10
R900031155	Plug-in connector for WE type indicator	3	5
R928028409	WE-1SP-M12Z1	3	5
R928028410	WE-2SP-M12X1	3	5
R928028411	WE-2SPSU-M12X1	3	5

1) "Shipment" defined as – not to exceed the time from receipt of order to Bosch Rexroth Hydraulics to shipment ex-factory (Bosch Rexroth plant location).

GoTo Focused Delivery Program: Filtration Systems

Line mounted filters and replacement filter elements

245 LE(N) 0040 to 400

	<p>Line filters are used in hydraulic systems for separating solid materials from the hydraulic fluids and lubricating oils. They are intended for installation into pipelines.</p> <p>Replacement filter elements for Rexroth filters: Filter media for all applications made out of glassfiber-paper, filter-paper, wire mesh, non-wovens, and metal fiber.</p> <p>For complete engineering and design information: GoTo www.boschrexroth-us.com/GoTofilters</p>
---	---

Features

- Special highly efficient filter media
- Adsorption of very fine particles across a broad pressure differential range
- High dirt holding capacity thanks to large specific filter area
- Good chemical resistance of the filter elements
- High collapse resistance of the filter elements (e.g. in case of cold start)
- Filter ratings of 3 µm to 100 µm
- As standard, each filter is equipped with mechanical-optical maintenance indicator with memory function
- Flow-optimized design due to 3D computer-supported design
- Features patented Cyclone head design which extends element life 7–10%

Detailed information:
• RE51421

Technical Data

General					
Installation position		vertical			
Ambient temperature range		°C (°F) -30 to +100 (-22 to +212)			
Weight	Size	0040	0063	0100	0130
	kg (lbs)	3.2 (7.1)	3.8 (8.4)	4.2 (9.3)	6.95 (15.3)
Weight	Size	0150	0160	0250	0400
	kg (lbs)	7.25 (16.0)	11.5 (25.4)	12.2 (26.9)	13.8 (30.4)
Material	Filter head	GGG			
	Filter bowl	Steel			
	Optical maintenance indicator	Brass			
	Electronic switching element	Plastic PA6			

Hydraulic		
Maximum operating pressure	bar (psi)	250 (3628)
Hydraulic fluid temperature range	°C (°F)	-10 to +100 (+14 to +212)
Fatigue strength according to ISO 10771	Load cycles	> 10 ⁶ with max. operating pressure
Cracking pressure of the bypass valve	bar (psi)	7 ± 0.5 (100 ± 7)
Type of pressure measurement of the maintenance indicator		Pressure differential
Response pressure of the maintenance indicator	bar (psi)	5 ± 0.5 (72 ± 7)

Part Number	Description	Max. Quantity	Shipment (Business Days)
R928006647	2.0040 H10XL-A00-0-M	5	1
R928006683	2.0040 H10XL-B00-0-V	5	1
R928006701	2.0063 H10XL-A00-0-M	5	1
R928006737	2.0063 H10XL-B00-0-V	5	1
R928006755	2.0100 H10XL-A00-0-M	5	1
R928006791	2.0100 H10XL-B00-0-V	5	1
R928022276	2.0130 H10XL-A00-0-M	5	1
R928022330	2.0130 H10XL-B00-0-V	5	1
R928022285	2.0150 H10XL-A00-0-M	5	1
R928022339	2.0150 H10XL-B00-0-V	5	1
R928006809	2.0160 H10XL-A00-0-M	5	1
R928006845	2.0160 H10XL-B00-0-V	5	1
R928006863	2.0250 H10XL-A00-0-M	5	1
R928006899	2.0250 H10XL-B00-0-V	5	1
R928006917	2.0400 H10XL-A00-0-M	5	1
R928006953	2.0400 H10XL-B00-0-V	5	1
R928030731	245LE0130-H10XLA00-V5.0-M-U5	3	10
R928030771	245LE0130-H10XLB00-V5,0-V-U5	3	10
R928030732	245LE0150-H10XLA00-V5.0-M-U5	3	10
R928030772	245LE0150-H10XLB00-V5,0-V-U5	3	10
R928055232	245LEN0040-00000A00-V5,0-V-U3	3	10
R928055234	245LEN0040-00000B00-V5,0-V-U3	3	10
R928030728	245LEN0040-H10XLA00-V5.0-M-U3	3	10
R928030768	245LEN0040-H10XLB00-V5,0-V-U3	3	10
R928055235	245LEN0063-00000A00-V5,0-V-U4	3	10
R928055236	245LEN0063-00000B00-V5,0-V-U4	3	10
R928030729	245LEN0063-H10XLA00-V5.0-M-U4	3	10
R928030769	245LEN0063-H10XLB00-V5,0-V-U4	3	10
R928055237	245LEN0100-00000A00-V5,0-V-U4	3	10
R928055238	245LEN0100-00000B00-V5,0-V-U4	3	10
R928030730	245LEN0100-H10XLA00-V5.0-M-U4	3	10
R928030770	245LEN0100-H10XLB00-V5,0-V-U4	3	10
R928055239	245LEN0130-00000A00-V5,0-V-U5	3	10
R928055240	245LEN0130-00000B00-V5,0-V-U5	3	10
R928055241	245LEN0150-00000A00-V5,0-V-U5	3	10

1) "Shipment" defined as – not to exceed the time from receipt of order to Bosch Rexroth Hydraulics to shipment ex-factory (Bosch Rexroth plant location).

Part Number	Description	Max. Quantity	Shipment (Business Days)
R928055242	245LEN0150-00000B00-V5,0-V-U5	3	10
R928055243	245LEN0160-00000A00-V5,0-V-U6	3	10
R928055244	245LEN0160-00000B00-V5,0-V-U6	3	10
R928030669	245LEN0160-H10XLA00-V5,0-M-S6	3	10
R928030733	245LEN0160-H10XLA00-V5,0-M-U6	3	10
R928030773	245LEN0160-H10XLB00-V5,0-V-U6	3	10
R928055245	245LEN0250-00000A00-V5,0-V-U6	3	10
R928055246	245LEN0250-00000B00-V5,0-V-U6	3	10
R928030670	245LEN0250-H10XLA00-V5,0-M-S6	3	10
R928030734	245LEN0250-H10XLA00-V5,0-M-U6	3	10
R928030774	245LEN0250-H10XLB00-V5,0-V-U6	3	10
R928055247	245LEN0400-00000A00-V5,0-V-U6	3	10
R928055249	245LEN0400-00000B00-V5,0-V-U6	3	10
R928030671	245LEN0400-H10XLA00-V5,0-M-S6	3	10
R928030735	245LEN0400-H10XLA00-V5,0-M-U6	3	10
R928030775	245LEN0400-H10XLB00-V5,0-V-U6	3	10
R900031155	Plug-in connector for WE type indicator	3	5
R928028409	WE-1SP-M12Z1	3	5
R928028410	WE-2SP-M12X1	3	5
R928028411	WE-2SPSU-M12X1	3	5

1) "Shipment" defined as – not to exceed the time from receipt of order to Bosch Rexroth Hydraulics to shipment ex-factory (Bosch Rexroth plant location).

GoTo Focused Delivery Program: Filtration Systems

Line mounted filters and replacement filter elements

350 LE(N) 0040 to 1000

	<p>Line filters are used in hydraulic systems for separating solid materials from the hydraulic fluids and lubricating oils. They are intended for installation into pipelines.</p> <p>The 350LE(N) line filters are suitable for direct installation into pressure lines. They are mostly installed upstream open-loop or closed-loop control units to be protected.</p> <p>For complete engineering and design information: GoTo www.boschrexroth-us.com/GoTofilters</p>
---	--

Features

- Special highly efficient filter media
- Adsorption of very fine particles across a broad pressure differential range
- High dirt holding capacity thanks to large specific filter area
- Good chemical resistance of the filter elements
- High collapse resistance of the filter elements (e.g. in case of cold start)
- Filter ratings of 3 µm to 100 µm
- As standard, each filter is equipped with mechanical-optical maintenance indicator with memory function
- Flow-optimized version due to 3D computer-supported design
- Features patented Cyclone head design which extends element life 7–10%

Detailed information:

- RE51422

Technical Data

General						
Installation position		Vertical				
Ambient temperature range	°C (°F)	-30 to +100 (-22 to +212)				
Weight	Size	0040	0063	0100	0130	0150
	kg (lbs)	4.4 (9.7)	5.0 (11.0)	5.9 (13.0)	10.5 (23.1)	11.2 (24.7)
Weight	Size	0160	0250	0400	0630	1000
	kg (lbs)	17.2 (30.0)	19.5 (43.1)	23.0 (50.8)	45.0 (99.5)	93.0 (205.6)
Material	Filter head	GGG				
	Filter bowl	Steel				
	Optical maintenance indicator	Brass				
	Electronic switching element	Plastic PA6				

Hydraulic		
Maximum operating pressure	bar (psi)	350 (5100)
Hydraulic fluid temperature range	°C (°F)	-10 to +100 (+14 to +212) [shortly -30 (-22)]
Fatigue strength according to ISO 10771	Load cycles	> 10 ⁶ with max. operating pressure
Cracking pressure of the bypass valve	bar (psi)	7 ± 0.5 (100 ± 7)
Type of pressure measurement of the maintenance indicator		Pressure differential
Response pressure of the maintenance indicator	bar (psi)	5 ± 0.5 (72 ± 7)

Part Number	Description	Max. Quantity	Shipment (Business Days)
R928006647	2.0040H10XL-A00-0-M	5	1
R928006701	2.0063H10XL-A00-0-M	5	1
R928006755	2.0100 H10XL-A00-0-M	5	1
R928022276	2.0130H10XL-A00-0-M	5	1
R928022285	2.0150H10XL-A00-0-M	5	1
R928006809	2.0160H10XL-A00-0-M	5	1
R928006818	2.0160H10XL-B00-0-M	5	1
R928006863	2.0250H10XL-A00-0-M	5	1
R928006872	2.0250H10XL-B00-0-M	5	1
R928006917	2.0400H10XL-A00-0-M	5	1
R928006926	2.0400H10XL-B00-0-M	5	1
R928006971	2.0630H10XL-A00-0-M	5	1
R928007025	2.1000H10XL-A00-0-M	5	1
R928033731	350LE0130-H10XLA00-V5,0-M-U5	3	10
R928033732	350LE0150-H10XLA00-V5,0-M-U5	3	10
R928033728	350LEN0040-H10XLA00-V5,0-M-U3	3	10
R928033729	350LEN0063-H10XLA00-V5,0-M-U4	3	10
R928033730	350LEN0100-H10XLA00-V5,0-M-U4	3	10
R928033669	350LEN0160-H10XLA00-V5,0-M-S6	3	10
R928033733	350LEN0160-H10XLA00-V5,0-M-U6	3	10
R928033741	350LEN0160-H10XLB00-V5,0-M-U6	3	10
R928033670	350LEN0250-H10XLA00-V5,0-M-S6	3	10
R928033734	350LEN0250-H10XLA00-V5,0-M-U6	3	10
R928033742	350LEN0250-H10XLB00-V5,0-M-U6	3	10
R928033671	350LEN0400-H10XLA00-V5,0-M-S6	3	10
R928033735	350LEN0400-H10XLA00-V5,0-M-U6	3	10
R928033743	350LEN0400-H10XLB00-V5,0-M-U6	3	10
R928034512	350LEN0630-H10XLA00-V5,0-M-S8	3	10
R928034513	350LEN1000-H10XLA00-V5,0-M-S8	3	10
R900031155	Plug-in connector for WE type indicator	3	5
R928028409	WE-1SP-M12Z1	3	5
R928028410	WE-2SP-M12X1	3	5
R928028411	WE-2SPSU-M12X1	3	5

1) "Shipment" defined as – not to exceed the time from receipt of order to Bosch Rexroth Hydraulics to shipment ex-factory (Bosch Rexroth plant location).

GoTo Focused Delivery Program: Filtration Systems

Manifold mount pressure filter and replacement filter elements

245 PSF(N) 0040 to 0400

	<p>Manifold mounted filters are designed to be mounted directly on the pump outlet or control manifolds. They are installed upstream to protect open-loop and closed-loop control systems.</p> <p>Replacement filter elements for Rexroth filters: Filter media for all applications made out of glassfiber-paper, filter-paper, wire mesh, non-wovens, and metal fiber.</p> <p>For complete engineering and design information: GoTo www.boschrexroth-us.com/GoTofilters</p>
---	---

Features

- Special highly efficient filter media
- Adsorption of very fine particles across a broad pressure differential range
- High dirt holding capacity thanks to large specific filter area
- Good chemical resistance of the filter elements
- High collapse resistance of the filter elements (e.g. in case of cold start)
- Filter ratings of 3 µm to 100 µm
- As standard, each filter is equipped with mechanical-optical maintenance indicator with memory function
- Flow-optimized design due to 3D computer-supported design
- Features patented Cyclone head design which extends element life 7–10%

Detailed information:
• RE51418

Technical Data

General					
Installation position		Lateral			
Ambient temperature range		°C (°F)	–30 to +100 (–22 to +212)		
Weight	Size	0040	0063	0100	0130
	kg (lbs)	4.6 (10.1)	5.0 (11.0)	5.8 (12.8)	8.8 (19.4)
Weight	Size	0150	0160	0250	0400
	kg (lbs)	9.2 (20.3)	13.5 (29.8)	14.3 (31.5)	16.0 (35.3)
Material	Filter head	GGG			
	Filter bowl	Steel			
	Optical maintenance indicator	Brass			
	Electronic switching element	Plastic PA6			

Hydraulic		
Maximum operating pressure	bar (psi)	250 (3626)
Hydraulic fluid temperature range	°C (°F)	-10 to +100 (+14 to +212)
Fatigue strength according to ISO 10771	Load cycles	> 10 ⁶ with max. operating pressure
Cracking pressure of the bypass valve	bar (psi)	7 ± 0.5 (100 ± 7)
Type of pressure measurement of the maintenance indicator		Pressure differential
Response pressure of the maintenance indicator	psi	5 ± 0.5 (72 ± 7)

Part Number	Description	Max. Quantity	Shipment (Business Days)
R928006656	2.0040 H10XL-B00-0-M	5	1
R928006710	2.0063 H10XL-B00-0-M	5	1
R928006764	2.0100 H10XL-B00-0-M	5	1
R928022312	2.0130 H10XL-B00-0-M	5	1
R928022321	2.0150 H10XL-B00-0-M	5	1
R928006818	2.0160 H10XL-B00-0-M	5	1
R928006872	2.0250 H10XL-B00-0-M	5	1
R928006926	2.0400 H10XL-B00-0-M	5	1
R928024395	245 PSF 0130-H10XLB00-V5.0-M	3	10
R928024396	245 PSF 0150-H10XLB00-V5.0-M	3	10
R928024392	245 PSFN 0040-H10XLB00-V5.0-M	3	10
R928024393	245 PSFN 0063-H10XLB00-V5.0-M	3	10
R928024394	245 PSFN 0100-H10XLB00-V5.0-M	3	10
R928024397	245 PSFN 0160-H10XLB00-V5.0-M	3	10
R928024398	245 PSFN 0250-H10XLB00-V5.0-M	3	10
R928024399	245 PSFN 0400-H10XLB00-V5.0-M	3	10
R928028410	WE-2SP-M12X1	3	5

1) "Shipment" defined as – not to exceed the time from receipt of order to Bosch Rexroth Hydraulics to shipment ex-factory (Bosch Rexroth plant location).

GoTo Focused Delivery Program: Filtration Systems

Manifold mount pressure filter and replacement filter elements

350 PSF(N) 0040 to 1000

	<p>Manifold mounted filters are designed to be mounted directly on the pump outlet or control manifolds. They are installed upstream to protect open-loop and closed-loop control systems.</p> <p>Replacement filter elements for Rexroth filters: Filter media for all applications made out of glassfiber-paper, filter-paper, wire mesh, non-wovens, and metal fiber.</p> <p>For complete engineering and design information: GoTo www.boschrexroth-us.com/GoTofilters</p>
---	--

Features

- Special highly efficient filter media
- Adsorption of very fine particles across a broad pressure differential range
- High dirt holding capacity thanks to large specific filter area
- Good chemical resistance of the filter elements
- High collapse resistance of the filter elements (e.g. in case of cold start)
- Filter ratings of 3 µm to 100 µm
- As standard, each filter is equipped with mechanical-optical maintenance indicator with memory function
- Flow-optimized design due to 3D computer-supported design
- Features patented Cyclone head design which extends element life 7–10%

Detailed information:
• RE51419

Technical Data

General						
Installation position		Lateral				
Ambient temperature range		°C (°F) -30 to +100 (-22 to +212)				
Weight	Size	0040	0063	0100	0130	0150
	kg (lbs)	5.5 (12.1)	6.2 (13.6)	7.0 (15.4)	13.0 (28.6)	13.9 (30.6)
Weight	Size	0160	0250	0400	0630	1000
	kg (lbs)	18.5 (40.7)	20.5 (45.1)	24.5 (53.9)	41.2 (90.6)	87.0 (191.4)
Material	Filter head	GGG				
	Filter bowl	Steel				
	Optical maintenance indicator	Brass				
	Electronic switching element	Plastic PA6				

Hydraulic		
Maximum operating pressure	bar (psi)	350 (5100)
Hydraulic fluid temperature range	°C (°F)	-10 to +100 (+14 to +212) [shortly -30 (-22)]
Fatigue strength according to ISO 10771	Load cycles	> 10 ⁶ with max. operating pressure
Cracking pressure of the bypass valve	bar (psi)	7 ± 0.5 (100 ± 7)
Type of pressure measurement of the maintenance indicator		Pressure differential
Response pressure of the maintenance indicator	bar (psi)	5 ± 0.5 (72 ± 7)

Part Number	Description	Max. Quantity	Shipment (Business Days)
R928022312	2.0130 H10XL-B00-0-M	5	1
R928022321	2.0150 H10XL-B00-0-M	5	1
R928006818	2.0160 H10XL-B00-0-M	5	1
R928006872	2.0250 H10XL-B00-0-M	5	1
R928006926	2.0400 H10XL-B00-0-M	5	1
R928006980	2.0630 H10XL-B00-0-M	5	1
R928007034	2.1000 H10XL-B00-0-M	5	1
R928026493	350 PSF 0130-H10XLB00-V5.0-M	3	10
R928026494	350 PSF 0150-H10XLB00-V5.0-M	3	10
R928026495	350 PSFN 0160-H10XLB00-V5.0-M	3	10
R928026496	350 PSFN 0250-H10XLB00-V5.0-M	3	10
R928026497	350 PSFN 0400-H10XLB00-V5.0-M	3	10
R928026498	350 PSFN 0630-H10XLB00-V5.0-M	3	10
R928026499	350 PSFN 1000-H10XLB00-V5.0-M	3	10
R928028410	WE-2SP-M12X1	3	5

1) "Shipment" defined as – not to exceed the time from receipt of order to Bosch Rexroth Hydraulics to shipment ex-factory (Bosch Rexroth plant location).

GoTo Focused Delivery Program: Filtration Systems

Manifold mount pressure filter and replacement filter elements

450 PBFN 0040 to 1000

	<p>Manifold mounted filters are designed to be mounted directly on the pump outlet or control manifolds. They are installed upstream to protect open-loop and closed-loop control systems.</p> <p>Replacement filter elements for Rexroth filters: Filter media for all applications made out of glassfiber-paper, filter-paper, wire mesh, non-wovens, and metal fiber.</p> <p>For complete engineering and design information: GoTo www.boschrexroth-us.com/GoTofilters</p>
---	--

Features

- Special highly efficient filter media
- Adsorption of very fine particles across a broad pressure differential range
- High dirt holding capacity thanks to large specific filter area
- Good chemical resistance of the filter elements
- High collapse resistance of the filter elements (e.g. in case of cold start)
- Filter ratings of 3 µm to 100 µm
- As standard, each filter is equipped with mechanical-optical maintenance indicator with memory function
- Flow-optimized design due to 3D computer-supported design

Detailed information:
• RE51417

Technical Data

General						
Installation position		Vertical				
Ambient temperature range		°C (°F)	-30 to +100 (-22 to +212)			
Weight	Size	0040	0063	0100	0130	0150
	kg (lbs)	5 (11.0)	5.5 (12.1)	6.4 (14.1)	11.9 (26.2)	12.9 (28.4)
Weight	Size	0160	0250	0400	0630	1000
	kg (lbs)	15.9 (35.1)	16.5 (36.3)	19.9 (43.8)	37.5 (82.5)	48 (105.8)
Material	Filter head	GGG				
	Filter bowl	Steel				
	Optical maintenance indicator	Brass				
	Electronic switching element	Plastic PA6				

Hydraulic		
Maximum operating pressure	bar (psi)	450 (6530)
Hydraulic fluid temperature range	°C (°F)	-10 to +100 (+14 to +212)
Fatigue strength according to ISO 10771	Load cycles	> 10 ⁶ with max. operating pressure
Cracking pressure of the bypass valve	bar (psi)	7 ± 0.5 (100 ± 7)
Type of pressure measurement of the maintenance indicator		Pressure differential
Response pressure of the maintenance indicator	bar (psi)	5 ± 0.5 (72 ± 7)

Part Number	Description	Max. Quantity	Shipment (Business Days)
R928006654	2.0040 H3XL-B00-0-M	5	1
R928006708	2.0063 H3XL-B00-0-M	5	1
R928006762	2.0100 H3XL-B00-0-M	5	1
R928022310	2.0130 H3XL-B00-0-M	5	1
R928022319	2.0150 H3XL-B00-0-M	5	1
R928006816	2.0160 H3XL-B00-0-M	5	1
R928006870	2.0250 H3XL-B00-0-M	5	1
R928006924	2.0400 H3XL-B00-0-M	5	1
R928006978	2.0630 H3XL-B00-0-M	5	1
R928007032	2.1000 H3XL-B00-0-M	5	1
R928023331	450 PBFN 0040-H3XLB00-V5.0-M	3	10
R928023332	450 PBFN 0063-H3XLB00-V5.0-M	3	10
R928023333	450 PBFN 0100-H3XLB00-V5.0-M	3	10
R928023334	450 PBFN 0130-H3XLB00-V5.0-M	3	10
R928023335	450 PBFN 0150-H3XLB00-V5.0-M	3	10
R928023336	450 PBFN 0160-H3XLB00-V5.0-M	3	10
R928023337	450 PBFN 0250-H3XLB00-V5.0-M	3	10
R928023338	450 PBFN 0400-H3XLB00-V5.0-M	3	10
R928023339	450 PBFN 0630-H3XLB00-V5.0-M	3	10
R928023340	450 PBFN 1000-H3XLB00-V5.0-M	3	10

1) "Shipment" defined as – not to exceed the time from receipt of order to Bosch Rexroth Hydraulics to shipment ex-factory (Bosch Rexroth plant location).

GoTo Focused Delivery Program: Filtration Systems

Flexi-bowl™ block mounted sandwich filters

320 PZR 025 to 100

	<p>The Flexi-bowl™ version of the sandwich mount filters come without filter elements in order to give customers flexibility, reduced inventory and competitive lead times. Rexroth filter elements must be purchased separately. Standard filter media for sandwich filters is woven micro-fiberglass material.</p>
<p>For complete engineering and design information: GoTo www.boschrexroth-us.com/GoTofilters</p>	

Features

- Filter for sandwich plate mounting with filter bowl left or right
- Port patterns to ISO 4401, NG6 and NG10
- Cyclone effect flow path increases dirt holding capacity
- Filter elements feature stainless steel support mesh for high durability
- Various optical and electrical clogging indicators are available
- Non-bypass design for high system protection

Detailed information:
• RE51468

Technical Data

General				
Installation position		Sandwich plate mounting		
Ambient temperature range		°C (°F)	-10 ... +65 (+14 ... +149) (short-term ... -30 (-22))	
Storage conditions	- NBR seal	°C (°F)	-40 ... +65 (-40 ... +149); max. relative air humidity 65%	
	- FKM seal	°C (°F)	-20 ... +65 (-4 ... +149); max. relative air humidity 65%	
Weight	NS		06/025	10/075
	kg (lbs)		3.5 (7.7)	6.5 (14.4)
Volume	NS		06/025	10/075
	l (US gal)		0.14 (0.037)	0.35 (0.092)
Material	- Filter head		Ductile iron	
	- Filter bowl		Steel	
	- Seals		NBR or FKM	
	- Optical maintenance indicator V5.0; V8.0		Brass	
	- Electronic switching element		Plastic PA6	
Surface requirement tank hydraulic block	- Roughness depth Rz max.	µm	4	
	- Levelness tE max.	mm	0.01/100	

Hydraulic			
Maximum operating pressure	bar (psi)	320 (4641)	
Hydraulic fluid temperature range	°C (°F)	-10 ... +100 (+14 ... +212)	
Minimum conductivity of the medium	pS/m	300	
Fatigue strength according to ISO 10771	Load cycles	> 106 with max. operating pressure	
Type of pressure measurement of the maintenance indicator	Pressure differential		
Assignment: Response pressure of the maintenance indicator / cracking pressure of the bypass valve		Response pressure of the maintenance indicator	Cracking pressure of the bypass valve
	bar (psi)	5.0 ± 0.5 (72 ± 7)	not possible
	bar (psi)	8.0 ± 0.8 (116 ± 11.6)	

Part Number	Description	Max. Quantity	Shipment (Business Days)
R928051773	2.Z025 H10PZ-B00-0-M	5	1
R928051771	2.Z025 H3PZ-B00-0-M	5	1
R928053299	2.Z025 H6PZ-B00-0-M	5	1
R928051777	2.Z075 H10PZ-B00-0-M	5	1
R928051775	2.Z075 H3PZ-B00-0-M	5	1
R928051776	2.Z075 H6PZ-B00-0-M	5	1
R928051781	2.Z125 H10PZ-B00-0-M	5	1
R928051779	2.Z125 H3PZ-B00-0-M	5	1
R928051780	2.Z125 H6PZ-B00-0-M	5	1
R928055872	320PZR06/025-2X/00000B00-V8,0-V	3	10
R928055873	320PZR10/075-2X/00000B00-V8,0-V	3	10
R928055874	320PZR10/125-2X/00000B00-V8,0-V	3	10

1) "Shipment" defined as – not to exceed the time from receipt of order to Bosch Rexroth Hydraulics to shipment ex-factory (Bosch Rexroth plant location).

GoTo Focused Delivery Program: Filtration Systems

Desiccant air breathers

BFSK-2X

	<p>Highly efficient breather desiccant BFSK-2X filter provides true air filtration and dehumidification of incoming and outgoing air flow. The BFSK series filters capture very fine contaminant particles and provide high dirt holding capacity using a pleated, microglass element.</p> <p>For complete engineering and design information: GoTo www.boschrexroth-us.com/GoTofilters</p>
---	--

Description

- Sizes 25, 40, 80, 125
- Micro-glass filter element (3 microns) material provides true depth filtration
- Check valve option to extend the life of the desiccant
- Sturdy construction uses metal center tubes
- Maintenance indicator option for improved monitoring
- Desiccant material is non-toxic and non-carcinogenic
- Desiccant pack is replaceable on sizes 40, 80, 125
- Air filter element can be replaced on all sizes

Detailed information:
• RE51456

Technical Data

Size		25	40	80	125
Maximum pressure differential	PSIG	14.5			
Air filter – microglass	microns	3.0			
Weight	lbs	0.9	3.3	6.4	9
Silica gel (desiccant)	cm ³	100	600	1000	2000
Water absorption	ml	28	172	288	576
Check valve cracking pressure	PSIG	0.15			
Ambient temperature range	°F	-40 to 185			
Operating temperature	°F	-18 to 185			
Installation position		Vertical			

Part Number	Description	Max. Quantity	Shipment (Business Days)
R928049577	89.125-2X/H3V3-S00-0-M	5	1
R928049574	89.25-2X/H3V3-S00-0-M	5	1
R928049575	89.40-2X/H3V3-S00-0-M	5	1
R978918035	Adapter G 1-1/4 female to male G 1	3	10
R928049176	BFSK125-2X/H3V3-M-S-CV	3	10
R928049168	BFSK25-2X/H3V3-M-0-CV	3	10
R928049172	BFSK40-2X/H3V3-M-S-CV	3	10
R928049174	BFSK80-2X/H3V3-M-S-CV	3	10
R928049186	SPR-SP-BFSK125-2X/	3	10
R928049184	SPR-SP-BFSK40-2X/	3	10
R928049185	SPR-SP-BFSK80-2X/	3	10

1) "Shipment" defined as – not to exceed the time from receipt of order to Bosch Rexroth Hydraulics to shipment ex-factory (Bosch Rexroth plant location).

GoTo Focused Delivery Program: Filtration Systems

Breather filters:

BFS 7, BFS 20; BF 7 SL; FEF 0, FEF 1; TLF I, TLF III

	<p>Filtration and dehumidification of the intake air of industrial systems.</p> <p>Avoidance of initial damage in pumps and bearings, and system components.</p> <p>For complete engineering and design information: GoTo www.boschrexroth-us.com/GoTofilters</p>
---	--

Design

Model BF 7 SL

Breather filter with threaded filter cartridge and 10 micron pleated filter element.
Flange connection (BF 7 SL...).

Detailed information:

- RE51413
- RE51414
- RE51415

BFS 7, BFS 20

Compact design male thread breather with 10 micron pleated paper filter element.
Materials as per spare parts list.

Models FEF 0, FEF 1

Combination filler breather with mounting flange and filling filter (screen basket 500 µm) and removable cap with bayonet lock. The internal breather filter element is 40 µm. The filter element

is replaced by exchanging the whole metal cap. The breather cap is secured to the reservoir with a chain.

Materials as per spare parts list.

Models TLF I, TLF III

Removable filter breather housing with internal replaceable filter element. Filter element H10XL, H3XL up to a filtration rating of 10 µm and 3 µm with glass fiber material.

Materials as per spare parts list

Designs:

TLF I...: with female thread,

TLF III...: with male screw-in thread and filling filter (screen basket 130 µm).

Part Number	Description	Max. Quantity	Shipment (Business Days)
R928035939	7.004 H10XL-S00-0-M	5	1
R928036781	7.004 H3XL-S00-0-M	5	1
R928016626	7.006 H10XL-S00-0-M	5	1
R928016609	80.45/21 P10-S00-0-M	5	1
R928018790	BF 7 SL 130 P10-S00-000-00M00	3	10
R928018784	BF 7 SL 45/21 P10-S00-000-00M00	3	10
R928018787	BF 7 SL 90 P10-S00000-00M00	3	10
R928022920	BFS20 P10-F00	3	10
R928018808	FEF0 S10-F00	3	10
R928018811	FEF1 P10-F00	3	10
R928018828	TLFI 5-65H10XL-S00-000-00M00	3	10
R928041318	TLFI 5-65H3XL-S00-000-00M00	3	10
R928018831	TLFI 6-80H10XL-S00-000-00M00	3	10
R928018870	TLFIII 5-65H10XL-S00-000-00M00	3	10
R928036735	TLFIII 5-65H3XL-S00-000-00M00	3	10
R928018873	TLFIII 6-80H10XL-S00-000-00M00	3	10

1) "Shipment" defined as – not to exceed the time from receipt of order to Bosch Rexroth Hydraulics to shipment ex-factory (Bosch Rexroth plant location).

GoTo Focused Delivery Program: Filtration Systems

GoTo Analysis Kit

GTAK



Fluid contamination is a major factor that can cause premature failures of hydraulic systems and components. An effective fluid analysis program can identify contamination and other problems not visible to the naked eye. Once high levels of contaminants are confirmed, corrective actions can be undertaken prior to the advent of costly catastrophic equipment failures. The GTAK fluid analysis kit can be used to obtain a complete and comprehensive laboratory analysis on a customer supplied fluid sample. The GTAK kits are supplied with pre-addressed labels for shipment to any one of multiple labs located throughout the United States. Results are quick and can be obtained via email or on the internet. Trend analysis is possible and easy to obtain for continuous monitoring of equipment.

For more information:
GoTo www.boschrexroth-us.com/fluidtest

Description

- 8 oz ISO CLEAN sample jar
- Sample submittal form
- Shipping container
- Prepaid laboratory analysis
- Quick results sent via E-mail
- On-line trend analysis via Horizon system

Technical Data

Laboratory analysis included with every kit
Elemental Metal Analysis (24) by ICP
Viscosity @ 40°C
Viscosity @ 100°C
Viscosity Index
Acid Number
Oxidation/Nitration by FTIR
ISO 4406 Particle Count
Karl Fischer Water %

Part Number	Description	Max. Quantity	Shipment (Business Days)
R913039221	Fluid Analysis Kit & Bottle	3	10

GoTo Focused Delivery Program: Filtration Systems

Online particle monitor

OPM II



The OPM II is a visual particle monitor that measures the level of contamination and the purity trend of non-aggressive fluids based on the light-extinction principle. In operation, a laser radiates through the measuring cell, directed against a photo diode. As fluid particles pass through the laser beam, the reflected light is reduced and recorded accordingly. Due to the continuous purity monitoring, changes in a system are quickly identified and consequential damage can be avoided.

For more information:
GoTo www.boschrexroth-us.com/GoTofilters

Description

- Can be integrated into external systems, or operated independently
- Results can be transferred to a PC for better analysis
- Fluid cleanliness class is optionally displayed according to ISO 4406:99 or SAE AS4059E
- Temperature is measured via electronic circuit board
- Includes “operating hours” counter, that restarts counting at the last stored time before any interruption

Detailed information:

- RE51460

Technical Data

Operating conditions	- Admissible operating pressure	bar (psi)	Dynamic: 420 (6091) / Static: 600 (8702)
	- Ambient temperature	°C (°F)	-20...80 (-4...176)
	- Humidity	%	0 ... 95
Fluids	- Admissible fluids		Mineral and ester fluids; poly-alpha-olefins
	- Fluid temperature	°C (°F)	-20...80 (-4...176)
	- Fluid connections		2x threaded coupling AB20-11/K1 G1/4
	- Admissible flow	ml/min	50 ... 400
Wetted material			Stainless steel, sapphire, NBR
Sealing material			NBR
Voltage supply		V DC	9 ... 36
Current consumption		mA	Max. 300
Current outputs		mA	4 ... 20
Interfaces			RS 232, CANopen
Alarm contact			Open collector output
Electrical connection			8-pole connector M12x1
Measurement range according to ISO 4406:99			0 ... 24 (ordinal number)
Calibrated measurement range			10 ... 22 (ordinal number)
Measurement accuracy			±1.0 (ordinal number)

Part Number	Description	Max. Quantity	Shipment (Business Days)
R928052298	OPM II-1X-M	3	10

1) “Shipment” defined as – not to exceed the time from receipt of order to Bosch Rexroth Hydraulics to shipment ex-factory (Bosch Rexroth plant location).

GoTo Focused Delivery Program: Filtration Systems

Popular cross-over filter elements



Rexroth cross-over filter elements are designed to replace your existing products, even those manufactured by other companies. Rexroth filter elements present the highest quality option for separation of solid materials from the whole fluid flowing back into the tanks. All cross-over elements listed in this section have a maximum order quantity of five and will ship in one day.

For complete engineering and design information:
GoTo www.boschrexroth-us.com/GoTofilters

Description

- Designed for optimum flow characteristics to achieve reduced pressure drop
- Finest materials and manufacturing processes used yield highest available beta efficiencies
- Compatible with different oil types, including rapidly biodegradable hydraulic oils
- Element lifetime increased due to materials and design - get more from your investment

Part Number	Description	Max. Quantity	Shipment (Business Days)
R928005835	1.0040 H3XL-A00-0-M	5	1
R928005836	1.0040 H6XL-A00-0-M	5	1
R928005636	1.0045 G25-A00-0-M	5	1
R928005639	1.0045 H10XL-A00-0-M	5	1
R928005672	1.0060 G25-A00-0-M	5	1
R928005853	1.0063 H3XL-A00-0-M	5	1
R928005854	1.0063 H6XL-A00-0-M	5	1
R928005871	1.0100 H3XL-A00-0-M	5	1
R928005872	1.0100 H6XL-A00-0-M	5	1
R928005889	1.0160 H3XL-A00-0-M	5	1
R928005890	1.0160 H6XL-A00-0-M	5	1
R928005925	1.0250 H3XL-A00-0-M	5	1
R928005926	1.0250 H6XL-A00-0-M	5	1
R928005961	1.0400 H3XL-A00-0-M	5	1
R928005962	1.0400 H6XL-A00-0-M	5	1
R928005997	1.0630 H3XL-A00-0-M	5	1
R928005998	1.0630 H6XL-A00-0-M	5	1
R928006033	1.1000 H3XL-A00-0-M	5	1
R928006034	1.1000 H6XL-A00-0-M	5	1
R928045173	1.1401 G40-A00-0-M	5	1
R928017483	10.110LA H10XL-A00-6-M SO3000	5	1

1) "Shipment" defined as – not to exceed the time from receipt of order to Bosch Rexroth Hydraulics to shipment ex-factory (Bosch Rexroth plant location).

Part Number	Description	Max. Quantity	Shipment (Business Days)
R928017667	10.1300LA H10XL-A00-6-M SO3000	5	1
R928017668	10.1300LA H6XL-A00-6-M SO3000	5	1
R928017506	10.160LA H10XL-A00-6-M SO3000	5	1
R928017529	10.240LA H10XL-A00-6-M SO3000	5	1
R928017530	10.240LA H6XL-000-6-MSO3000	5	1
R928037731	10.2600LA H10XL-A00-0-M SO3000	5	1
R928017692	10.2600LA H3XL-000-6-MSO3000	5	1
R928017437	10.30LA H10XL-000-6-MSO3000	5	1
R928017552	10.330LA H10XL-A00-6-M SO3000	5	1
R928035218	10.330LA H10XL-A00-B6-M SO3000	5	1
R928017551	10.330LA H20XL-000-6-MSO3000	5	1
R928017538	10.330P10-000-6-M	5	1
R928017460	10.60LAH 10XL-000-6-MSO3000	5	1
R928017598	10.660LA H10XL-A00-6-M SO3000	5	1
R928017599	10.660LA H6XL-000-6-MSO3000	5	1
R928017621	10.850LA H10XL-000-6-MSO3000	5	1
R928016676	16.7500/R H10XL-S00-0-M	5	1
R928016674	16.7500/R H6XL-S00-0-M	5	1
R928019959	16.7500/R P10-S00-0-M	5	1
R928016677	16.7500/S H10XL-S00-0-M	5	1
R928016673	16.7500/S H3XL-S00-0-M	5	1
R928016675	16.7500/S H6XL-S00-0-M	5	1
R928016706	16.8300/S H10XL-S00-0-V	5	1
R928016716	16.8304/U H6XL-S00-0-M	5	1
R928016728	16.8304/U H6XL-S00-0-V	5	1
R928016804	16.8700/R H10XL-S00-0-M	5	1
R928016827	16.8900/TH10XL-S00-0-M	5	1
R928016950	16.9600/T H6XL-E00-0-M	5	1
R928045584	2.0005 G40-A00-0-V	5	1
R928006374	2.0020 G25-A00-0-M	5	1
R928006376	2.0020 H6XL-A00-0-M	5	1
R928006645	2.0040 H3XL-A00-0-M	5	1
R928006646	2.0040 H6XL-A00-0-M	5	1
R928006655	2.0040 H6XL-B00-0-M	5	1
R928006699	2.0063 H3XL-A00-0-M	5	1
R928006700	2.0063 H6XL-A00-0-M	5	1
R928006709	2.0063 H6XL-B00-0-M	5	1
R928006755	2.0100 H10XL-A00-0-M	5	1
R928006764	2.0100 H10XL-B00-0-M	5	1
R928006753	2.0100 H3XL-A00-0-M	5	1
R928006754	2.0100 H6XL-A00-0-M	5	1
R928006763	2.0100 H6XL-B00-0-M	5	1
R928022274	2.0130 H3XL-A00-0-M	5	1
R928022275	2.0130 H6XL-A00-0-M	5	1
R928022311	2.0130 H6XL-B00-0-M	5	1
R928022283	2.0150 H3XL-A00-0-M	5	1
R928022284	2.0150 H6XL-A00-0-M	5	1
R928022320	2.0150 H6XL-B00-0-M	5	1

1) "Shipment" defined as – not to exceed the time from receipt of order to Bosch Rexroth Hydraulics to shipment ex-factory (Bosch Rexroth plant location).

Part Number	Description	Max. Quantity	Shipment (Business Days)
R928006807	2.0160 H3XL-A00-0-M	5	1
R928006808	2.0160 H6XL-A00-0-M	5	1
R928006817	2.0160 H6XL-B00-0-M	5	1
R928006861	2.0250 H3XL-A00-0-M	5	1
R928006862	2.0250 H6XL-A00-0-M	5	1
R928006871	2.0250 H6XL-B00-0-M	5	1
R928006915	2.0400 H3XL-A00-0-M	5	1
R928006916	2.0400 H6XL-A00-0-M	5	1
R928006925	2.0400 H6XL-B00-0-M	5	1
R928006969	2.0630 H3XL-A00-0-M	5	1
R928006970	2.0630 H6XL-A00-0-M	5	1
R928006979	2.0630 H6XL-B00-0-M	5	1
R928007023	2.1000 H3XL-A00-0-M	5	1
R928007024	2.1000 H6XL-A00-0-M	5	1
R928007033	2.1000 H6XL-B00-0-M	5	1
R928019029	2.56 P10-A00-0-M	5	1
R928025500	2.90 H10XL-C00-0-M	5	1
R928022781	4.06 P10-A00-0-M	5	1
R928028012	4.10 G200-A00-0-M	5	1
R902603750	62.0056K H10XL-J00-0-V	5	1
R902603298	62.0056K H20XL-J00-0-V	5	1
R902603243	62.0125K H20XL-J00-0-V	5	1
R902603004	62.0180K H20XL-J00-0-V	5	1
R928019201	80.130 H6XL-S00-0-M	5	1
R928028010	80.30/20 P10-S00-0-V	5	1
R928028019	80.45/21 VS60-S00-0-M	5	1
R928016614	80.90 H10XL-S00-0-M	5	1
R928016612	80.90 P10-S00-0-M	5	1
R928028556	84.60 H10XL-S00-4-M	5	1
R928017144	9.110LA H10XL-A00-0-M SO3000	5	1
R928017143	9.110LA H20XL-A00-0-MSO3000	5	1
R928017145	9.110LA H6XL-A00-0-M SO3000	5	1
R928017210	9.160LA H10XL-A00-0-M SO3000	5	1
R928017218	9.160LA H10XL-F00-0-MSO3000	5	1
R928017211	9.160LA H6XL-A00-0-MSO3000	5	1
R928017219	9.160LA H6XL-F00-0-MSO3000	5	1
R928017243	9.240LA H10XL-A00-0-M SO3000	5	1
R928017251	9.240LA H10XL-F00-0-M SO3000	5	1
R928017253	9.240LA H3XL-F00-0-M SO3000	5	1
R928017276	9.280LA H10XL-A00-0-M SO3000	5	1
R928017275	9.280LA H20XL-A00-0-M SO3000	5	1
R928017074	9.30LA H10XL-A00-0-MSO3000	5	1
R928017085	9.30LA H20XL-F00-0-M SO3000	5	1
R928017088	9.30LA H3XL-F00-0-M SO3000	5	1
R928017309	9.330LA H10XL-A00-0-M SO3000	5	1
R928017317	9.330LA H10XL-F00-0-M SO3000	5	1
R928017319	9.330LA H3XL-F00-0-M SO3000	5	1
R928017310	9.330LA H6XL-A00-0-MSO3000	5	1

1) "Shipment" defined as – not to exceed the time from receipt of order to Bosch Rexroth Hydraulics to shipment ex-factory (Bosch Rexroth plant location).

Part Number	Description	Max. Quantity	Shipment (Business Days)
R928017318	9.330LA H6XL-F00-0-M SO3000	5	1
R928017111	9.60LA H10XL-A00-0-M SO3000	5	1
R928017119	9.60LA H10XL-F00-0-M SO3000	5	1
R928017120	9.60LA H6XL-F00-0-MSO3000	5	1
R928017408	9.660LA H10XL-A00-0-M SO3000	5	1
R928017416	9.660LA H10XL-F00-0-M SO3000	5	1
R928017417	9.660LA H6XL-F00-0-M SO3000	5	1
R928022726	99.183677 MB15-C00-0-M	5	1

1) "Shipment" defined as – not to exceed the time from receipt of order to Bosch Rexroth Hydraulics to shipment ex-factory (Bosch Rexroth plant location).

GoTo Focused Delivery Program: Accessories

Hydro-electric pressure switch

HED 8



Hydro-electric pressure switches of model HED 8 are piston-type pressure switches used to monitor a pressure value in a circuit. As a pressure value is achieved (rising or falling), the HED micro-switch changes state, which can be used as an indicator for the next sequential operation or shutdown. The HED microswitch is not a current carrying device; it is an actuator/sensor.

For complete engineering and design information:
GoTo www.boschrexroth-us.com/GoToaccess

Features

- For subplate mounting
- For in-pipe installation
- As vertical stacking element, position of ports to DIN 24340 form A
- In horizontal stacking assemblies
- Five pressure stages, optional
- Adjustment option:
 - Rotary knob with scale
- Cable socket with circuitry (indicator lamp) – separate order

Detailed information:

- RE50061

Technical Data

Operating pressure	p_{max}	bar (PSI)	630 (9100)
Switching frequency		cycles/hour	7200

Part Number	Description	Max. Quantity	Shipment (Business Days)
R901102706	HED 8 OA-2X/100K14	3	10
R901106257	HED 8 OA-2X/100K14/12	3	10
R901106512	HED 8 OA-2X/200K14/12	3	10
R901107091	HED 8 OA-2X/350K14/12	3	10
R901107332	HED 8 OA-2X/350K14KW/12	3	10
R901101698	HED 8 OA-2X/50K14	3	10
R901107793	HED 8 OA-2X/50K14/12	3	10
R901102360	HED 8 OH-2X/100K14	3	10
R901099808	HED 8 OH-2X/200K14	3	10
R901102362	HED 8 OH-2X/200K14S	3	10
R901101640	HED 8 OH-2X/350K14	3	10
R901102713	HED 8 OH-2X/350K14S	3	10
R901102349	HED 8 OH-2X/50K14	3	10
R901102747	HED 8 OP-2X/100K14	3	10
R901106509	HED 8 OP-2X/100K14S	3	10
R901106453	HED 8 OP-2X/350K14	3	10
R901091138	HED 8 OP-2X/350K14AS	3	10

1) "Shipment" defined as – not to exceed the time from receipt of order to Bosch Rexroth Hydraulics to shipment ex-factory (Bosch Rexroth plant location).

GoTo Focused Delivery Program: Accessories

Rotary angle sensor

VT-SWA-1



Rotary angle sensor for SYDFE. systems with integrated electronics (complete kit with sensor and evaluation electronics, magnet carrier and parts to be installed).

For complete engineering and design information:
GoTo www.boschrexroth-us.com/GoToaccess

Features

- Suitable for use in SYDFEE and SYDFEC systems (systems with integrated electronics) for sensing the swivel angle of the A10V(S)O...DFE... pump and conversion of the measured value into an electrical signal
- Contact-free acquisition of a rotary angle using a Hall-effect sensor
- Consisting of magnet carrier and sensor with integral electronics in the housing

Detailed information:

- RE30268

Technical Data

Operating voltage	U_o	V	-10.0 (reference voltage)
Current consumption	I	mA	~25
Measuring range	α	°C	±18
Output signal	U	V	-2 to -8

Part Number	Description	Max. Quantity	Shipment (Business Days)
R900868651	ASSEMBLY KIT VT-SWA-1-1X/SYDFEE &	5	5

1) "Shipment" defined as – not to exceed the time from receipt of order to Bosch Rexroth Hydraulics to shipment ex-factory (Bosch Rexroth plant location).

GoTo Focused Delivery Program: Accessories

Cable set Z31



Cable Set Z31 for on-board electronic valves with 7-pin connectors. This flexible cable has a nominal 9 mm outside diameter and it includes an overall shielded. The polyurethane jacket resists oil, many chemicals, and considerable abrasion. The high quality 7-pin connector is over-molded to the cable, for worry-free connection to the OBE valve.

For complete engineering and design information:
GoTo www.boschrexroth-us.com/GoToaccess

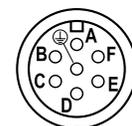
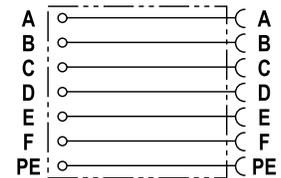
Features

- Black polyurethane jacket
- Flexible conductors with overall shield
- Flame retardant
- Halogen-free
- RoHS compliant
- UL Recognized for North America
- 3, 5, 10 meter lengths

Detailed information:
• RE08006

Technical Data

Mating connector and cable		
Number of poles		6 + PE
Standard interface		MIL-C 5015, VG 95 342
Protection class according to EN 60529 (mounted and fitted)		IP65 / IP67
Cable type		Li9Y11CVY
Wire cross-section	mm ² (AWG)	7 x 0.75 (17)
Shielding braid overlap	%	85 ± 5
Outside Diameter	mm	9 ± 0.2
Color code	PE (ground)	green-yellow
	Other conductors	A: brown, B: yellow, C: green D: blue, E: gray, F: white



Part Number	Description	Max. Quantity	Shipment (Business Days)
R901420496	CABLE SET 7P Z31 BF6 +10M (10 meter)	5	10
R901420483	CABLE SET 7P Z31 BF6 +3M (3 meter)	5	10
R901420491	CABLE SET 7P Z31 BF6 +5M (5 meter)	5	10

1) "Shipment" defined as – not to exceed the time from receipt of order to Bosch Rexroth Hydraulics to shipment ex-factory (Bosch Rexroth plant location).

GoTo Focused Delivery Program: Accessories

Electrical connectors, Bolt kits, and Subplates

GoTo www.boschrexroth-us.com/GoToaccess

Electrical connectors

Material No.	Description	Notes	Explanation
R901017011	3P Z4 M SW	Metric, PG thd	right angle connector, color black*
R901017022	3P Z5L M12 240V	Metric, PG thd	right angle connector w/ light, color black*
R901017026	3P Z5L1 M24V SPEZ	M16 X 1.5	right angle connector w/ light and zener diode protection, color black*
R901017025	3P RZ5 M24 240V	Metric, PG thd	right angle connector w/ rectifier, color black*
R900011039	3P Z45 B GDM201	NPT, 1/2" thd	right angle connector, color black*
R900057453	3P Z55L 12-240V	NPT, 1/2" thd	right angle connector w/ light, color black*
R900842566	3P RZ55 24	NPT, 1/2" thd	right angle connector w/ rectifier, color black*
R900057455	3P RZ55L 24-2 SPEZ&	NPT, 1/2" thd	right angle connector w/ rectifier and light, color black*
R900064381	4P Z24 M12X1	M12 X 1	straight plug cable (3m) for HM20, QM proximity switch*
R900021267	7P Z31 BF6-3PG11DSPEZ	Metric, PG thd	7-pin plastic, solder
R900223890	7P Z31 BF63PG11M SPEZ	PG11	Straight metal connector, solder contacts

R978713598	MS CONNECTOR FOR OBE VALVES		
1834484142	11P+PE / PG16	Metric, PG16	Plastic mating connector for OBE valves (crimp technique)
1834482022	6P+PE / PG11	Metric, PG11	Plastic mating connector for OBE valves (soldering technique)
1834482026	6P+PE / PG11	Metric, PG11	Plastic mating connector for OBE valves (crimping technique)

* See RE08006

Bolt kits

Material No.	Description	Notes	Explanation
R978833365	BK-(4) 10X24X2	WE6, WRAB(E)6, WRA(E)6, WRE(E)6	Bolt Kit; 4pcs of 10-24 x 2" long bolts
R978833366	BK-(4) 1/4X20X1-1/2	WE10, WRA(E)10, WRE(E)10	Bolt Kit; 4pcs of 1/4-20 x 1-1/2" long bolts
R978833367	BK-(4) 1/4X20X1-3/4	WEH10, WRZ(H)10, WRL(E)10	Bolt Kit; 4pcs of 1/4-20 x 1-3/4" long bolts
R978833395	BK-(4) 3/8X16X2-1/4-(2)1/4X20X2-1/4 SHCS	WEH16, WRZ(H)16, WRL(E)16	Bolt Kit; 4pcs of 3/8-16 x 2-1/4" + 2pcs of 1/4-20x 2-1/4" long bolts
R978833387	BK-(6) 1/2X13X2-1/2	WEH22, 25, WRZ(H)25, WRL(E)25	Bolt Kit; 6pcs of 1/2-13 x 2-1/2" long bolts

Subplates

Material No.	Description	Notes	Port sizes	Reference
R900341065	G 341/12	subplates to ISO 4401-3 – Size 6	NFPA D03 pattern; SAE-6 ports	RA45052
R900455128	G 342/12	subplates to ISO 4401-3 – Size 6	NFPA D03 pattern; SAE-8 ports	RA45052

Part Number	Description	Max. Quantity	Shipment (Business Days)
R901017025	3P RZ5 M24 240V	10	10
R900842566	3P RZ55 24	10	10
R900057455	3P RZ55L 24-2 SPEZ&	10	10
R901017011	3P Z4 M SW	10	10
R900011039	3P Z45 B GDM201	10	10
R900057453	3P Z55L 12-240V	10	10
R901017022	3P Z5L M12 240V	10	10
R901017026	3P Z5L1 M 24V SPEZ	10	10
R900064381	4P Z24M12X1 +3MSPEZ	10	10
R900021267	7P Z31 BF6-3PG11KSPEZ	10	10
R900223890	7P Z31 BF63PG11M SPEZ	10	10
R978833366	BK-(4) 1/4X20X1-1/2	3	10
R978833367	BK-(4) 1/4X20X1-3/4	3	10
R978833365	BK-(4) 10X24X2	3	10
R978833395	BK-(4) 3/8X16X2-1/4-(2)1/4X20X2-1/4 SHCS	3	10
R978833387	BK-(6) 1/2X13X2-1/2	3	10
R900341065	G 341/12	3	10
R900455128	G 342/12	5	10

1) "Shipment" defined as – not to exceed the time from receipt of order to Bosch Rexroth Hydraulics to shipment ex-factory (Bosch Rexroth plant location).

GoTo Focused Delivery Program: Accessories

Coils & handnuts – applicable to GoTo directional valves

GoTo www.boschrexroth-us.com/GoToaccess

Coils & handnuts

Material No.	SAP/Portal Description	Notes	Explanation
R978839349	Coil Assembly WZ45-4-L110V50HZ+ 120V60HZ	110/120 vac	For use with DIN connection WE6-6X/EW.....K4* valves
R900545268	Valve Solenoid WZ45-4-MVN110V50/60+&	110/120 vac	For use with WE6/EW110K4
R900020175	Solenoid Coil WZ45-4-L110V-50/60HZ&	110/120 vac	For use with WE6/EW110K4
R900021464	Solenoid Coil WZ45-3 110V &	110/120 vac	For use with central box WE6-6X/EW.....D* valves
R900020169	Nut WZ45-.-.M.N. SPEZ	all AC "WZ45"	Handnut for use with standard "N9" option AC valves, WE6-6X/EW
R901333224	Solenoid Coil 45-K4K-30G12 01	12 vdc	For use with DIN connection WE6-6X/EG.....K4* valves
R900021462	Solenoid Coil GZ45-3 12V	12 vdc	For use with central box WE6-6X/EG.....D* valves
R900021389	Solenoid Coil GZ45-4 24V	24 vdc	For use with DIN connection WE6-6X/EG.....K4* valves
R900021463	Solenoid Coil GZ45-3 24V	24 vdc	For use with central box WE6-6X/EG.....D* valves
R900029571	Nut GZ45-01M.N. SPEZ	all DC "GZ45"	Handnut for use with standard "N9" option DC valves, WE6-6X/EG
R900219602	Solenoid Coil WZ65-3 110V-50/ &	110/120 vac	For use with central box WE10-4X/CW.....D* valves
R900019816	Solenoid Coil WZ65-4-L110V-50/60HZ&	110/120 vac	For use with DIN connection WE10-3X/CW.....K4* valves
R900019801	Solenoid Coil WZ65-0-L110V-50/60HZ&	110/120 vac	For use with WE10-3X/CW110 D box
R900019840	Nut WZ65-.-LM.VN. SPEZ	all AC "WZ65"	Handnut for use with standard "N9" option AC valves, WE10-*X/CW
R900207929	Solenoid Coil GZ63-3 12V	12 vdc	For use with central box WE10-4X/CG.....D* valves
R900019792	Solenoid Coil GZ63-4 12V K4K	12 vdc	For use with DIN connection WE10-3X/CG.....K4* valves
R900217812	Solenoid Coil GZ63-3 24V	24 vdc	For use with central box WE10-4X/CG.....D* valves
R900019793	Solenoid Coil GZ63-4 24V	24 vdc	For use with DIN connection WE10-3X/CG.....K4* valves
R901232758	Solenoid Coil GZ63-K72L1-35G24 S00	24 vdc	For use with WE10-3X...K72L* valves
R900019841	Nut GZ63 M.VN.3K	all DC "GZ63"	Handnut for use with standard "N9" option DC valves, WE10-*X/CW
R901338900	Solenoid Coil 45-K4 -30G96 01	96 vdc	For use with DIN connection SED6+10 & SEW6+10.....K4* valves
R901333224	Solenoid Coil 45-K4K-30G12 01	12 vdc	For use with DIN connection SED6+10 & SEW6+10.....K4* valves
R900021389	Solenoid Coil GZ45-4 24V	24 vdc	For use with DIN connection SED6+10 & SEW6+10.....K4* valves

GoTo Focused Delivery Program: Accessories

Coils & handnuts (continued) – applicable to GoTo directional valves

GoTo www.boschrexroth-us.com/GoToaccess

Coils & handnuts

Material No.	SAP/Portal Description	Notes	Explanation
R901022180	Solenoid Coil 45-K4 – R3,3 00	12 V	For high-pressure valves with DIN connection and K4 plug
R901022174	Solenoid Coil 45-K4 – R7,2 00	24 V	For high-pressure valves with DIN connection and K4 plug
R901002932	Solenoid Coil 37-K4 – R2,3 00	12 V	For high-pressure valves with DIN connection and K4 plug
R901049962	Solenoid Coil 37-K4 – R11,500	24 V (800 mA)	For high-pressure valves with DIN connection and K4 plug
R901002319	Solenoid Coil 37-K4 – R4,8 00	24 V (1200 mA)	For high-pressure valves with DIN connection and K4 plug
R900991678	Solenoid Coil 37-K4 – 22G12 00	12 V	For high-pressure valves with DIN connection and K4 plug
R900991121	Solenoid Coil 37-K4 – 22G24 00	24 V	For high-pressure valves with DIN connection and K4 plug
R901003055	Solenoid Coil 37-K40 – R2,3 00	12 V	For high-pressure valves with Deutsch connection and K40 plug
R901050010	Solenoid Coil 37-K40 – R11,500	24 V (800 mA)	For high-pressure valves with Deutsch connection and K40 plug
R901003053	Solenoid Coil 37-K40 – R4,8 00	24 V (1200 mA)	For high-pressure valves with Deutsch connection and K40 plug
R900729189	Solenoid Coil 37-K40 – 22G12 00	12 V	For high-pressure valves with Deutsch connection and K40 plug
R900729190	Solenoid Coil 37-K40 – 22G24 00	24 V	For high-pressure valves with Deutsch connection and K40 plug
R901272648	Solenoid Coil 45-K40 – R3.3 00	12 V	For high-pressure valves with Deutsch connection and K40 plug
R901272647	Solenoid Coil 45-K40 – R7.2 00	24 V	For high-pressure valves with Deutsch connection and K40 plug

Part Number	Description	Max. Quantity	Shipment (Business Days)
R978839349	Coil Assembly WZ45-4-L110V50HZ+120V60HZ	3	10
R900029571	Nut GZ45-01M.N. SPEZ	3	10
R900019841	Nut GZ63 M.VN.3K	3	10
R900020169	Nut WZ45-.-M.N. SPEZ	3	10
R900019840	Nut WZ65-.-LM.VN. SPEZ	3	10
R901049962	Solenoid Coil 37-K4 - R11,500	3	10
R901002932	Solenoid Coil 37-K4 - R2,3 00	3	10
R901002319	Solenoid Coil 37-K4 - R4,8 00	3	10
R900991678	Solenoid Coil 37-K4 -22G12 00	3	10
R900991121	Solenoid Coil 37-K4 -22G24 00	3	10
R901050010	Solenoid Coil 37-K40 - R11,500	3	10
R901003055	Solenoid Coil 37-K40 - R2,3 00	3	10
R901003053	Solenoid Coil 37-K40 - R4,8 00	3	10
R900729189	Solenoid Coil 37-K40 -22G12 00	3	10
R900729190	Solenoid Coil 37-K40 -22G24 00	3	10
R901022180	Solenoid Coil 45-K4 - R3,3 00	3	10
R901022174	Solenoid Coil 45-K4 - R7,2 00	3	10
R901370939	Solenoid Coil 45-K4 -30G24 04	3	10
R901338900	Solenoid Coil 45-K4 -30G96 01	3	10
R901272648	Solenoid Coil 45-K40 - -R3.3 00	3	10
R901272647	Solenoid Coil 45-K40 - -R7.2 00	3	10
R901333224	Solenoid Coil 45-K4K-30G12 01	3	10
R901232758	Solenoid Coil 63-K72L1 -35G24 S00	3	5
R900021462	Solenoid Coil GZ45-3 12V	3	10
R900021463	Solenoid Coil GZ45-3 24V	3	10
R900021389	Solenoid Coil GZ45-4 24V	3	10
R900207929	Solenoid Coil GZ63-3 12V	3	10
R900217812	Solenoid Coil GZ63-3 24V	3	10
R900019792	Solenoid Coil GZ63-4 12V K4K	3	10
R900019793	Solenoid Coil GZ63-4 24V	3	10
R900021464	Solenoid Coil WZ45-3 110V &	3	10
R900020175	Solenoid Coil WZ45-4-L110V-50/60HZ&	3	10
R900019801	Solenoid Coil WZ65-0-L110V-50/60HZ&	3	10
R900219602	Solenoid Coil WZ65-3 110V-50/ &	3	10
R900019816	Solenoid Coil WZ65-4-L110V-50/60HZ&	3	10
R900545268	Valve Solenoid WZ45-4-MVN110V50/60+&	3	10

1) "Shipment" defined as – not to exceed the time from receipt of order to Bosch Rexroth Hydraulics to shipment ex-factory (Bosch Rexroth plant location).

GoTo Focused Delivery Program: Accessories

VT Patch Cord



Type VT Patch cords are used for connecting between a VT card faceplate test jack and an analog/digital meter for the purpose of measuring voltage of the amplifier card. They are supplied with a 2 mm (0.0787 in) diameter plug on one end and a 4 mm (0.157 in) diameter plug on the other. They are connected by a 100 cm (40 in) length of silicone insulated wire (0.55 sq. mm/20 AWG). Available in both red and black colors.

For complete engineering and design information:
GoTo www.boschrexroth-us.com/GoToaccess

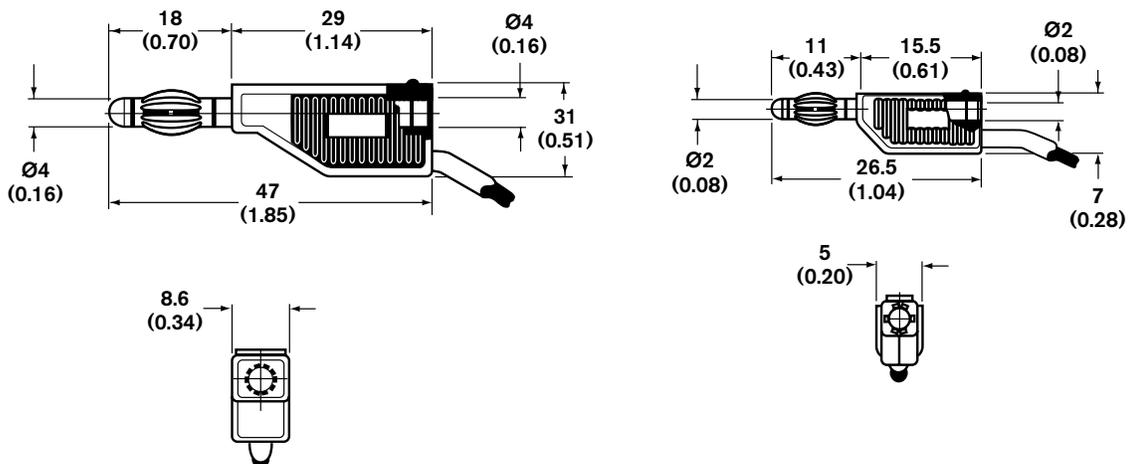
Features

- For servicing or troubleshooting
- Measures voltage of amplifier card via VT card test jack
- Can be used with Rexroth test point and system cards
- Red or black color

Detailed information:
• RA29785

Technical Data

Material No.	Description	Color
R978807707	VT PATCH CORD RED AK205/410 SIL 100CM	Red
R978807708	VT PATCH CORD BLK AK205/410 SIL 100CM	Black



Part Number	Description	Max. Quantity	Shipment (Business Days)
R978807708	VT PATCH CORD BLK AK205/410 SIL 100CM	5	10
R978807707	VT PATCH CORD RED AK205/410 SIL 100CM	5	10

1) "Shipment" defined as – not to exceed the time from receipt of order to Bosch Rexroth Hydraulics to shipment ex-factory (Bosch Rexroth plant location).

GoTo Focused Delivery Program: Aftermarket Parts

Seal kits

GoTo www.boschrexroth-us.com/GoToaccess

AZMF Seals

Part Number	Description
1510283065	ROTARY SHAFT LIP
1517010195	SEAL KIT

AZPF Seals

1517010152	SEAL KIT (BUNA)
1510283008	SHAFT SEAL (BUNA)

AZPN Seals

1510283023	ROTARY SHAFT LIP
1517010194	SEAL KIT

VPV Seal Kits

9511230597	SEAL KIT	VPV/25/32-210BAR	FKM SEALS
9511230605	SEAL KIT	VPV/16-210BAR	FKM SEALS
9511230658	SEAL KIT	VPV/45-80 210 BAR	FKM SEALS
9511230659	SEAL KIT	VPV/100-164 210 BAR	FKM SEALS
R978711814	VPV16 SAE COMBO PUMP KIT 210		
R978711842	KIT P1 VPV80 210 BAR PUMP REP.		
R978711849	KIT REPAIR VPV100/130 210BAR SAE		
R978711851	KIT REPAIR VPV100/130 210BAR SAE/P1		
R978711850	KIT REPAIR VPV164 210BAR SAE		
R978711852	KIT REPAIR VPV164 210BAR SAE/P1		
R978711838	KIT REPAIR VPV45/63 210BAR SAE		
R978711841	KIT REPAIR VPV45/63 210BAR SAE/P1		
R978711812	REPAIR KIT VPV16 SAE PUMP 210 9511230606		
R978711809	REPAIR KIT VPV25/32 SAE 210 9511230598		
R978711825	REPAIR KIT VPV25/32SAE P1 210 9511230623		
R978711840	REPAIR KIT VPV80 SAE 210 BAR 9511230641		

PV7 Seal Kits

R900891699	SEAL KIT	PV7-1X/100M/K
R900891704	SEAL KIT	PV7-1X/10M/K
R900891703	SEAL KIT	PV7-1X/16M
R900891702	SEAL KIT	PV7-1X/25M/K
R900891701	SEAL KIT	PV7-1X/40M/K
R900891700	SEAL KIT	PV7-1X/63M/K

GoTo Focused Delivery Program: Aftermarket Parts

Seal kits (continued)

GoTo www.boschrexroth-us.com/GoToaccess

A2F Seals

Part Number	Description
R987053790	SEAL KT A/AA2FM/O/E107-125/61-V
R987053791	SEAL KT A/AA2FM/O/E160-180/61-V
R987053779	SEAL KT A/AA2FM/O/E23-32/61-V
R987053787	SEAL KT A/AA2FM/O/E45/61-V
R987053788	SEAL KT A/AA2FM/O/E56-63/61-V
R987053789	SEAL KT A/AA2FM/O/E80-90/61-V
R987053786	SEAL KT A/AA2FM/O10-16/61-V

A4VG Seals

R987053882	SEAL KT AA4VG125/32-N
R987053887	SEAL KT AA4VG180/32-N
R987053936	SEAL KT AA4VG250/32-N
R987053885	SEAL KT AA4VG28/32-N
R987054641	SEAL KT AA4VG40/32-N
R987053884	SEAL KT AA4VG56/32-N
R987053886	SEAL KT AA4VG71/32-N
R987053883	SEAL KT AA4VG90/32-N

A4VS Seals

R902416678	SEAL KIT A4VS180/30-V pump only
R902416662	SEAL KIT .A4VS125/30-P pump only
R902416680	SEAL KIT .A4VS125/30-V pump only
R902416679	SEAL KIT .A4VS180/30-P pump only
R902416677	SEAL KIT .A4VS250/30-V pump only
R902416676	SEAL KIT A4VS250/30-P pump only

A6V Seals

R987054740	SEAL KT AA6VM107/63-V
R987053876	SEAL KT AA6VM160/63-V
R987053873	SEAL KT AA6VM55/63-V
R987053874	SEAL KT AA6VM80/63-V

GoTo Focused Delivery Program: Aftermarket Parts

Seal kits (continued)

GoTo www.boschrexroth-us.com/GoToaccess

Valve Seals

Part Number	Description
R900890976	SEAL KIT -10/3V (M7-22)
R961000472	SEAL KIT LC16A/B/DB/DR.-7X/
R900357571	SEAL KIT WE 6.5X/
R900306349	SEAL KIT WH 22.6X/7X/
R961000756	SEAL KIT HED80A/OH/OP1X/
R961000473	SEAL KIT LC16A/B/DB/DR.-7X/V
R961003070	SEAL KIT LC25.-5X/6X/
R961000474	SEAL KIT LC25A/B/DB/DR.-7X/
R961000475	SEAL KIT LC25A/B/DB/DR.-7X/V
R961000476	SEAL KIT LC32A/B/DB/DR.-7X/
R961000744	SEAL KIT LC40A/B/DB/DR.-7X/
R900314055	SEAL KIT LC40A/B/DB/DR-5X/6X/
R961000684	SEAL KIT SEW6.3X/.V M-2/3*
R900357578	SEAL KIT WE 10.3X/C
R900357579	SEAL KIT WE 10.3X/C/V
R900357572	SEAL KIT WE 6.5X/V
R900357573	SEAL KIT WE 6.6X/E
R900357574	SEAL KIT WE 6.6X/E/V
R900309825	SEAL KIT WH 22.6X/7X/V

Part Number	Description	Max. Quantity	Shipment (Business Days)
1510283065	AZMF Rotary Shaft Lip	3	10
1517010195	AZMF Seal Kit	3	10
1510283035	AZPF ROTARY SHAFT LIP	3	10
1517010152	AZPF Seal Kit	3	10
1510283008	AZPF Shaft Seal	3	10
1510283023	AZPN Rotary Shaft Lip	3	10
1517010194	AZPN Seal Kit	3	10
R900890976	Seal Kit -10/3V (M7-22)	3	3
R987053790	Seal Kit A/AA2FM/O/E107-125/61-V	3	3
R987053791	Seal Kit A/AA2FM/O/E160-180/61-V	3	3
R987053779	Seal Kit A/AA2FM/O/E23-32/61-V	3	3
R987053787	Seal Kit A/AA2FM/O/E45/61-V	3	3
R987053788	Seal Kit A/AA2FM/O/E56-63/61-V	3	3
R987053789	Seal Kit A/AA2FM/O/E80-90/61-V	3	3
R987053786	Seal Kit A/AA2FM/O10-16/61-V	3	3
R902416662	Seal Kit A4VS125/30-P pump only	3	10
R902416680	Seal Kit A4VS125/30-V pump only	3	10
R902416679	Seal Kit A4VS180/30-P pump only	3	10
R902416678	Seal Kit A4VS180/30-V pump only	3	10
R902416676	Seal Kit A4VS250/30-P pump only	3	10
R902416677	Seal Kit A4VS250/30-V pump only	3	10
R987053882	Seal Kit AA4VG125/32-N	3	10
R987053887	Seal Kit AA4VG180/32-N	3	10
R987053936	Seal Kit AA4VG250/32-N	3	10
R987053885	Seal Kit AA4VG28/32-N	3	10
R987054641	Seal Kit AA4VG40/32-N	3	10
R987053884	Seal Kit AA4VG56/32-N	3	10
R987053886	Seal Kit AA4VG71/32-N	3	10
R987053883	Seal Kit AA4VG90/32-N	3	10
R987054740	Seal Kit AA6VM107/63-V	3	10
R987053876	Seal Kit AA6VM160/63-V	3	10
R987053873	Seal Kit AA6VM55/63-V	3	10
R987053874	Seal Kit AA6VM80/63-V	3	10
R961000756	Seal Kit HED80A/OH/OP1X/	3	3
R961000472	Seal Kit LC16A/B/DB/DR.-7X/	3	3
R961000473	Seal Kit LC16A/B/DB/DR.-7X/V	3	3
R961003070	Seal Kit LC25.-5X/6X/	3	3
R961000474	Seal Kit LC25A/B/DB/DR.-7X/	3	3
R961000475	Seal Kit LC25A/B/DB/DR.-7X/V	3	3
R961000476	Seal Kit LC32A/B/DB/DR.-7X/	3	3
R961000744	Seal Kit LC40A/B/DB/DR.-7X/	3	3
R900314055	Seal Kit LC40A/B/DB/DR-5X/6X/	3	3
R900891699	Seal Kit PV7-1X/100M/K	3	5
R900891704	Seal Kit PV7-1X/10M/K	3	5
R900891703	Seal Kit PV7-1X/16M	3	5
R900891702	Seal Kit PV7-1X/25M/K	3	5
R900891701	Seal Kit PV7-1X/40M/K	3	5
R900891700	Seal Kit PV7-1X/63M/K	3	5

1) "Shipment" defined as – not to exceed the time from receipt of order to Bosch Rexroth Hydraulics to shipment ex-factory (Bosch Rexroth plant location).

Part Number	Description	Max. Quantity	Shipment (Business Days)
R961000684	Seal Kit SEW6.3X/.V M-2/3*	3	3
9511230659	Seal Kit VPV/100-164 210 BAR FKM	3	10
9511230605	Seal Kit VPV/16-210BAR FKM	3	10
9511230597	Seal Kit VPV/25/32-210BAR FKM	3	10
9511230658	Seal Kit VPV/45-80 210 BAR FKM	3	10
R900357578	Seal Kit WE 10.3X/C	3	3
R900357579	Seal Kit WE 10.3X/C/V	3	3
R900357571	Seal Kit WE 6.5X/	3	3
R900357572	Seal Kit WE 6.5X/V	3	3
R900357573	Seal Kit WE 6.6X/E	3	3
R900357574	Seal Kit WE 6.6X/E/V	3	3
R900306349	Seal Kit WH 22.6X/7X/	3	3
R900309825	Seal Kit WH 22.6X/7X/V	3	3

1) "Shipment" defined as – not to exceed the time from receipt of order to Bosch Rexroth Hydraulics to shipment ex-factory (Bosch Rexroth plant location).

GoTo Focused Delivery Program: Aftermarket Parts

A10 service parts kits for AA10VSO series 30 and 31

GoTo www.boschrexroth-us.com/GoToaftermarket

Size 18

Part Number	Description
R910941171	SEAL KIT (VITON)
R910948589	BEARING KIT
R910948590	ROTARY GROUP RH – RIGHT HAND ROTATION
R910948591	ROTARY GROUP LH – LEFT HAND ROTATION

Size 28

R910932983	SEAL KIT (VITON)
R910942158	BEARING KIT
R910947781	ROTARY GROUP RH – RIGHT HAND ROTATION
R910947782	ROTARY GROUP LH – LEFT HAND ROTATION

Size 45

R910932984	SEAL KIT (VITON)
R902487515	SEAL KIT (VITON) - SERIES 53
R910963478	SEAL KIT (BUNA)
R910942248	BEARING KIT
R910947730	ROTARY GROUP RH – RIGHT HAND ROTATION
R910947789	ROTARY GROUP LH – LEFT HAND ROTATION

Size 71

R910932985	SEAL KIT (VITON)
R910942250	BEARING KIT
R910947801	ROTARY GROUP RH – RIGHT HAND ROTATION
R910947802	ROTARY GROUP LH – LEFT HAND ROTATION

Size 100

R910941168	SEAL KIT (VITON)
R910948602	BEARING KIT
R910948603	ROTARY GROUP RH – RIGHT HAND ROTATION
R910948604	ROTARY GROUP LH – LEFT HAND ROTATION

Size 140

R910941170	SEAL KIT (VITON)
R910948615	BEARING KIT
R910948617	ROTARY GROUP RH – RIGHT HAND ROTATION
R910948618	ROTARY GROUP LH – LEFT HAND ROTATION

Part Number	Description	Max. Quantity	Shipment (Business Days)
R910948602	Bearing Set A10V100	3	10
R910948615	Bearing Set A10V140	3	10
R910948589	Bearing Set A10V18	3	10
R910942158	Bearing Set A10V28+VERP	3	10
R910942248	Bearing Set A10V45+VERP	3	10
R910942250	Bearing Set A10V71+VERP	3	10
R910948604	Rotary Group A10V100/31L	3	10
R910948603	Rotary Group A10V100/31R	3	10
R910948618	Rotary Group A10V140/31L	3	10
R910948617	Rotary Group A10V140/31R	3	10
R910948591	Rotary Group A10V18/31L	3	10
R910948590	Rotary Group A10V18/31R	3	10
R910947782	Rotary Group A10V28/31L+VERP	3	10
R910947781	Rotary Group A10V28/31R+VERP	3	10
R910947789	Rotary Group A10V45/31L+VERP	3	10
R910947730	Rotary Group A10V45/31R+VERP	3	10
R910947802	Rotary Group A10V71/31L+VERP	3	10
R910947801	Rotary Group A10V71/31R+VERP	3	10
R910941171	Seal Kit A10V 18 DFR /31V	3	10
R910932983	Seal Kit A10V 28 DFR-V KIT	3	10
R902487515	Seal Kit A10V 45 /53V	3	3
R910932984	Seal Kit A10V 45 DFLR/31V+VERP	3	10
R910932985	Seal Kit A10V 71 DFLR/31V+VERP	3	10
R910941168	Seal Kit A10V100 DFLR/31V	3	10
R910941170	Seal Kit A10V140 DFLR/31V	3	10
R910963478	Seal Kit AA10VO 45 /50-P	3	3

1) "Shipment" defined as – not to exceed the time from receipt of order to Bosch Rexroth Hydraulics to shipment ex-factory (Bosch Rexroth plant location).

GoTo Focused Delivery Program: Aftermarket Parts

Popular cross-over filter elements

GoTo www.boschrexroth-us.com/GoToaftermarket

Part Number	Description	Max. Quantity	Shipment (Business Days)
R928005835	1.0040 H3XL-A00-0-M	5	1
R928005836	1.0040 H6XL-A00-0-M	5	1
R928005636	1.0045 G25-A00-0-M	5	1
R928005639	1.0045 H10XL-A00-0-M	5	1
R928005672	1.0060 G25-A00-0-M	5	1
R928005853	1.0063 H3XL-A00-0-M	5	1
R928005854	1.0063 H6XL-A00-0-M	5	1
R928005871	1.0100 H3XL-A00-0-M	5	1
R928005872	1.0100 H6XL-A00-0-M	5	1
R928005889	1.0160 H3XL-A00-0-M	5	1
R928005890	1.0160 H6XL-A00-0-M	5	1
R928005925	1.0250 H3XL-A00-0-M	5	1
R928005926	1.0250 H6XL-A00-0-M	5	1
R928005961	1.0400 H3XL-A00-0-M	5	1
R928005962	1.0400 H6XL-A00-0-M	5	1
R928005997	1.0630 H3XL-A00-0-M	5	1
R928005998	1.0630 H6XL-A00-0-M	5	1
R928006033	1.1000 H3XL-A00-0-M	5	1
R928006034	1.1000 H6XL-A00-0-M	5	1
R928045173	1.1401 G40-A00-0-M	5	1
R928017483	10.110LA H10XL-A00-6-M SO3000	5	1
R928017667	10.1300LA H10XL-A00-6-M SO3000	5	1
R928017668	10.1300LA H6XL-A00-6-M SO3000	5	1
R928017506	10.160LA H10XL-A00-6-M SO3000	5	1
R928017529	10.240LA H10XL-A00-6-M SO3000	5	1
R928017530	10.240LA H6XL-000-6-MSO3000	5	1
R928037731	10.2600LA H10XL-A00-0-M SO3000	5	1
R928017692	10.2600LA H3XL-000-6-MSO3000	5	1
R928017437	10.30LA H10XL-000-6-MSO3000	5	1
R928017552	10.330LA H10XL-A00-6-M SO3000	5	1
R928035218	10.330LA H10XL-A00-B6-M SO3000	5	1
R928017551	10.330LA H20XL-000-6-MSO3000	5	1
R928017538	10.330P10-000-6-M	5	1
R928017460	10.60LAH 10XL-000-6-MSO3000	5	1
R928017598	10.660LA H10XL-A00-6-M SO3000	5	1
R928017599	10.660LA H6XL-000-6-MSO3000	5	1
R928017621	10.850LA H10XL-000-6-MSO3000	5	1
R928016676	16.7500/R H10XL-S00-0-M	5	1
R928016674	16.7500/R H6XL-S00-0-M	5	1

1) "Shipment" defined as – not to exceed the time from receipt of order to Bosch Rexroth Hydraulics to shipment ex-factory (Bosch Rexroth plant location).

Part Number	Description	Max. Quantity	Shipment (Business Days)
R928019959	16.7500/R P10-S00-0-M	5	1
R928016677	16.7500/S H10XL-S00-0-M	5	1
R928016673	16.7500/S H3XL-S00-0-M	5	1
R928016675	16.7500/S H6XL-S00-0-M	5	1
R928016706	16.8300/S H10XL-S00-0-V	5	1
R928016716	16.8304/U H6XL-S00-0-M	5	1
R928016728	16.8304/U H6XL-S00-0-V	5	1
R928016804	16.8700/R H10XL-S00-0-M	5	1
R928016827	16.8900/TH10XL-S00-0-M	5	1
R928016950	16.9600/T H6XL-E00-0-M	5	1
R928045584	2.0005 G40-A00-0-V	5	1
R928006374	2.0020 G25-A00-0-M	5	1
R928006376	2.0020 H6XL-A00-0-M	5	1
R928006645	2.0040 H3XL-A00-0-M	5	1
R928006646	2.0040 H6XL-A00-0-M	5	1
R928006655	2.0040 H6XL-B00-0-M	5	1
R928006699	2.0063 H3XL-A00-0-M	5	1
R928006700	2.0063 H6XL-A00-0-M	5	1
R928006709	2.0063 H6XL-B00-0-M	5	1
R928006755	2.0100 H10XL-A00-0-M	5	1
R928006764	2.0100 H10XL-B00-0-M	5	1
R928006753	2.0100 H3XL-A00-0-M	5	1
R928006754	2.0100 H6XL-A00-0-M	5	1
R928006763	2.0100 H6XL-B00-0-M	5	1
R928022274	2.0130 H3XL-A00-0-M	5	1
R928022275	2.0130 H6XL-A00-0-M	5	1
R928022311	2.0130 H6XL-B00-0-M	5	1
R928022283	2.0150 H3XL-A00-0-M	5	1
R928022284	2.0150 H6XL-A00-0-M	5	1
R928022320	2.0150 H6XL-B00-0-M	5	1
R928006807	2.0160 H3XL-A00-0-M	5	1
R928006808	2.0160 H6XL-A00-0-M	5	1
R928006817	2.0160 H6XL-B00-0-M	5	1
R928006861	2.0250 H3XL-A00-0-M	5	1
R928006862	2.0250 H6XL-A00-0-M	5	1
R928006871	2.0250 H6XL-B00-0-M	5	1
R928006915	2.0400 H3XL-A00-0-M	5	1
R928006916	2.0400 H6XL-A00-0-M	5	1
R928006925	2.0400 H6XL-B00-0-M	5	1
R928006969	2.0630 H3XL-A00-0-M	5	1
R928006970	2.0630 H6XL-A00-0-M	5	1
R928006979	2.0630 H6XL-B00-0-M	5	1
R928007023	2.1000 H3XL-A00-0-M	5	1
R928007024	2.1000 H6XL-A00-0-M	5	1
R928007033	2.1000 H6XL-B00-0-M	5	1
R928019029	2.56 P10-A00-0-M	5	1
R928025500	2.90 H10XL-C00-0-M	5	1
R928022781	4.06 P10-A00-0-M	5	1

1) "Shipment" defined as – not to exceed the time from receipt of order to Bosch Rexroth Hydraulics to shipment ex-factory (Bosch Rexroth plant location).

Part Number	Description	Max. Quantity	Shipment (Business Days)
R928028012	4.10 G200-A00-0-M	5	1
R902603750	62.0056K H10XL-J00-0-V	5	1
R902603298	62.0056K H20XL-J00-0-V	5	1
R902603243	62.0125K H20XL-J00-0-V	5	1
R902603004	62.0180K H20XL-J00-0-V	5	1
R928019201	80.130 H6XL-S00-0-M	5	1
R928028010	80.30/20 P10-S00-0-V	5	1
R928028019	80.45/21 VS60-S00-0-M	5	1
R928016614	80.90 H10XL-S00-0-M	5	1
R928016612	80.90 P10-S00-0-M	5	1
R928028556	84.60 H10XL-S00-4-M	5	1
R928017144	9.110LA H10XL-A00-0-M SO3000	5	1
R928017143	9.110LA H20XL-A00-0-MSO3000	5	1
R928017145	9.110LA H6XL-A00-0-M SO3000	5	1
R928017210	9.160LA H10XL-A00-0-M SO3000	5	1
R928017218	9.160LA H10XL-F00-0-MSO3000	5	1
R928017211	9.160LA H6XL-A00-0-MSO3000	5	1
R928017219	9.160LA H6XL-F00-0-MSO3000	5	1
R928017243	9.240LA H10XL-A00-0-M SO3000	5	1
R928017251	9.240LA H10XL-F00-0-M SO3000	5	1
R928017253	9.240LA H3XL-F00-0-M SO3000	5	1
R928017276	9.280LA H10XL-A00-0-M SO3000	5	1
R928017275	9.280LA H20XL-A00-0-M SO3000	5	1
R928017074	9.30LA H10XL-A00-0-MSO3000	5	1
R928017085	9.30LA H20XL-F00-0-M SO3000	5	1
R928017088	9.30LA H3XL-F00-0-M SO3000	5	1
R928017309	9.330LA H10XL-A00-0-M SO3000	5	1
R928017317	9.330LA H10XL-F00-0-M SO3000	5	1
R928017319	9.330LA H3XL-F00-0-M SO3000	5	1
R928017310	9.330LA H6XL-A00-0-MSO3000	5	1
R928017318	9.330LA H6XL-F00-0-M SO3000	5	1
R928017111	9.60LA H10XL-A00-0-M SO3000	5	1
R928017119	9.60LA H10XL-F00-0-M SO3000	5	1
R928017120	9.60LA H6XL-F00-0-MSO3000	5	1
R928017408	9.660LA H10XL-A00-0-M SO3000	5	1
R928017416	9.660LA H10XL-F00-0-M SO3000	5	1
R928017417	9.660LA H6XL-F00-0-M SO3000	5	1
R928022726	99.183677 MB15-C00-0-M	5	1

1) "Shipment" defined as – not to exceed the time from receipt of order to Bosch Rexroth Hydraulics to shipment ex-factory (Bosch Rexroth plant location).

GoTo Focused Delivery Program: Aftermarket Parts

Rineer service part kits

GoTo www.boschrexroth-us.com/GoToaftermarket

BR Material #	Type of Kit	Description	
R986V02033	Spring Pack	M015 KT-SP-0150931	1 complete spring kit
R986V02035	Spring Pack	M037 KT-SP-0370936	1 complete spring kit
R986V02036	Spring Pack	M125 KT-SP-1250930	1 complete spring kit
R986V02037	Spring Pack	M125 KT-SP-1250993	1 complete spring kit
R986V04286	Service Kit	5/16 BALL CHECKS	12 pieces
R986V04287	Service Kit	M015 STD TIMING PLTS	2 pieces
R986V04288	Service Kit	M037 C62 TIMING PLTS	2 pieces
R986V04289	Service Kit	M125 PC TIMING PLTS	2 pieces
R986V02047	Service Kit	VANES 1250961PC	1 complete vane & spring kit
R986V02038	Service Kit	VANES V0150930	1 complete vane & spring kit
R986V02041	Service Kit	VANES V0371914PC	1 complete vane & spring kit
R986V02050	Service Kit	VANES V1251962-2S	1 complete vane & spring kit
R986V01643	Seal Kit	M015 KT-SE-0150004	1 complete seal kit
R986V01651	Seal Kit	M015 KT-SE-0150940	1 complete seal kit
R986V01687	Seal Kit	M037 KT-SE-0370973	1 complete seal kit
R986V01689	Seal Kit	M037 KT-SE-0370979	1 complete seal kit
R986V01690	Seal Kit	M037 KT-SE-0370982	1 complete seal kit
R986V01696	Seal Kit	M037 KT-SE-0371917	1 complete seal kit
R986V01747	Seal Kit	M125 KT-SE1250997	1 complete seal
R986V04301	Seal Kit	O-RINGS 2-160 NBR	12 pieces

Part Number	Description	Max. Quantity	Shipment (Business Days)
R986V04286	5/16 BALL CHECKS	3	10
R986V01643	M015 KT-SE-0150004	3	10
R986V01651	M015 KT-SE-0150940	3	10
R986V02033	M015 KT-SP-0150931	3	10
R986V04287	M015 STD TIMING PLTS	3	10
R986V04288	M037 C62 TIMING PLTS	3	10
R986V01687	M037 KT-SE-0370973	3	10
R986V01689	M037 KT-SE-0370979	3	10
R986V01690	M037 KT-SE-0370982	3	10
R986V01696	M037 KT-SE-0371917	3	10
R986V02035	M037 KT-SP-0370936	3	10
R986V01747	M125 KT-SE1250997	3	10
R986V02036	M125 KT-SP-1250930	3	10
R986V02037	M125 KT-SP-1250993	3	10
R986V04289	M125 PC TIMING PLTS	3	10
R986V04301	O-RINGS 2-160 NBR	3	10
R986V01702	SE0371920	3	10
R986V02047	VANES 1250961PC	3	10
R986V02038	VANES V0150930	3	10
R986V02041	VANES V0371914PC	3	10
R986V02050	VANES V1251962-2S	3	10

1) "Shipment" defined as – not to exceed the time from receipt of order to Bosch Rexroth Hydraulics to shipment ex-factory (Bosch Rexroth plant location).

Bosch Rexroth USA

Headquarters
14001 South Lakes Drive
Charlotte, NC 28273
Telephone (800) REXROTH
(800) 739-7684
info@boschrexroth-us.com
www.boschrexroth-us.com/goto

Bosch Rexroth Canada

Headquarters
490 Prince Charles Drive South
Welland, ON L3B 5X7
Telephone (855) REXROTH
(855) 739-7684
info@boschrexroth.ca
www.boschrexroth.ca/goto

Bosch Rexroth Mexico

Av. Tejocotes y camino Viejo a la Lumbra S/N LT2
Col. San Martin Obispo
Cautitlán Izcalli, Estado de México.
C.P. 54769
México
Telephone: +52 (55) 57 47 0800
info.dcmx@boschrexroth.com.mx
www.boschrexroth.com.mx/goto